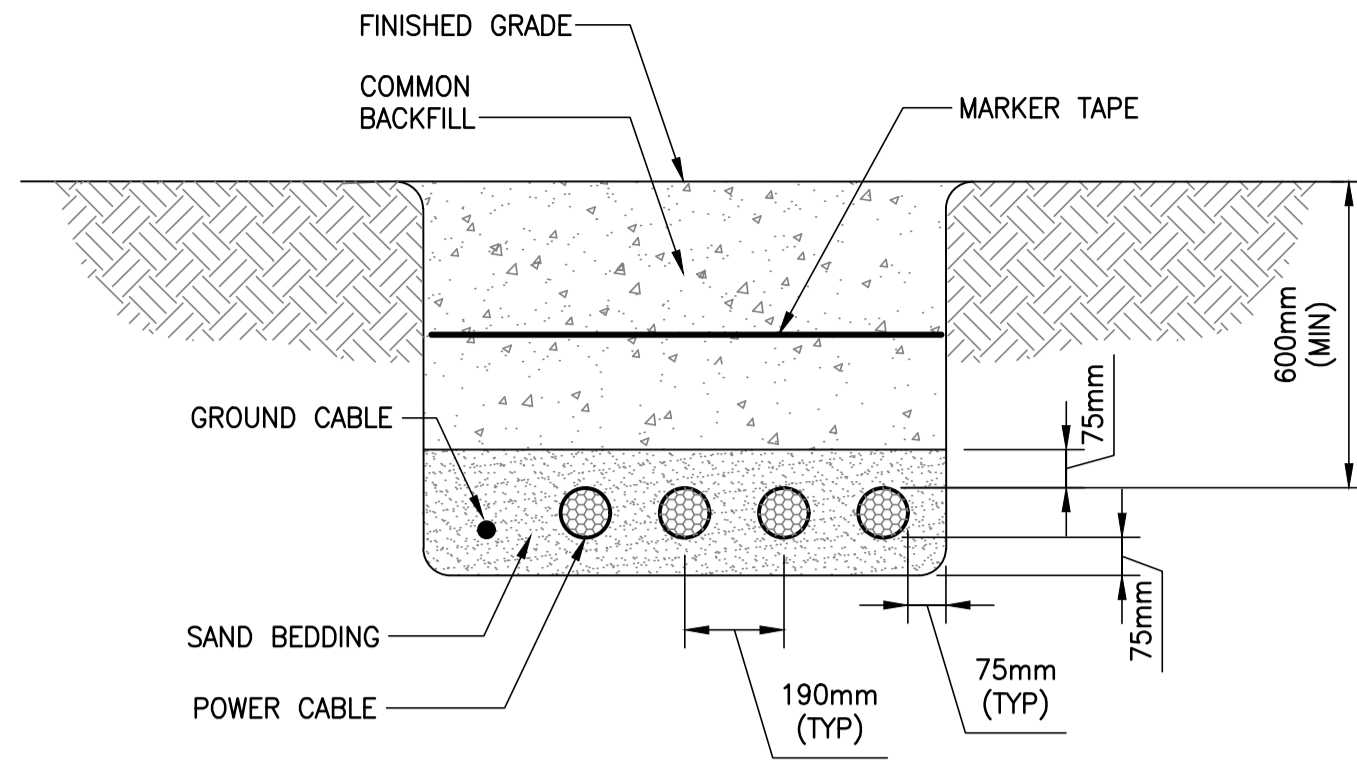
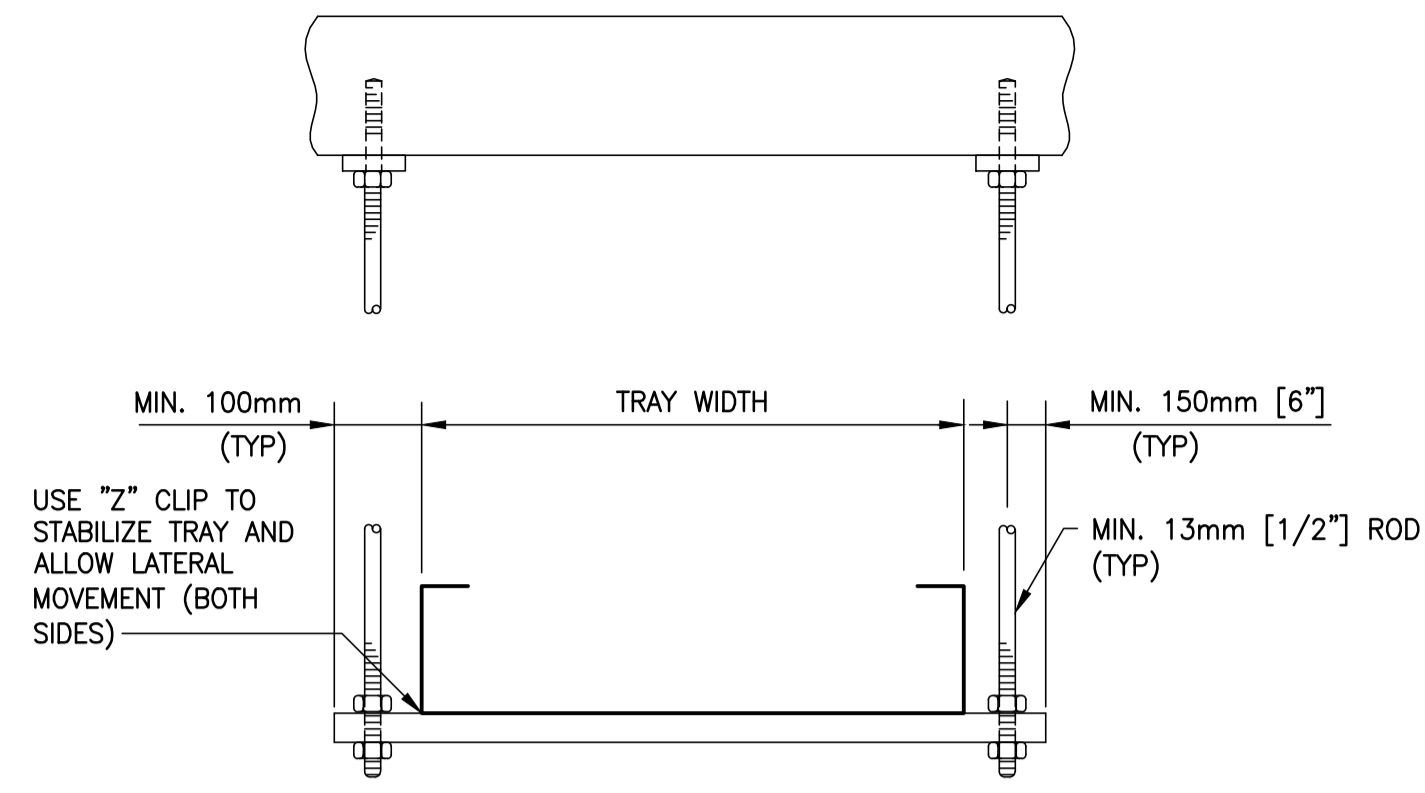


A GROUND ROD DETAIL
E0006 SCALE: N.T.S.



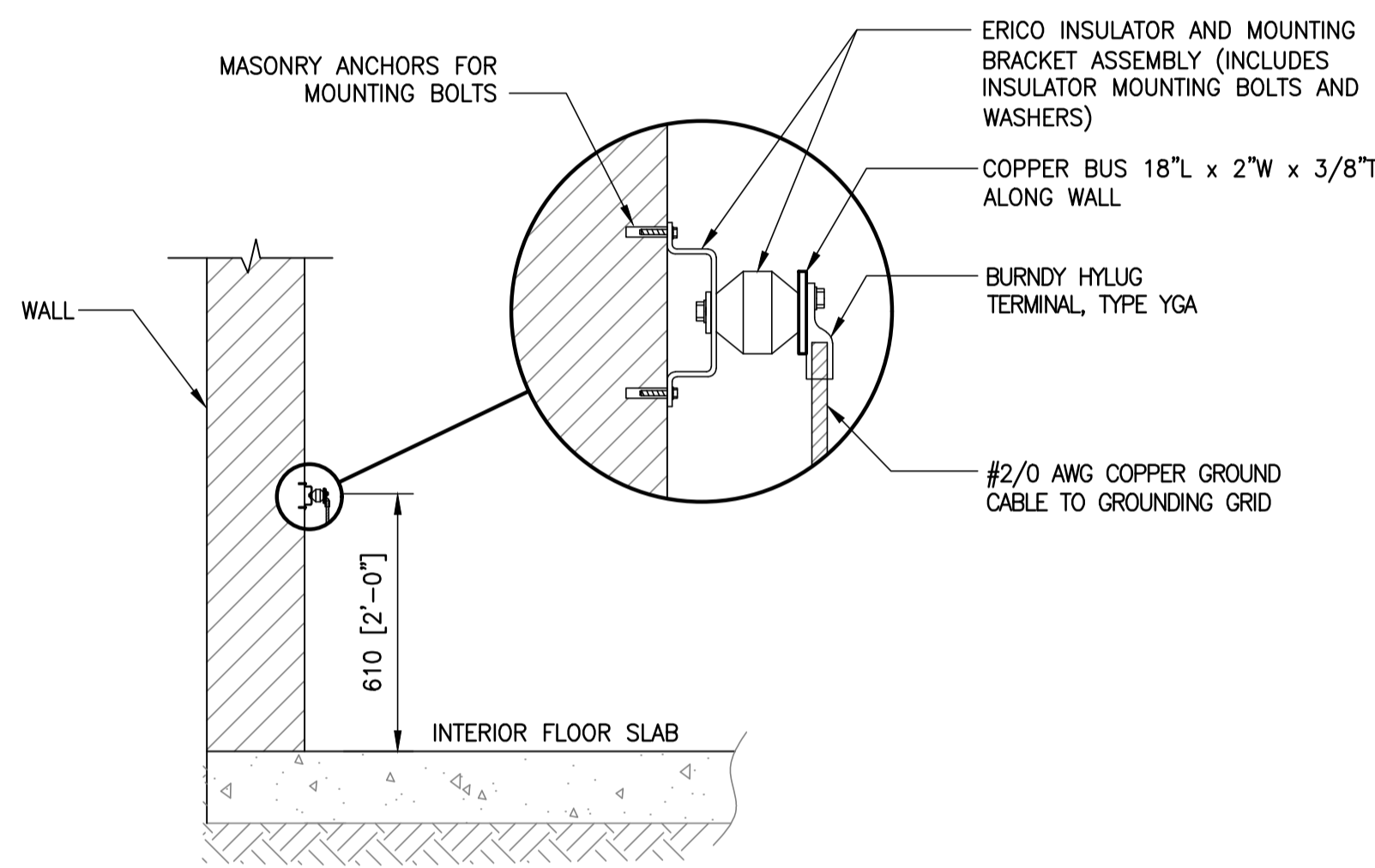
B CABLE TRENCH DETAIL
E0006 SCALE: N.T.S.



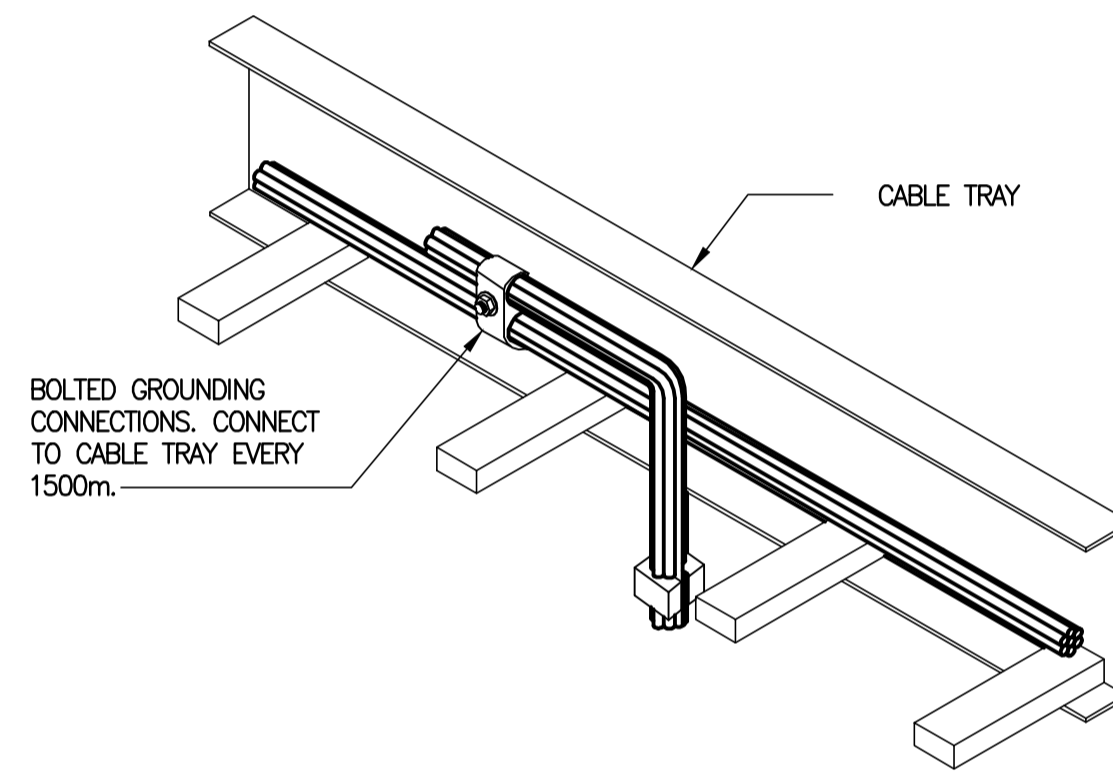
C HORIZONTAL CABLE TRAY MOUNTING DETAIL
SCALE: N.T.S. (NOTE 1)

NOTES:

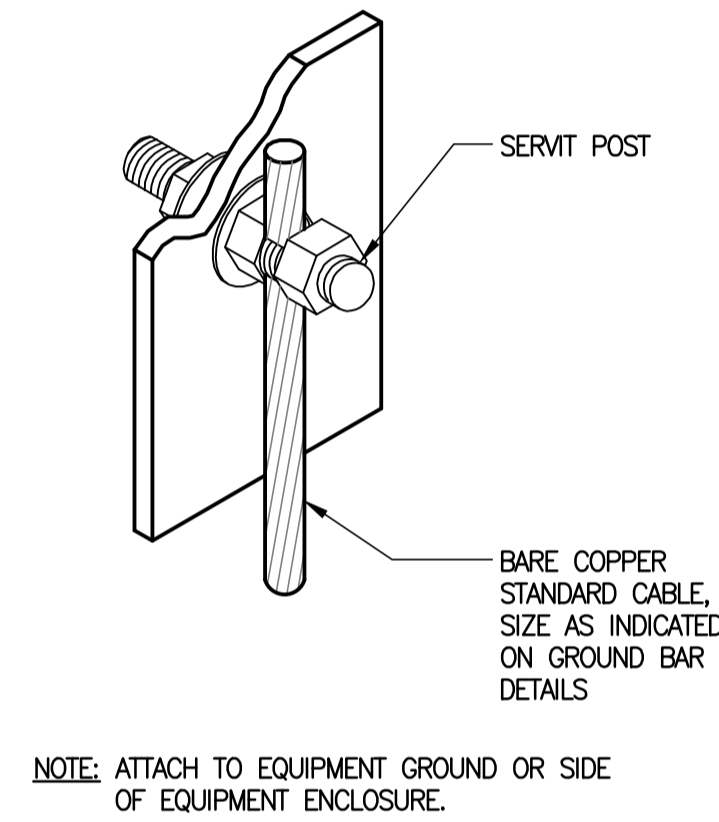
- ADJUST DESIGN TO SUIT FIELD CONDITIONS.
- PAD AND FOUNDATION DESIGN FOR PADMOUNTED SWITCHGEAR BY STRUCTURAL COMPOSITE TECHNOLOGIES LTD. INSTALLED ACCORDING TO MANUFACTURERS INSTRUCTIONS. ALLOW APPROXIMATELY 1000mm OF CABLE SLACK FOR ALL PRIMARY, SECONDARY AND CONTROL CABLES.



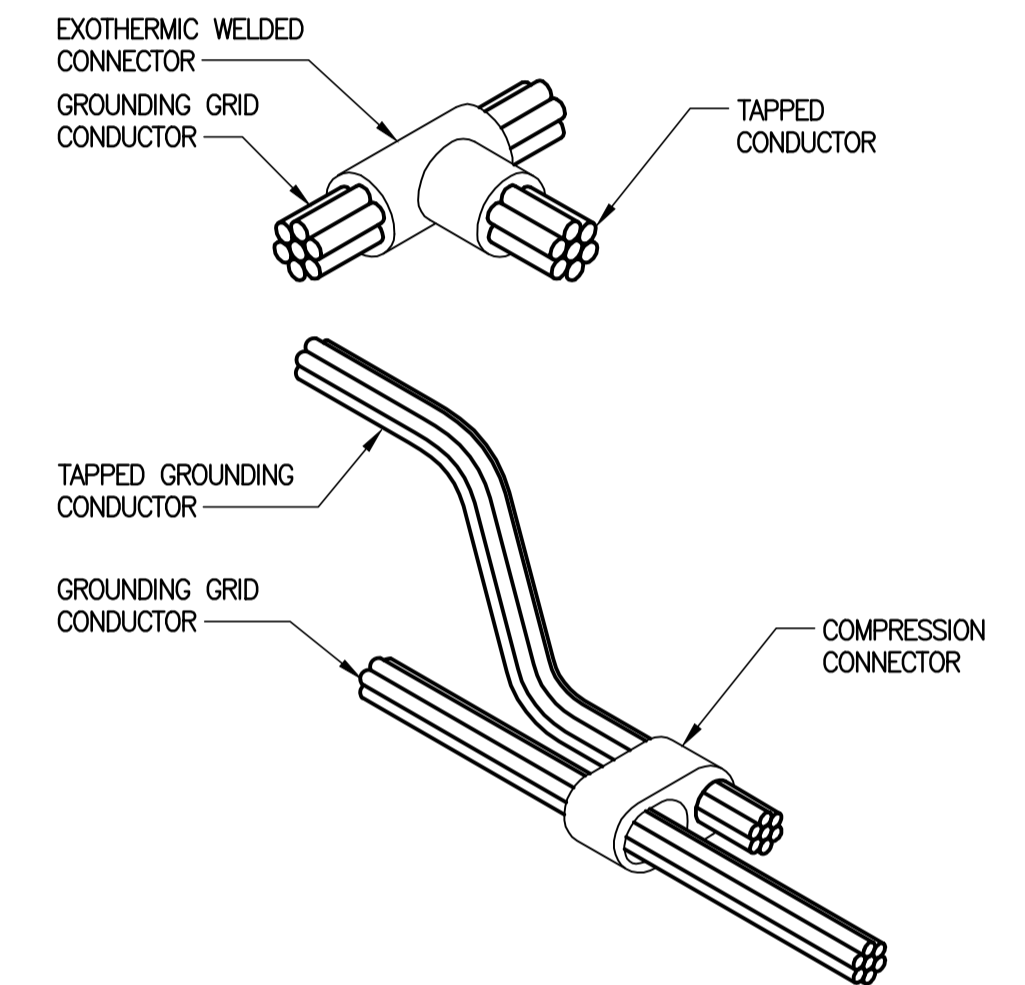
D GROUND BUS DETAIL AND SECTION
E0008 SCALE: N.T.S.



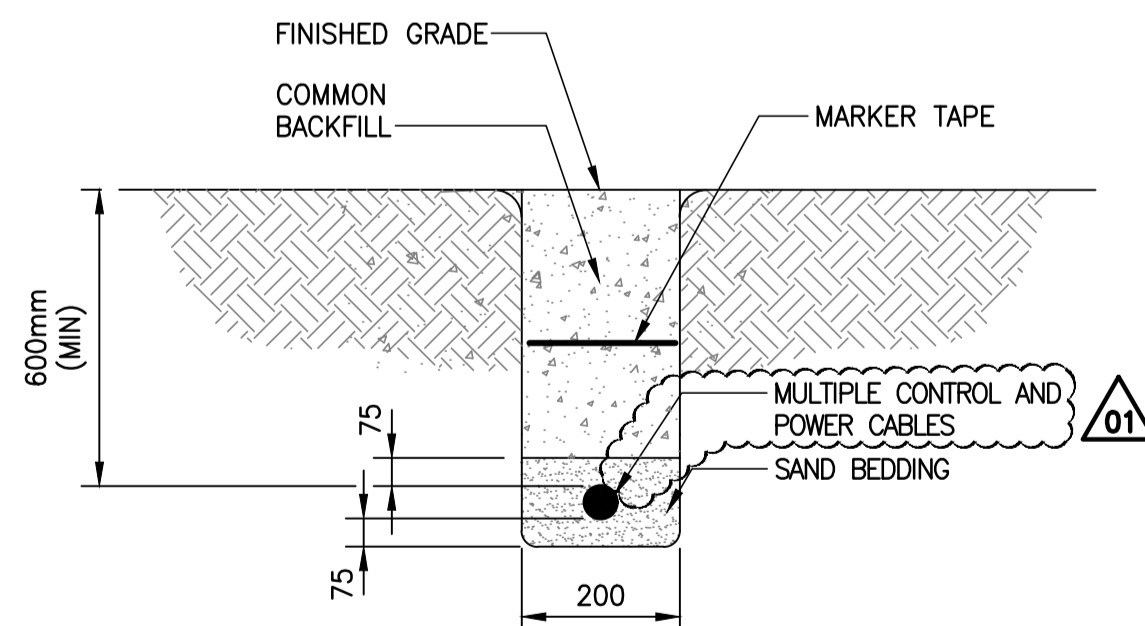
E CABLE TRAY BONDING DETAIL
SCALE: N.T.S.



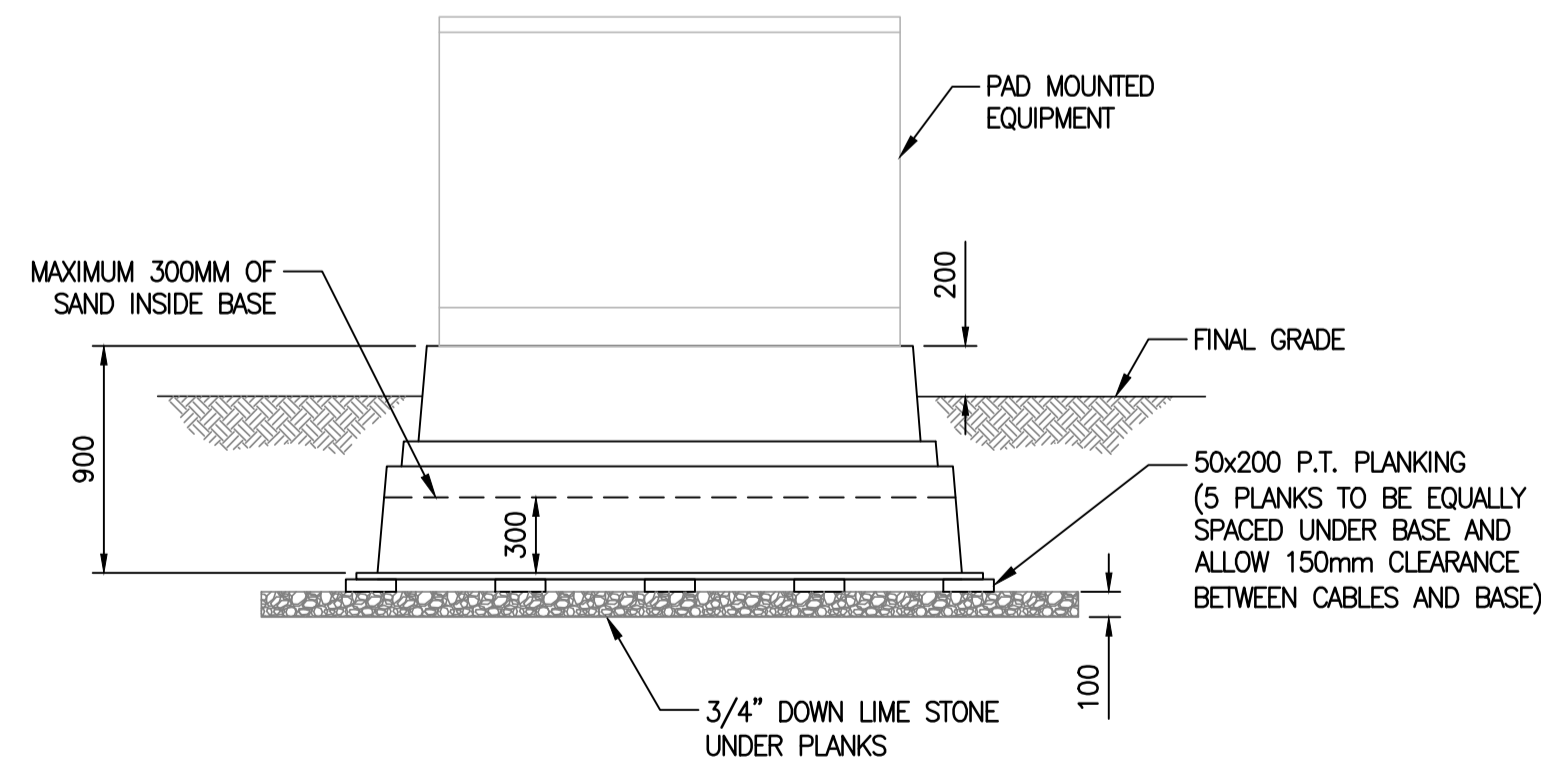
F PANEL AND TRANSFORMER GROUND CONNECTION DETAIL
SCALE: N.T.S.



G CABLE TAP CONNECTION
SCALE: N.T.S.



H CABLE TRENCH DETAIL 2
E0006 SCALE: N.T.S.



J FIBREGLASS PAD DETAIL (NOTE 2)
E0006 SCALE: N.T.S.



NO.	REVISIONS	DATE	DESIGN	CHECK
01	RE-ISSUED FOR TENDER AND CONSTRUCTION	2019/07/18	LU	JAB
00	ISSUED FOR TENDER AND CONSTRUCTION	2019/07/12	LU	JAB

KGS GROUP CONSULTING ENGINEERS	
DESIGNED BY: L. UPPAL	CHECKED BY: J. BOUCHARD
DRAWN BY: J. deLEON	APPROVED BY: J. BOUCHARD
SCALE: AS NOTED	ISSUED FOR CONSTRUCTION BY: DATE:
DATE: 2019/07/12	
CONSULTANT NO.: 19-0107-002_E20	

ENGINEER'S SEAL

THE CITY OF WINNIPEG WATER AND WASTE DEPARTMENT		
CLIFTON FLOOD PUMPING STATION UPGRADES		
ELECTRICAL GROUNDING AND MISCELLANEOUS DETAILS		
CITY DRAWING NUMBER 1-0125F-E0026-001	SHEET 01	REV. SIZE A1