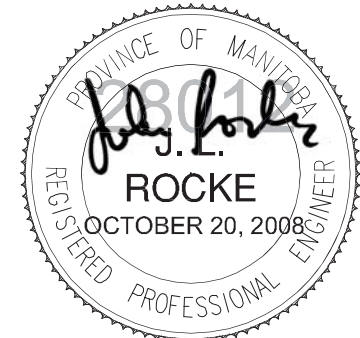
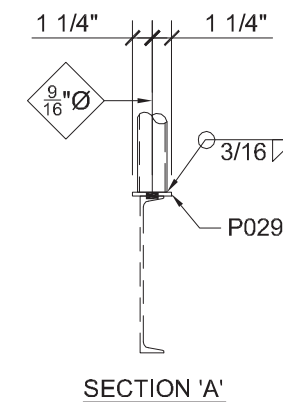
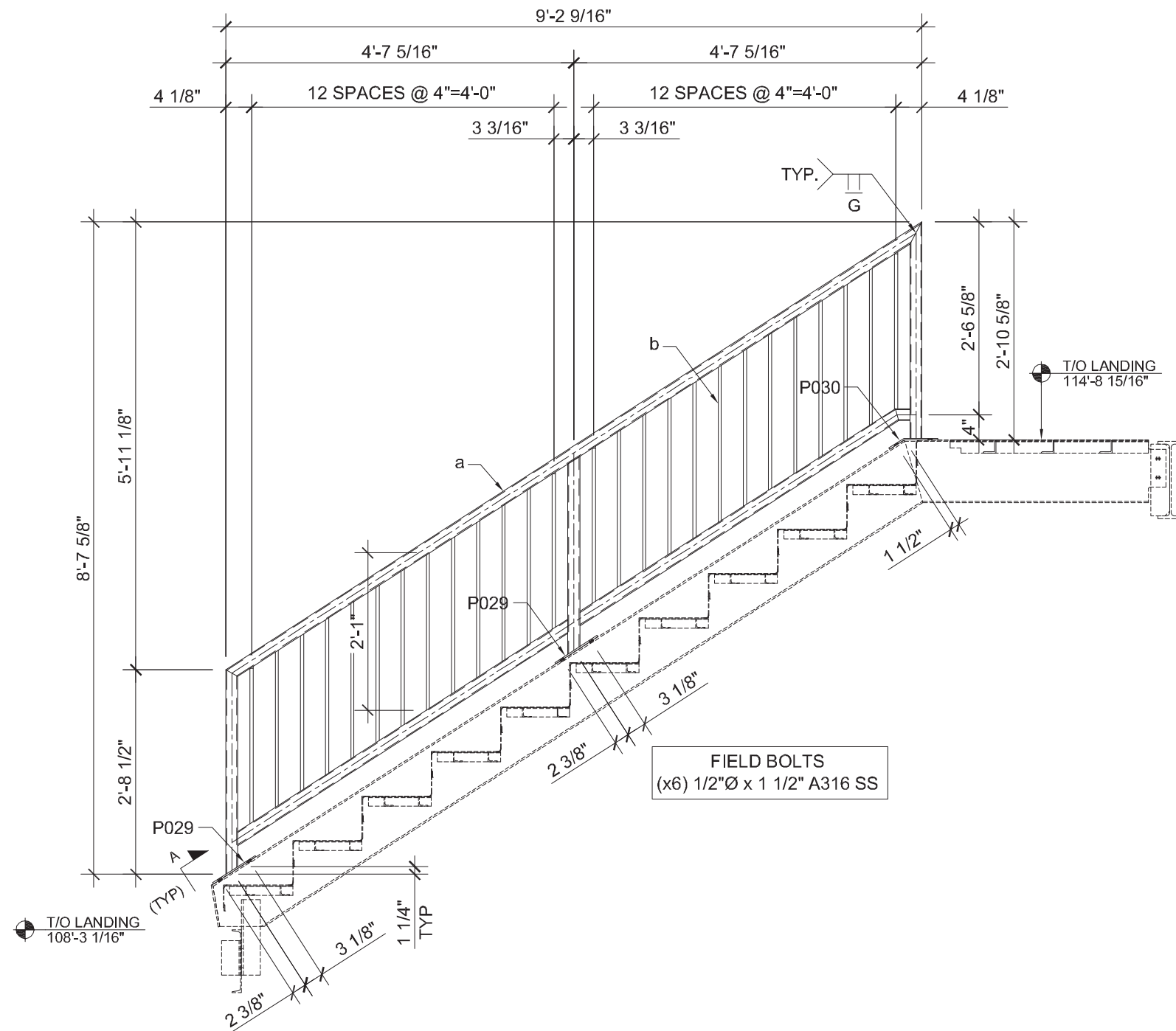


BILL OF MATERIALS

QTY	MARK	DESCRIPTION	LENGTH	WEIGHT	REMARKS
ONE	023	HANDRAIL	9'-2 9/16"	-	-
ONE	a	1 1/2"Ø STD. PIPE	29'-6" LINEAL	-	A53 GRADE B
26	b	1/2" Ø BAR	2'-1"	-	-
2	P029	PL 1/4x2 1/2"	0'-8"	-	-
ONE	P030	PL 1/4x2 1/2"	0'-8 1/8"	-	-
		FIELD BOLTS		-	-
6		1/2Ø A316 SS	0'-1 1/2"	-	-



MK 023 - HANDRAIL x 9'-2 9/16"
(ONE REQUIRED AS SHOWN)

DRAWING NOTES: NOTE LIABILITY FOR THESE DRAWINGS IS LIMITED TO DRAFTING SERVICES ONLY. NO ENGINEERING RESPONSIBILITY INCLUDED. FABRICATOR/ERECTOR IS RESPONSIBLE FOR VERIFYING ALL DIMENSIONS & ELEVATIONS AND CHECKING ALL SITE CONDITIONS THAT COULD AFFECT STEEL ERECTION & PLACEMENT TO DIMENSIONS INDICATED ON ERECTION DRAWINGS.	TOTAL WEIGHT 0.0 LBS STEEL GRADE ALL STRUCT. STEEL TO CSA G40.21 W SECT, LIGHT GA STL: 350W U.N.O. HSS SECT: 350W CLASS C U.N.O. CHNLS, L'S, PL, ETC.: 300W U.N.O.	HOLES 9/16"Ø U.N.O. FINISH GALVANIZED + EPOXY PAINT	1 AS-BUILT OCT/20/2008 JMH RLA	Tractus Group Incorporated 70 Arthur Street, Studio 100 Winnipeg, Manitoba, R3B 1G7 P (204) 942-6035 F (204) 942-6034 E Info@tractusgroup.com	PROJECT/CLIENT WESTERN RECREATION ELMWOOD KILDONAN POOL WATERSLIDE STAIR 909 CONCORDIA AVENUE, WINNIPEG, MANITOBA					
	WELD MIN. 3/16" FILLET U.N.O.	REF DWG & MEMBER LOCATION (S) E01 & E02 GRID C2 GRID 1.1 & 1.2	0 FOR APPROVAL JULY/17/2008 JMH RLA		MEMBER DESCRIPTION HANDRAIL					
			REV DESCRIPTION DATE BY CHK'D		DRAWN BY JC CHECK'D BY RLA	DRAWN DATE JULY/07/2008 CHECKED DATE JULY/14/2008	SCALE NTS JOB No. 28012	SIZE B	DRAWING NUMBER 023	REV 1