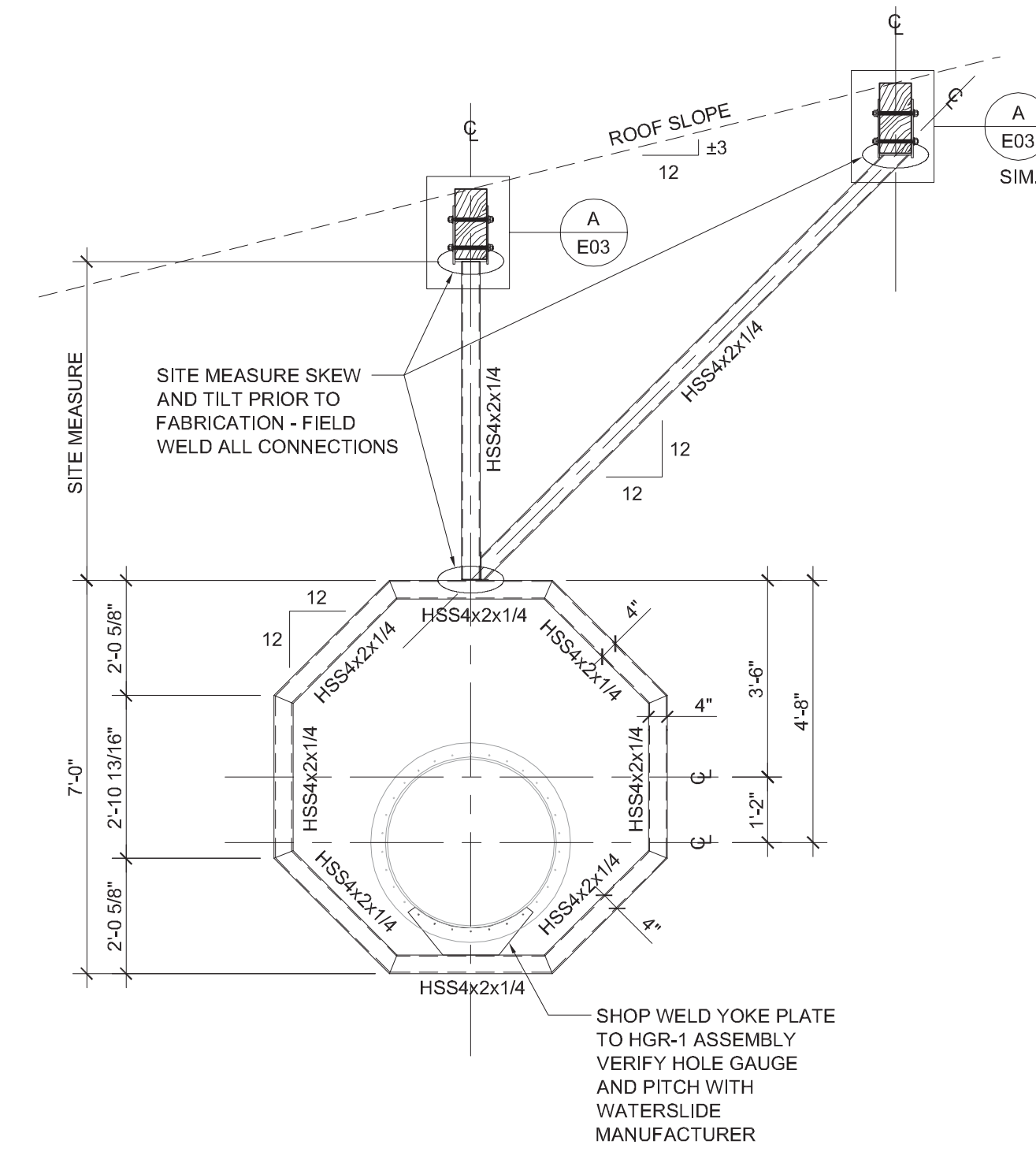
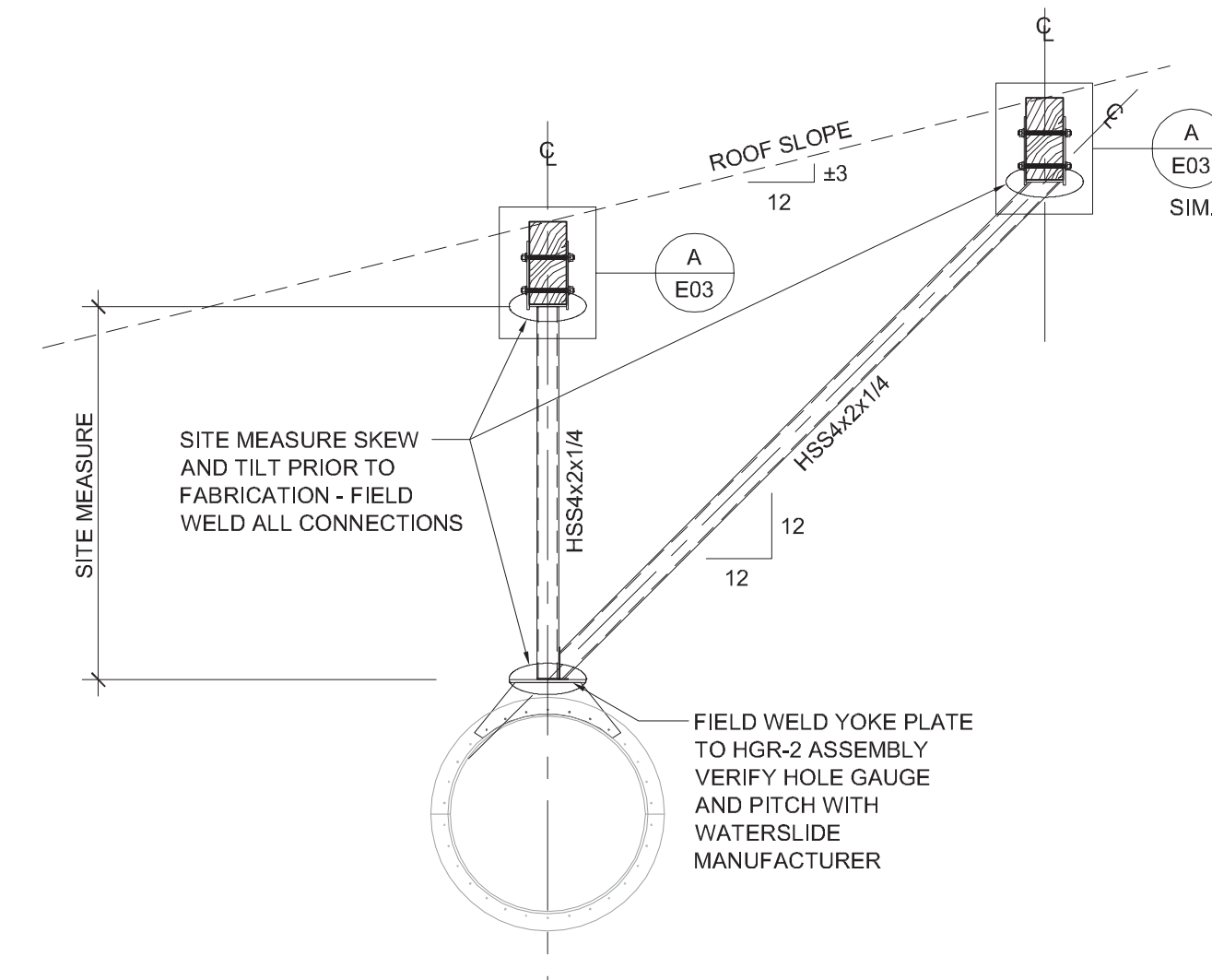


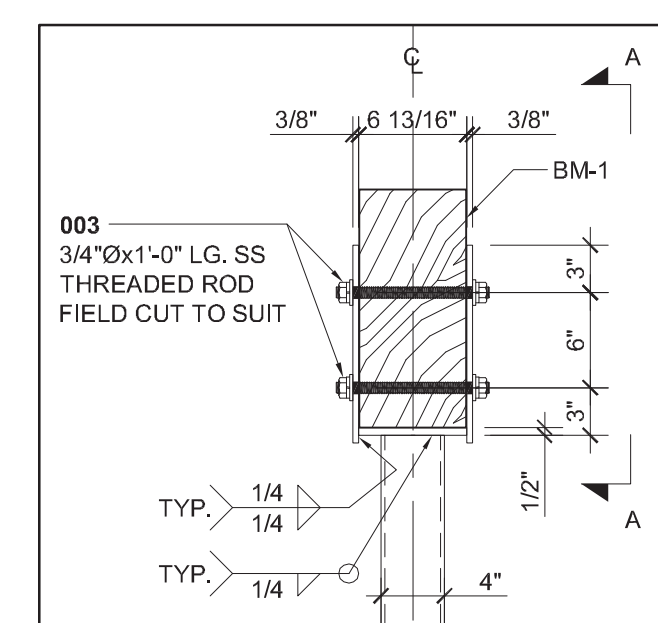
PLAN ROOF FRAMING PLAN
 E03 3/8"=1'-0"



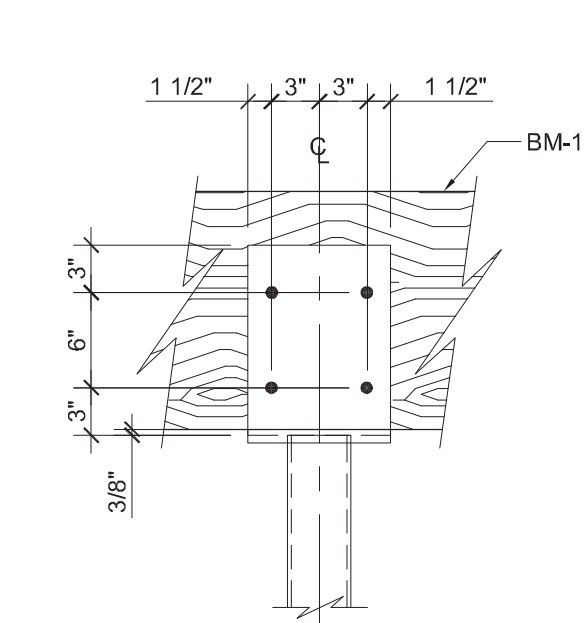
SECTION <HGR-1 x 3 LOC.>
 3/8"=1'-0"



SECTION <HGR-2 x 5 LOC.>
 3/8"=1'-0"



DETAIL
 1"=1'-0"



VIEW A-A
 1"=1'-0"

THIS DRAWING MUST NOT BE SCALED.
 THIS DRAWING IS THE PROPERTY OF TRACTUS GROUP INCORPORATED AND IS TO BE USED FOR THE PROJECT BY ITS APPROVED AGENTS. DO NOT COPY OR DUPLICATE THIS DRAWING OR ITS CONTENTS WITHOUT THE WRITTEN APPROVAL OF TRACTUS GROUP INCORPORATED.
 ALL ERRORS AND OMISSIONS TO BE REPORTED TO TRACTUS GROUP INCORPORATED IMMEDIATELY.
 VARIATIONS AND MODIFICATIONS TO WORK SHOWN ON THIS DRAWING SHALL NOT BE CARRIED OUT WITHOUT PERMISSION FROM TRACTUS GROUP INCORPORATED.

APEGM
 Certificate of Authorization
 Beach Locke Engineering Ltd.
 No. 4050 Expiry: April 30, 2009

no.	description	date (m/d/y)	issued by
5	AS-BUILT	OCT/20/08	JMH
4	ISSUED FOR FABRICATION	JUL/17/08	JMH
3	ISSUED FOR CONSTRUCTION	JUN/09/08	JMH
2	REVISED TO CLOSED RISER	MAY/09/08	JMH
1	100% SUBMISSION	APR/11/08	JMH
0	75% SUBMISSION	MAR/17/08	JMH

Professional Engineer
ROCKE
 J. L.
 OCTOBER 20, 2008
 REGISTERED PROFESSIONAL ENGINEER

sheet title
WATER SLIDE SUPPORT FRAMING PLAN
 project title
ELMWOOD KILDONAN POOL & WATERSLIDE
 general contractor
WESTERN RECREATION
 architectural consultant

design	drawn	check	approval
JMH	JMH	LC	JLR

date
MAY/09/08
 sheet no.
E03
 job no.
28012-G
 scale
NOTED