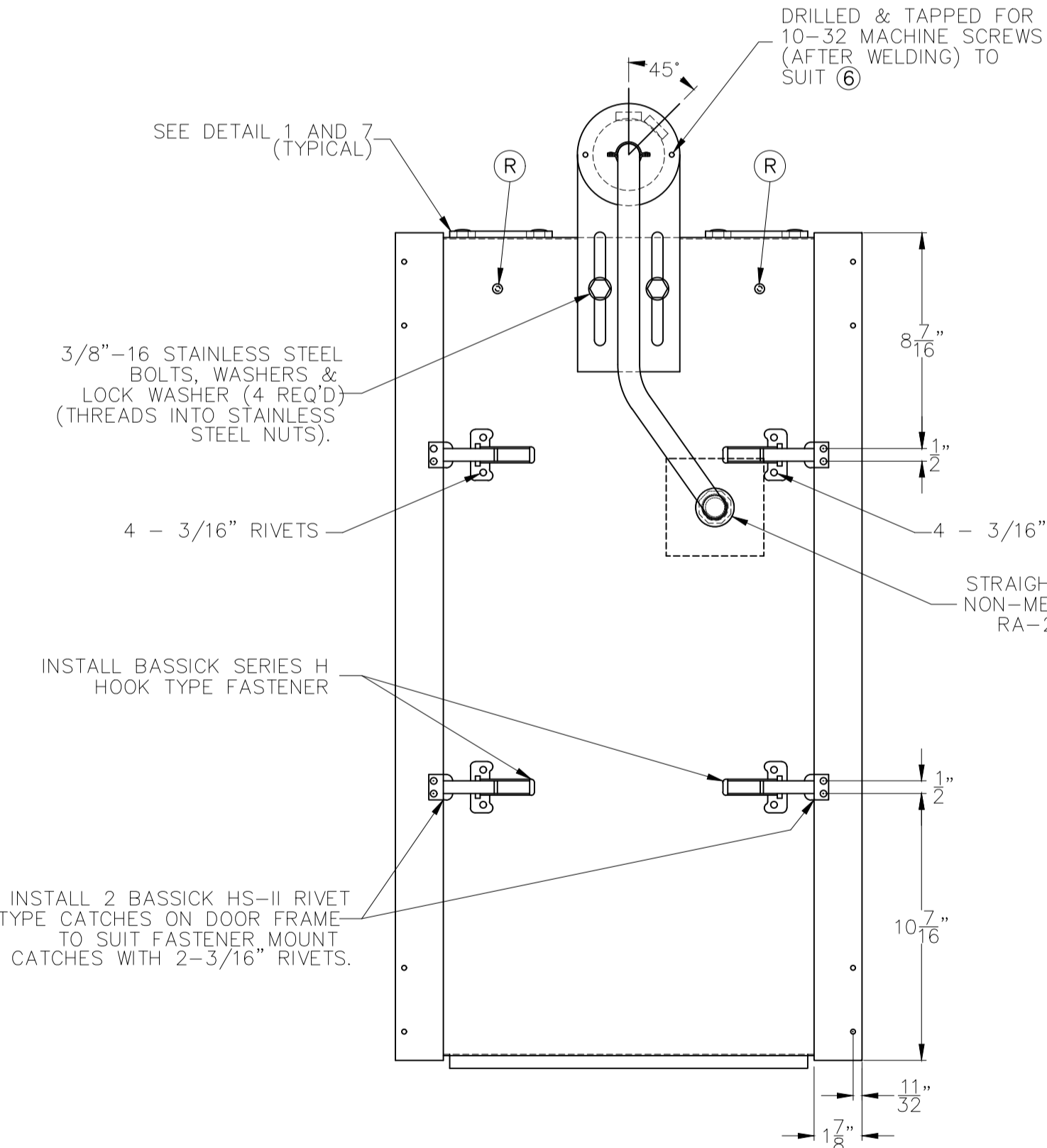
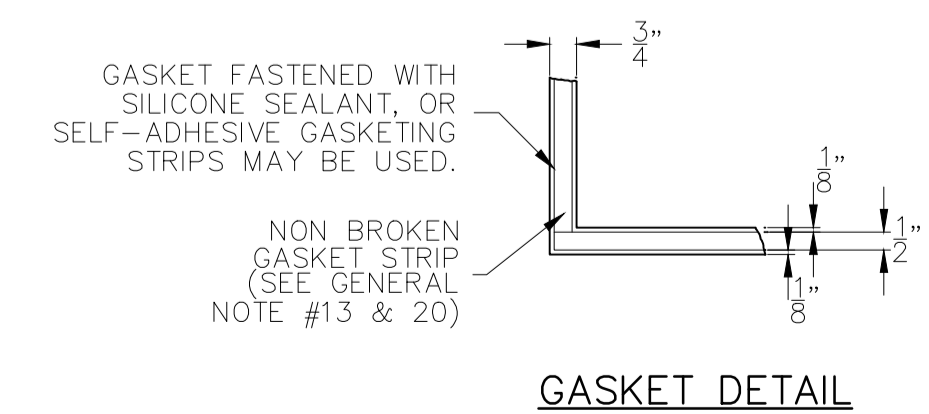


FRONT VIEW
(MINUS EX-12 - SECTIONS & MOUNTING BRACKET)

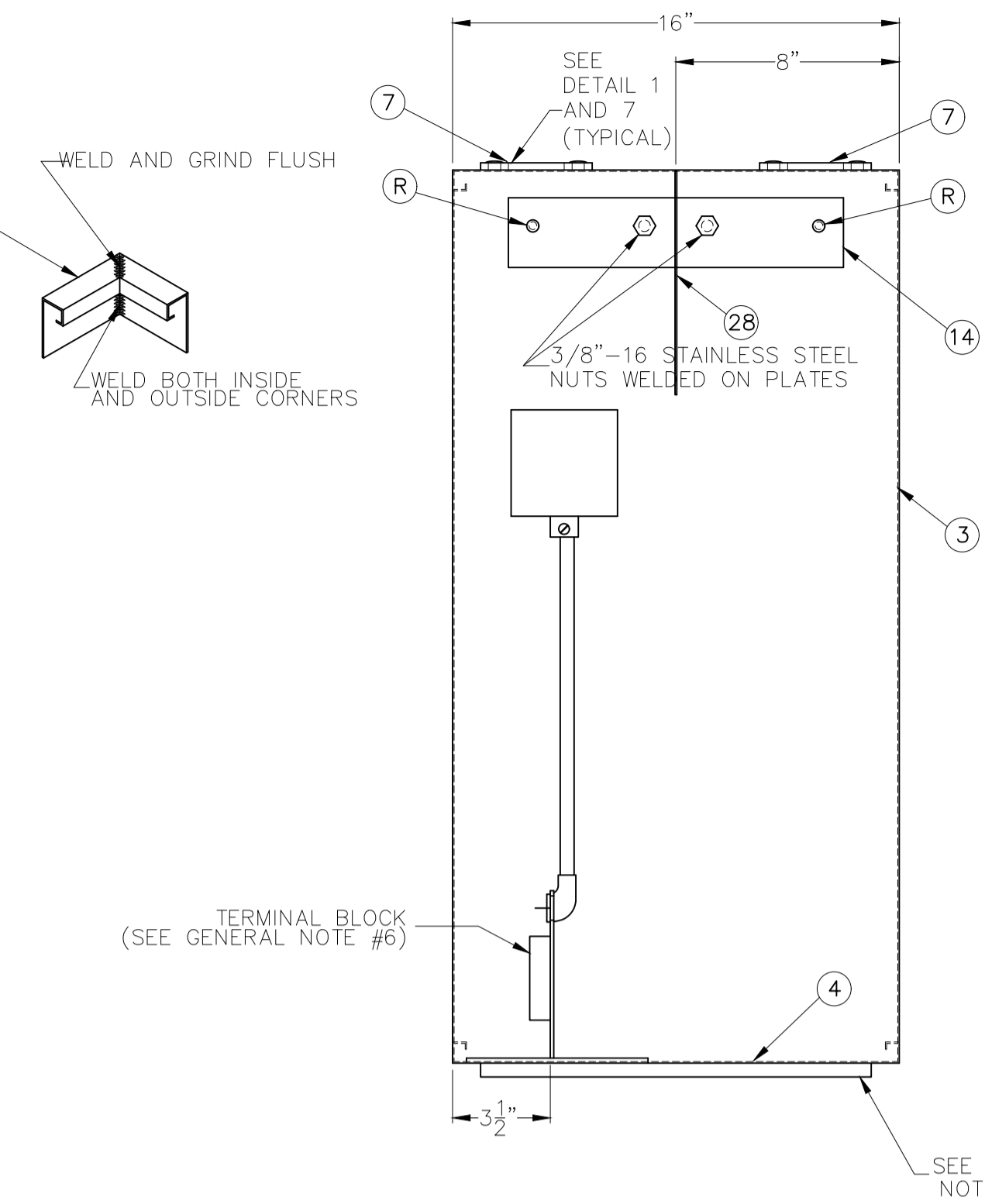
SEE GENERAL NOTE No.3
1/8" LEXAN DOWN LIGHTER LENS (CLEAR) 14 5/8" x 21" LONG



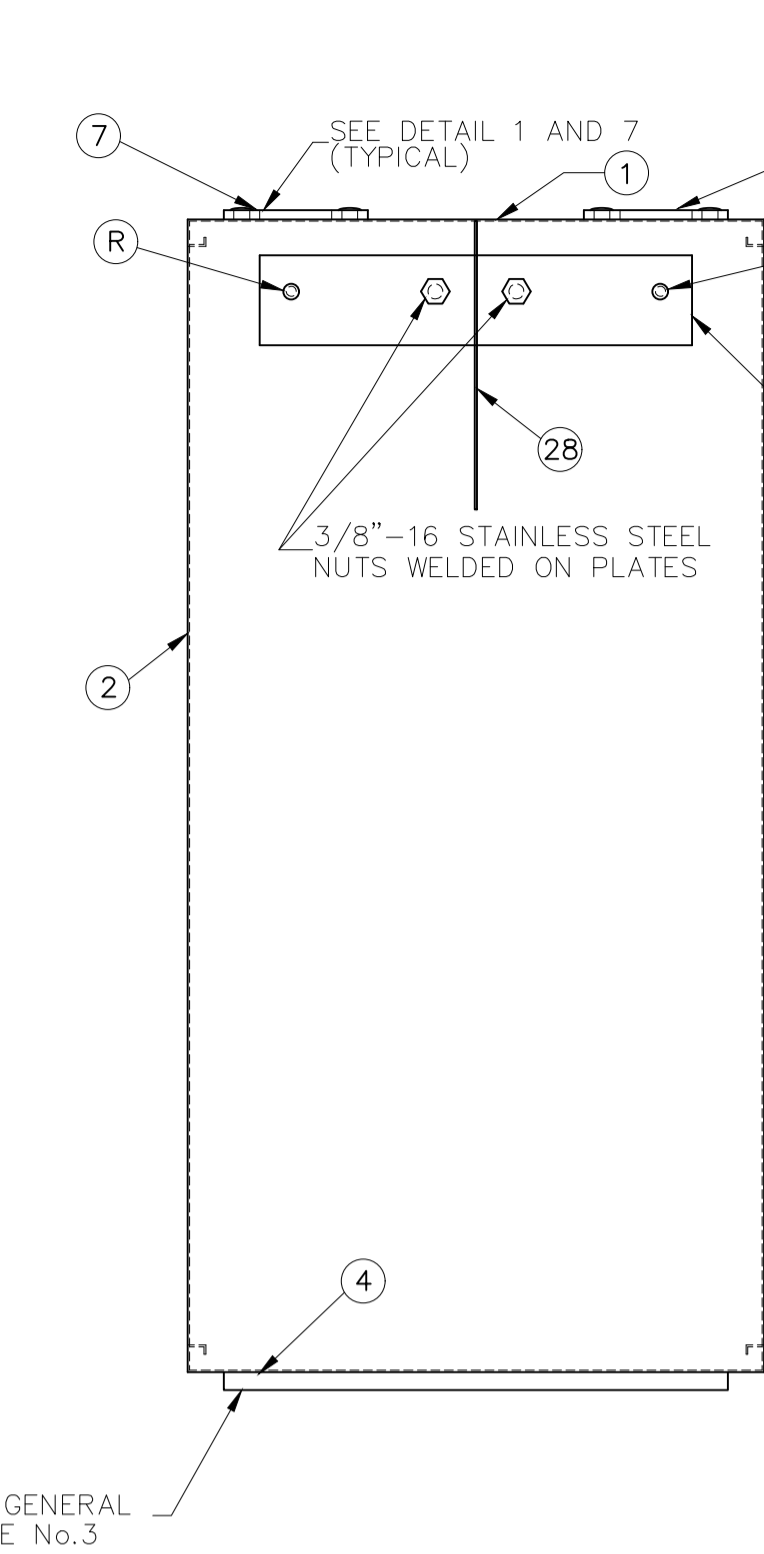
LEFT SIDE VIEW



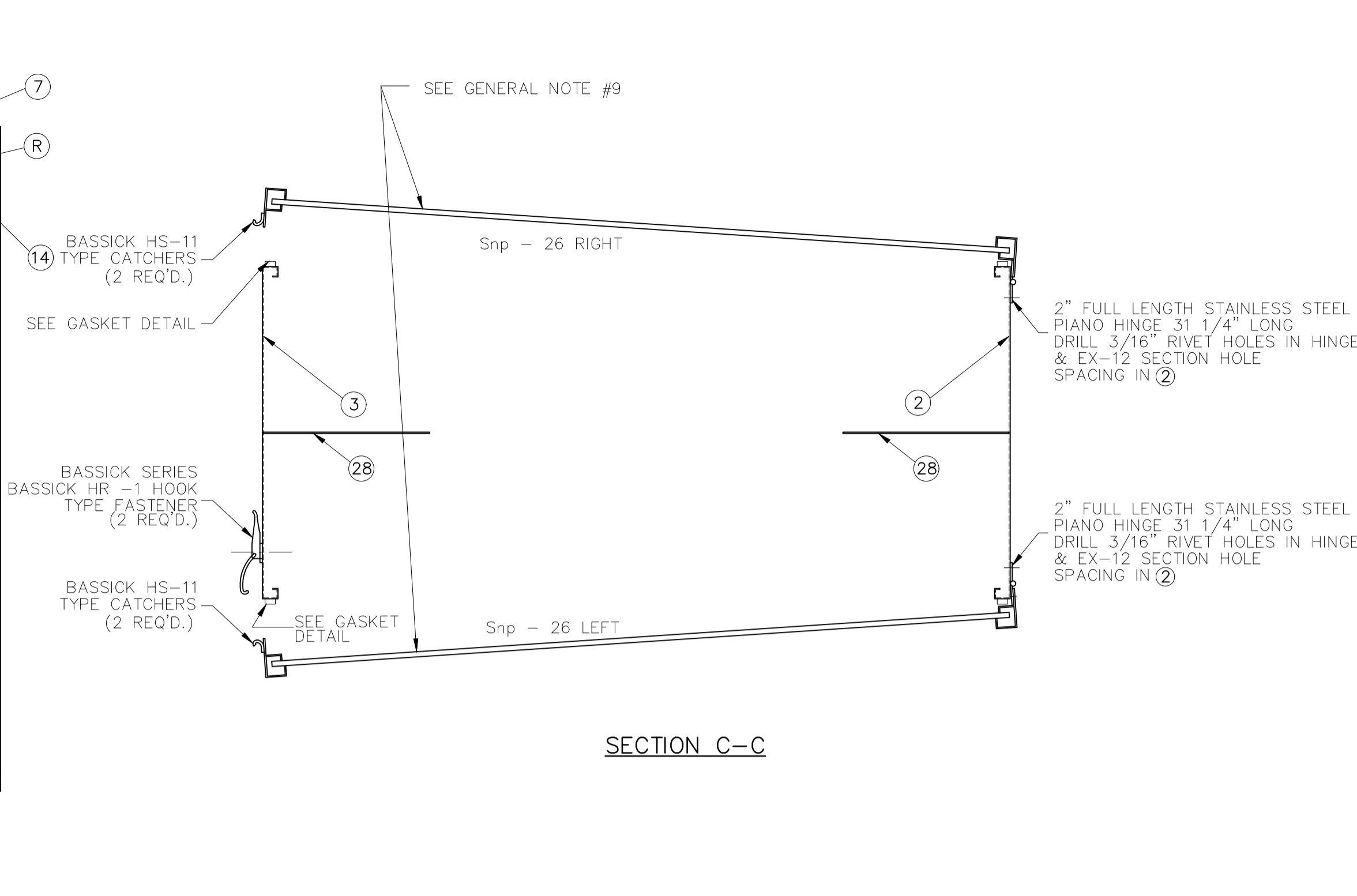
GASKET DETAIL



SECTION A-A



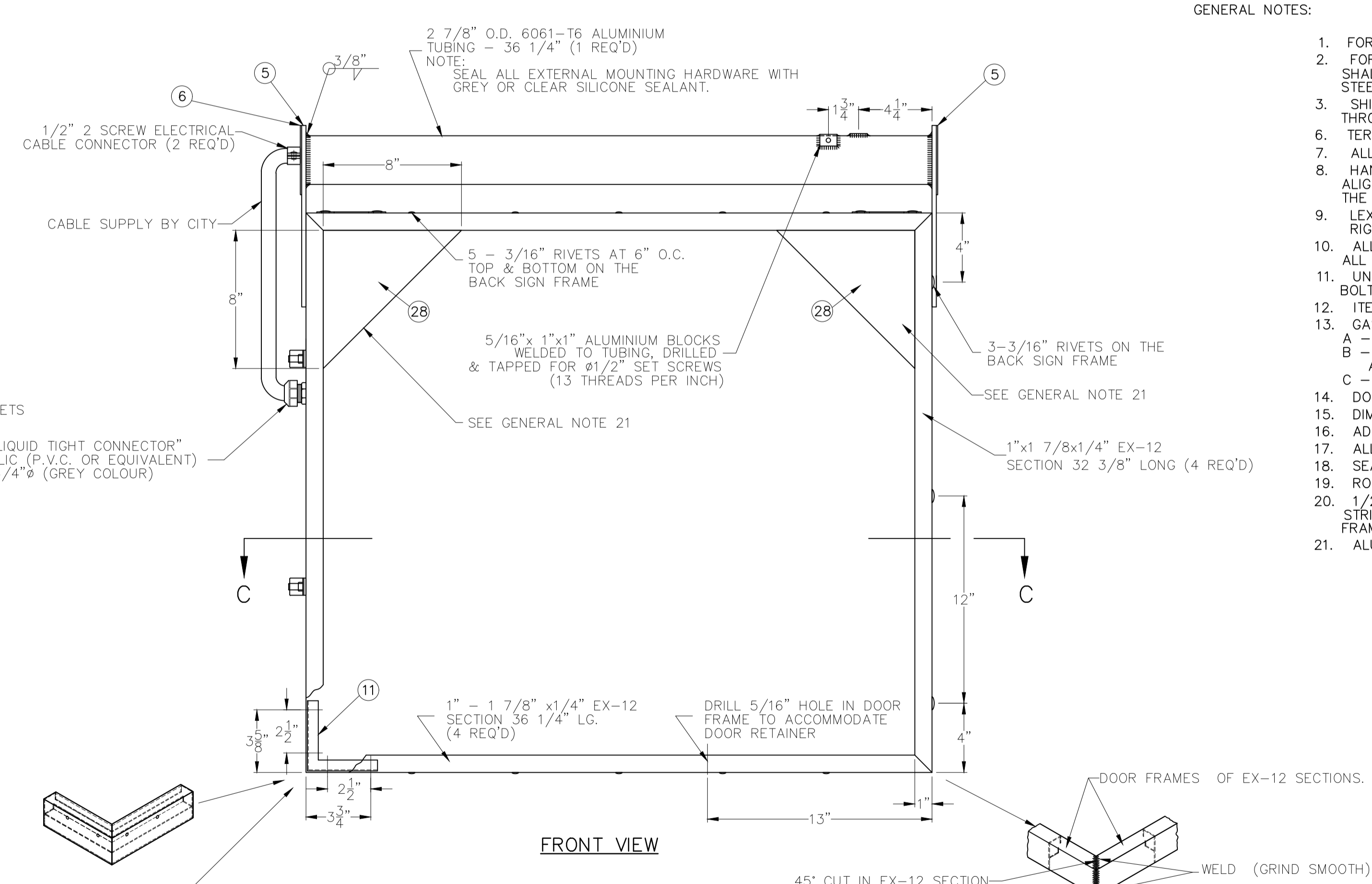
SECTION B-B



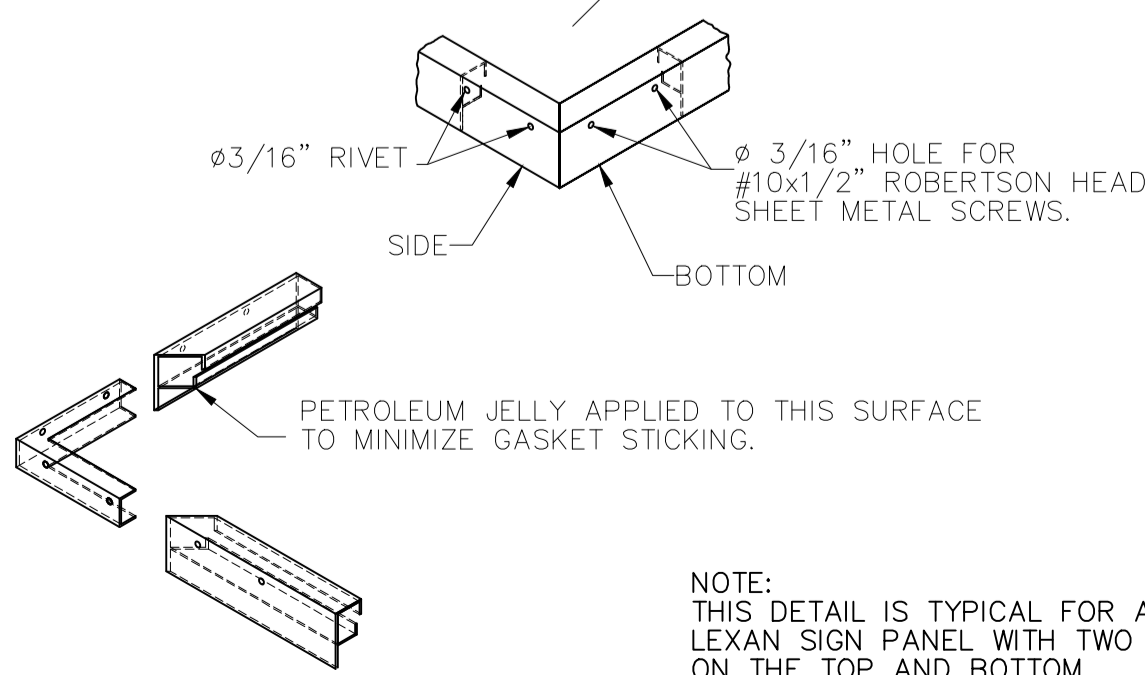
SECTION C-C

GENERAL NOTES:

- FOR DETAILS OF ① TO ⑥, ⑬, ⑭, SEE DRAWINGS ST-145, 1 OF 3. AND 3 OF 3
- FOR MOUNTING HARDWARE USE 10-32 HEX. HEAD MACHINE SCREWS. LOCK WASHERS AND NUTS SHALL BE STAINLESS STEEL 3/8-16 BOLTS, NUTS AND LOCK WASHERS SHALL BE STAINLESS STEEL WHERE INDICATED BY ⑫ USE 3/16" ALUMINIUM RIVET.
- SHIPPING BLOCKS (2"x14"x1/2") TO BE INSTALLED WITH No. 8x1/2" SMS OR WOOD SCREWS THROUGH BOTTOM DRAIN HOLES. (2 SHIPPING BLOCKS REQ'D.)
- TERMINAL BLOCK TO BE MOUNTED ON THE INSIDE OF LEFT PANEL ON L BRACKET
- ALL METAL SURFACES TO BE LEFT UNPAINTED.
- HANGER BRACKETS ITEM ⑤ SHALL BE 90° TO THE ALUMINIUM TUBING AND BOTH ENDS SHALL BE ALIGNED TO EACH OTHER AFTER ASSEMBLY. THE ASSEMBLED ARM SHALL SLIDE FREELY ON THE ADJUSTMENT BOLTS.
- LEXAN SIGN PANELS TO BE PROVIDED BY OTHERS. (REF. DWG. No. Snp.-27, 910mm x 810mm RIGHT & LEFT.)
- ALL WIRING TO BE IN FLEX ARMOR SHEATHING COMPLETE WITH 3/8" CONNECTORS & ANTISHORTS. ALL INTERNAL WIRING TO BE 105° FLAMENOL WIRE.
- UNIT SHALL BE COMPLETELY WIRED, READY FOR USE. TWO 1/2"-13 STAINLESS STEEL DOG TOOTH BOLTS SHALL BE SUPPLIED BY CITY.
- ITEM ⑭ SIDE WALL REINFORCING/STIFFENER PLATES SHALL BE STAINLESS STEEL.
- GASKET REQUIREMENTS
A - CLEAN SURFACE WITH STEEL WOOL & SOLVENT;
B - APPLY DOW CORNING SILICON SEALANT TO ALL EXTERNAL HARDWARE'S ON TOP SIDES PANELS AND FLANGES ON BOX;
C - APPLY PETROLEUM JELLY OR EQUAL AROUND ENTIRE PERIMETER OF EX-12 DOOR SECTIONS (AS SHOWN).
- DOOR RETAINER ROD ⑬ TO BE STAINLESS STEEL ROD.
- DIMENSION TOLERANCES ARE ± 1/16" UNLESS OTHERWISE SPECIFIED.
- ADD DATE AND MANUFACTURE OF UNIT INSIDE OF RIGHT PANEL SECTION.
- ALL WELDS SHALL CONFORM TO CANADIAN WELDING BUREAU STANDARDS.
- SEAL ALL EXTERNAL MOUNTING HARDWARE WITH GREY OR CLEAR SILICONE SEALANT.
- ROUGH EDGES FILE DOWN.
- 1/2"x1/4" CLOSED CELL NEOPRENE GASKET MATERIAL TO BE INSTALLED IN CONTINUOUS STRIPS AROUND ENTIRE PERIMETER OF BOTH FRONT OPENING AND REAR (FIXED) DOOR FRAMES. (SEE NOTE 13 FOR APPLICATION PROCEDURE).
- ALUMINIUM GUSSET PLATE WELDED TO INTERIOR WALL.



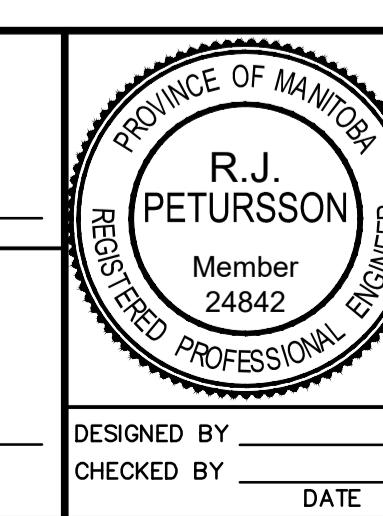
FRONT VIEW



NOTE:
THIS DETAIL IS TYPICAL FOR ACCESS TO LEXAN SIGN PANEL WITH TWO SCREWS ON THE TOP AND BOTTOM

NO.	DATE	REVISIONS	BY
5.	20.04.21	REVISED AS PER V.H.	J.S.
4.	19.11.13	REVISED AS PER V.H.	J.S.
3.	19.10.07	REVISED AS PER V.H.	J.S.
2.	19.07.12	REVISED AS PER V.H.	J.S.
1.	01.04.05	REDRAWN FROM MANUAL DWG #M-456 1 OF 2 TO CAD.	N.B.

TRAFFIC SIGNALS ENGINEER	DATE
DESIGNED BY	DATE
CHECKED BY	DATE



THE CITY OF WINNIPEG
PUBLIC WORKS DEPARTMENT
TRANSPORTATION DIVISION

INTERNALLY ILLUMINATED PEDESTRIAN
CORRIDOR SIGN UNIT 36" x 32"

SCALE 3/16"=1"
DRAWING NO. ST-145
2 OF 3