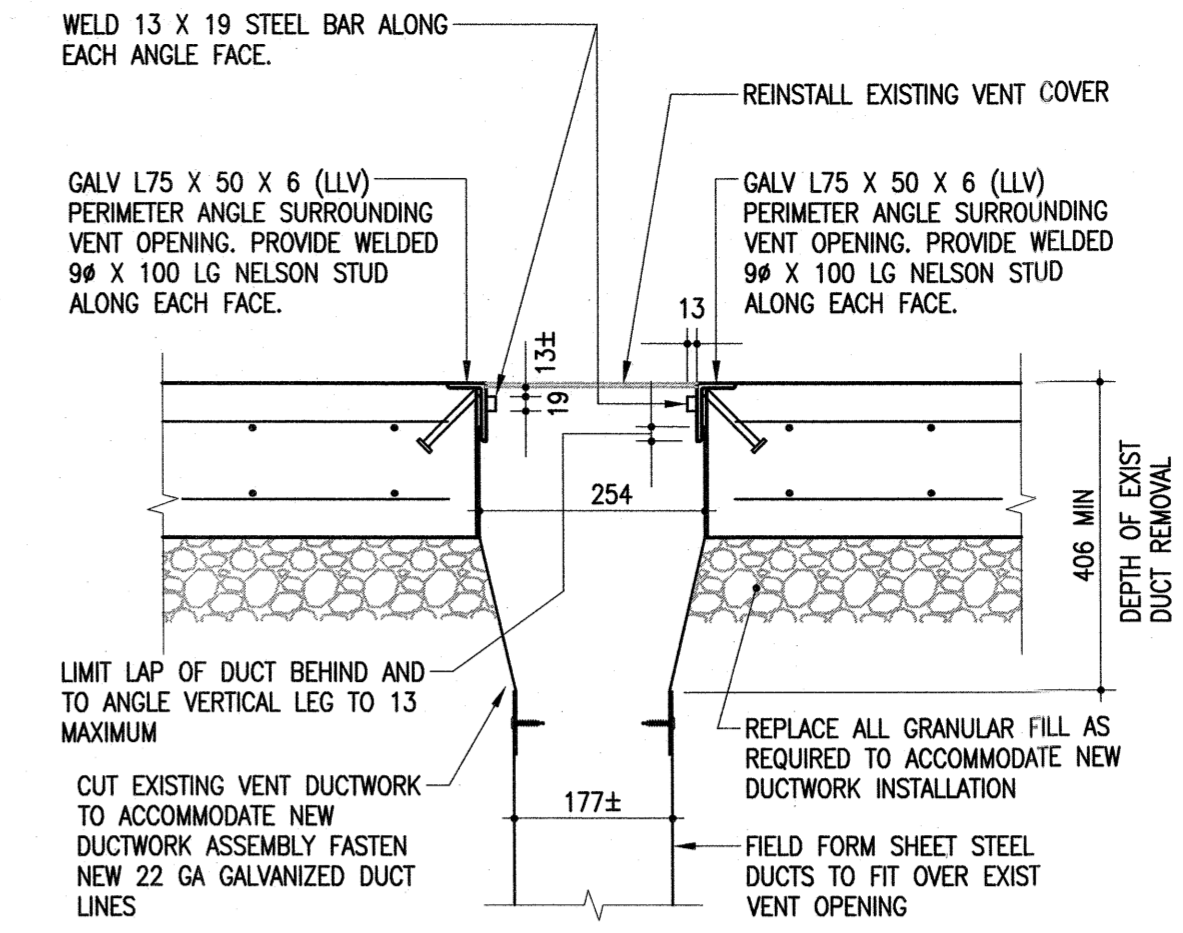
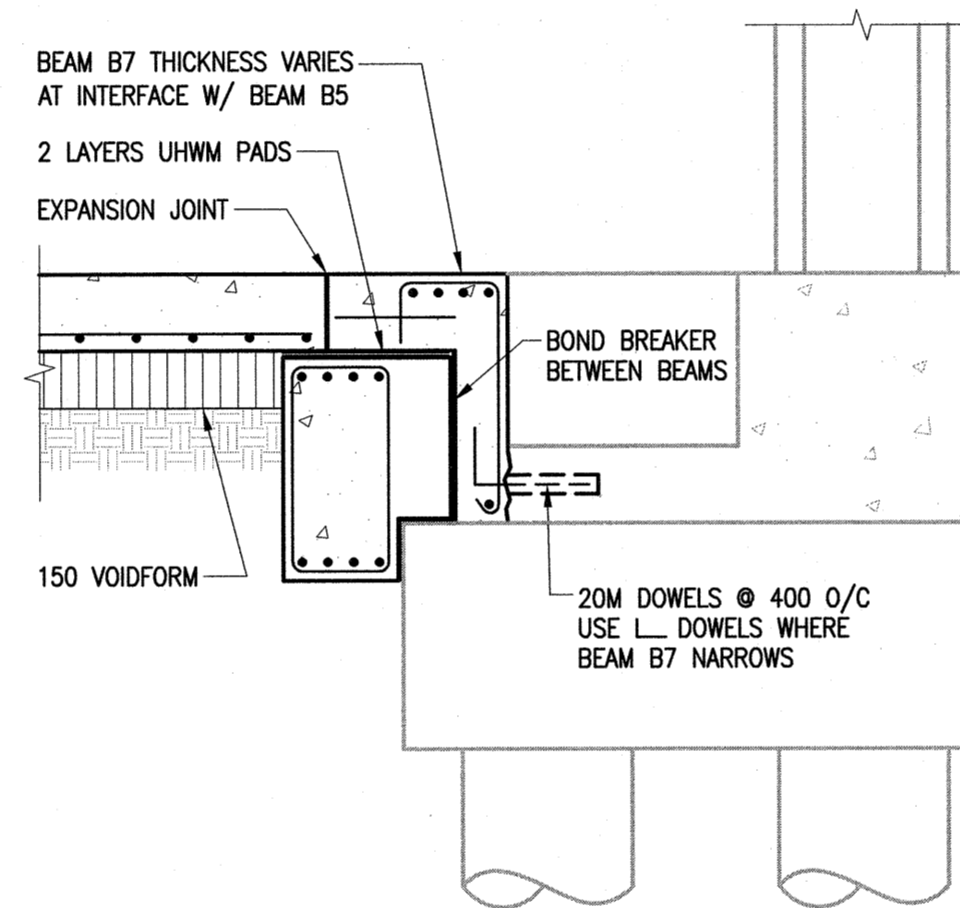


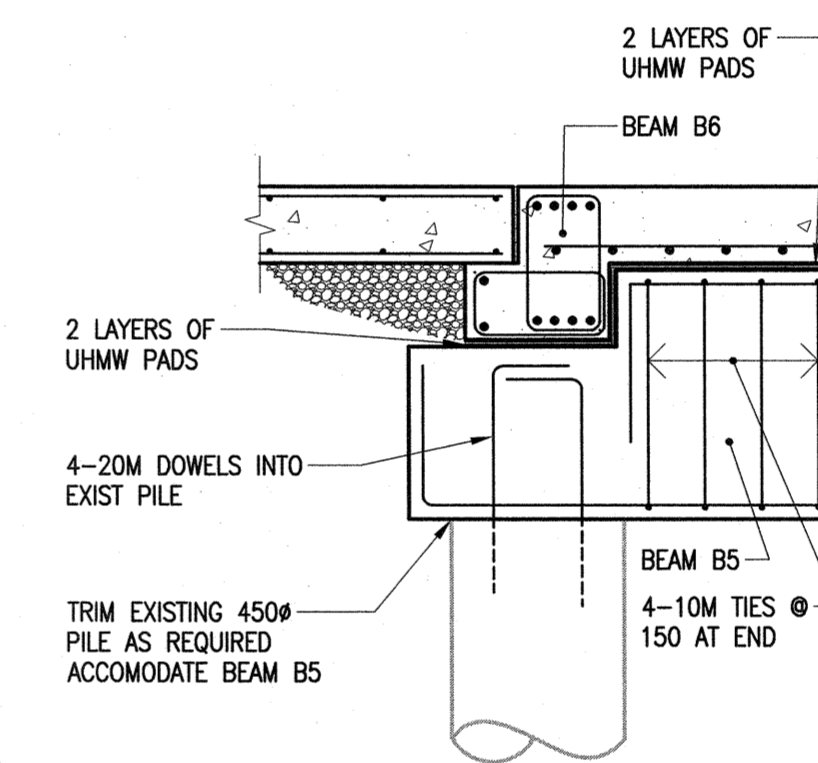
**1 SECTION - VENT PENETRATION**  
 S2.3 | S4.3 | 1:10 (UNIT PRICE)



**2 SECTION - VENT PENETRATION**  
 S2.3 | S4.3 | 1:10 (UNIT PRICE)



**3 EXPANSION JOINT SECTION**  
 S2.3 | S4.3 | 1:20



**4 JOINT SECTION**  
 S2.3 | S4.3 | 1:20

The General Contractor shall check & verify all dimensions and report any errors or omissions to the designers.

| No. | Date       | Issue/Revision          | By |
|-----|------------|-------------------------|----|
| 1   | 2019-08-30 | ISSUED FOR CONSTRUCTION | IM |
| 0   | 2019-08-21 | ISSUED FOR BID          | IM |

**ENGINEERS GEOSCIENTISTS MANITOBA**  
 Certificate of Authorization  
 Crosier Kilgour & Partners Ltd.  
 No. 235



2019-08-30

Consultant

300-275 Carlton Street  
 Winnipeg, Manitoba R3C 5R6  
 T 204. 943. 7501  
 F 204. 943. 7507

**Crosier Kilgour & Partners Ltd.**  
 CONSULTING STRUCTURAL ENGINEERS

Project  
**WINNIPEG TRANSIT GARAGE BUILDING**  
 HOIST REPLACEMENT PROGRAM  
 421 OSBORNE STREET  
 WINNIPEG, MANITOBA

Sheet Title  
**NEW DETAILS**

File 2018-1170 Date 2019-08-30

Design IM Drawn JSR

Revision 1 Sheet No. **S4.3**