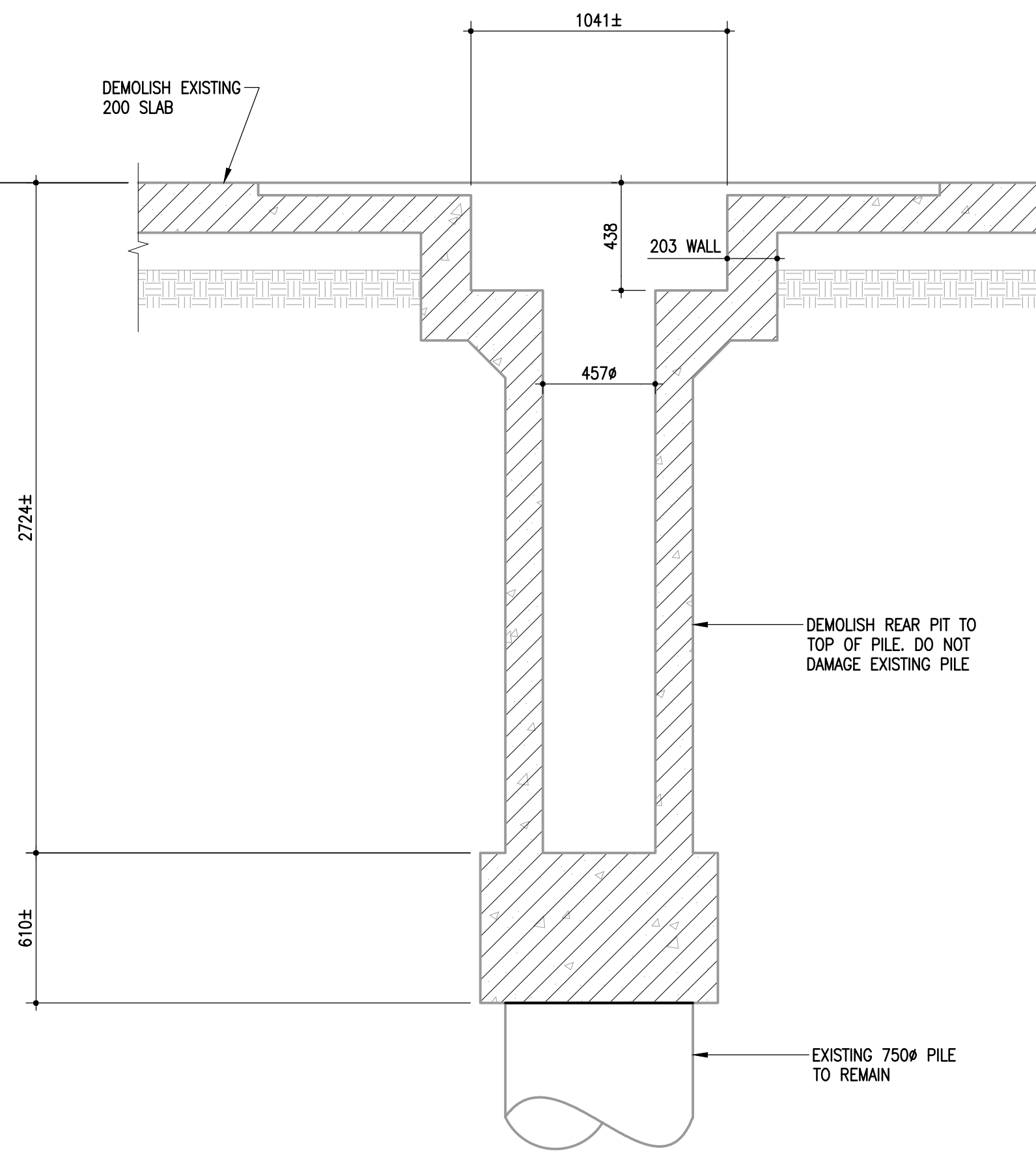
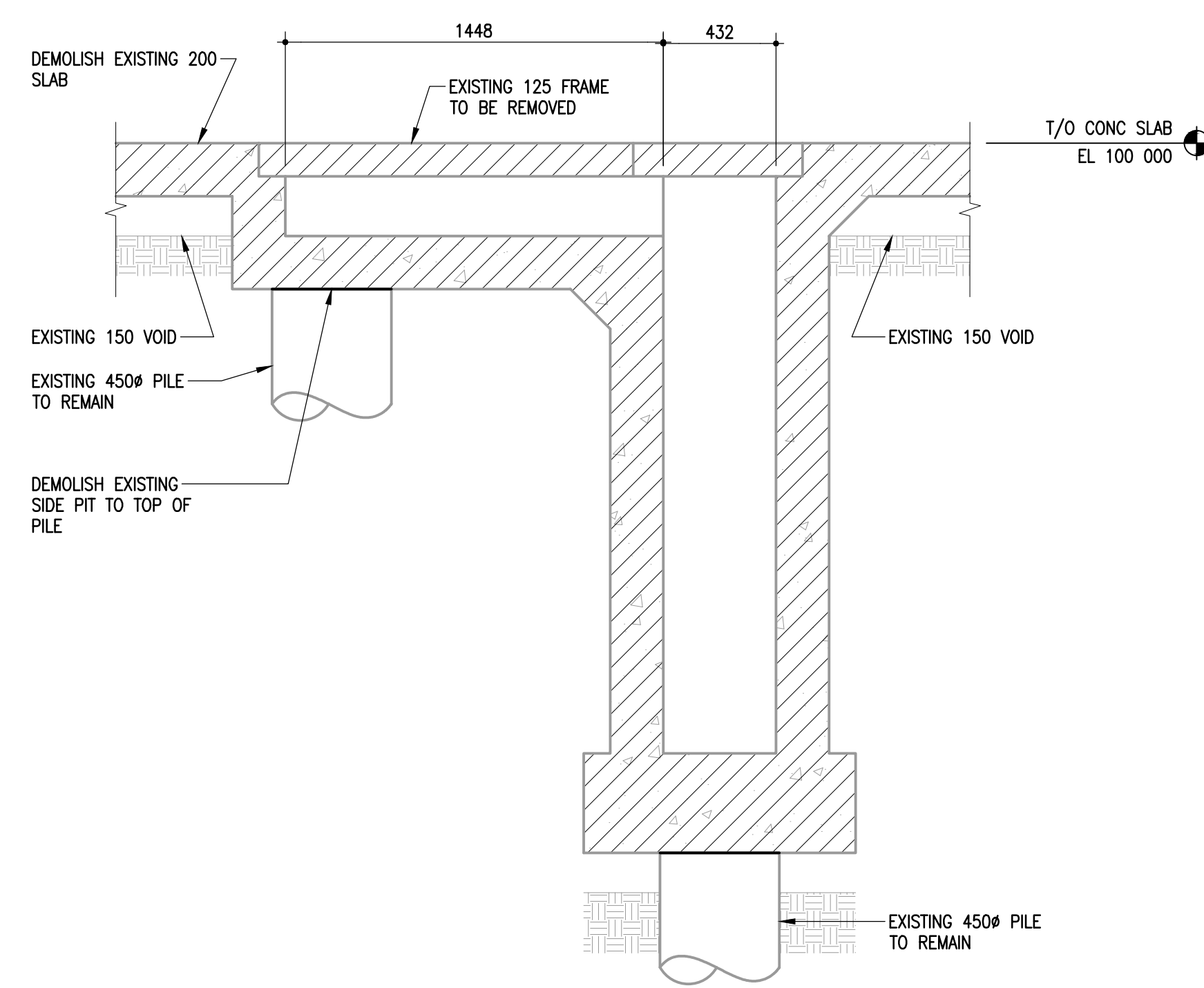


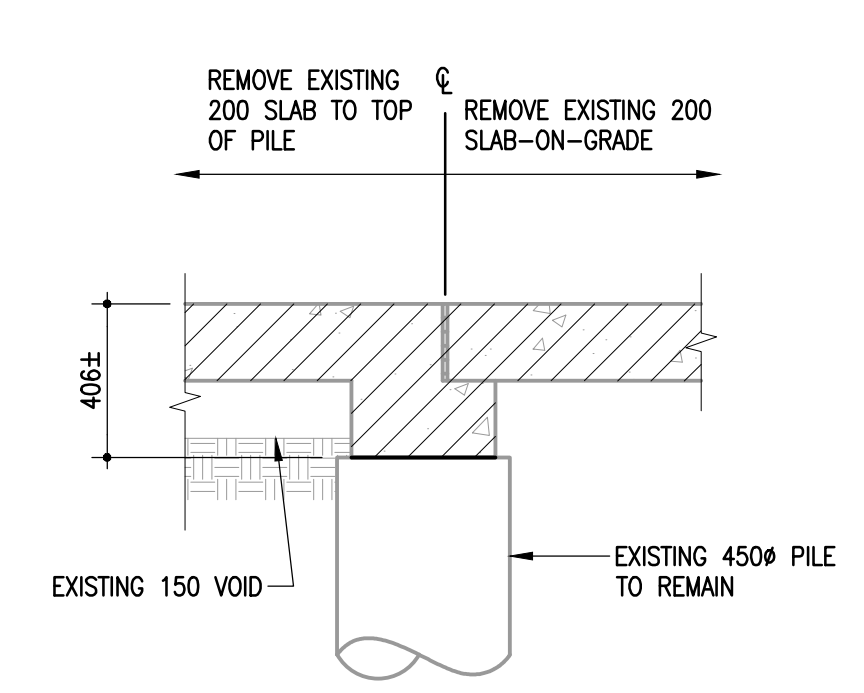
1 SECTION THROUGH BUS HOIST
S2.1 | S4.1 | 1:20



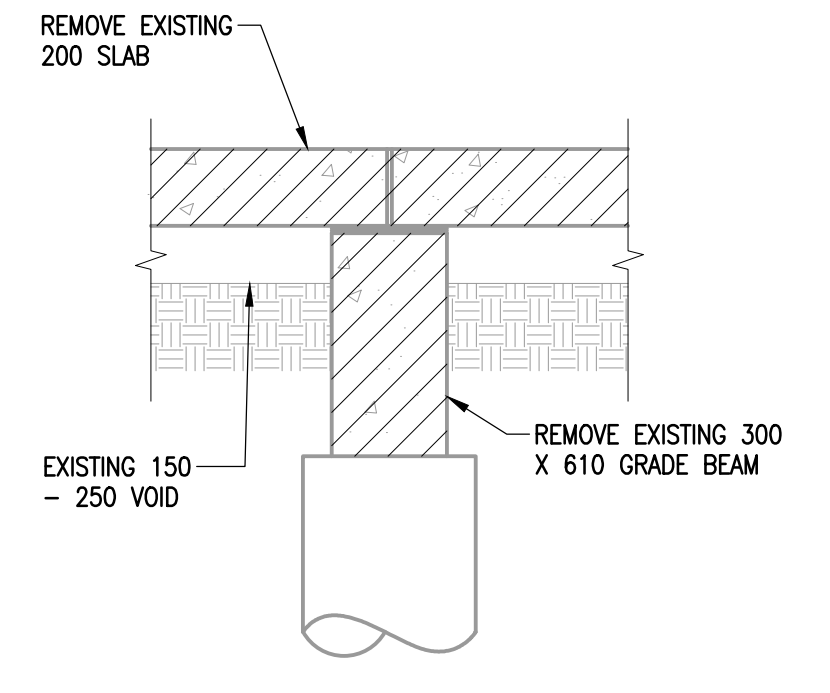
3 SECTION THROUGH REAR PIT
S4.1 | S4.1 | 1:20



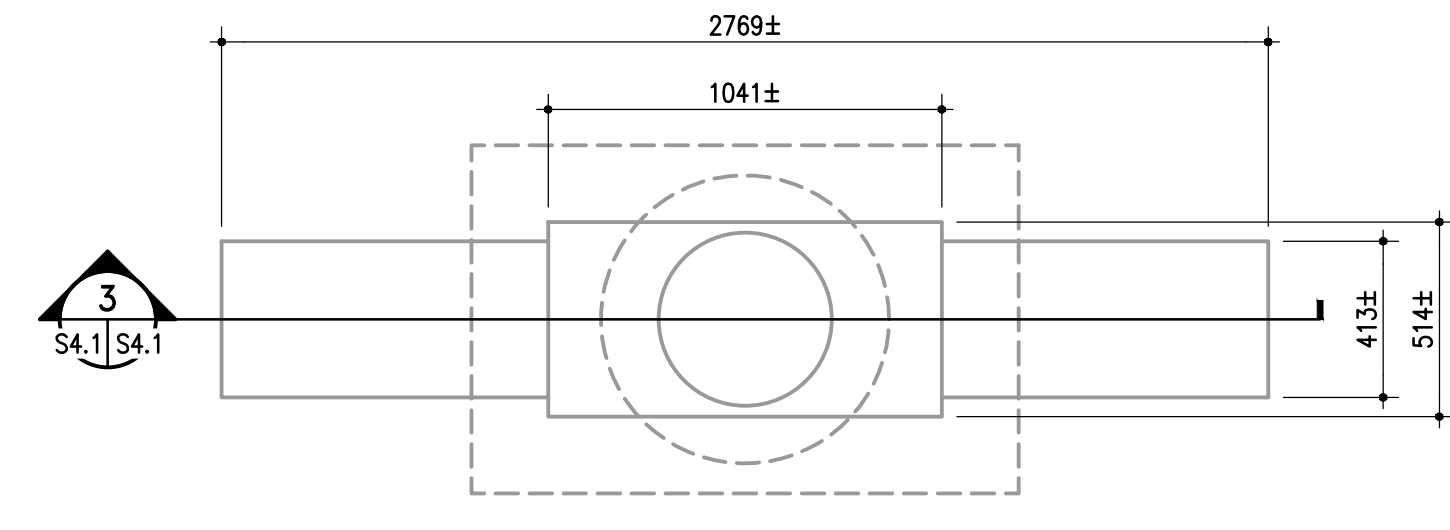
4 SECTION THROUGH SIDE PIT
S2.1 | S4.1 | 1:20



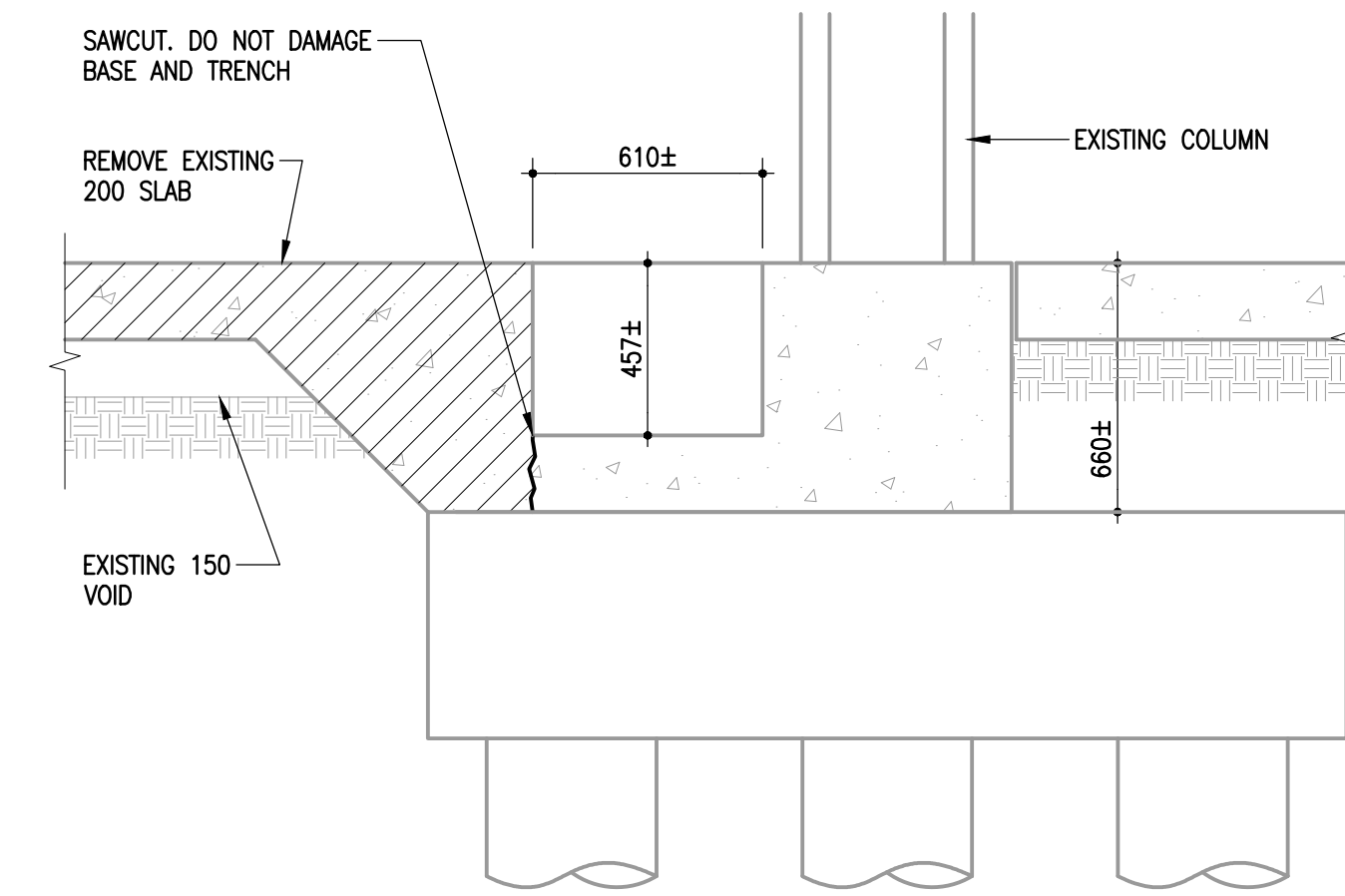
5 JOINT SECTION
S2.1 | S4.1 | 1:20



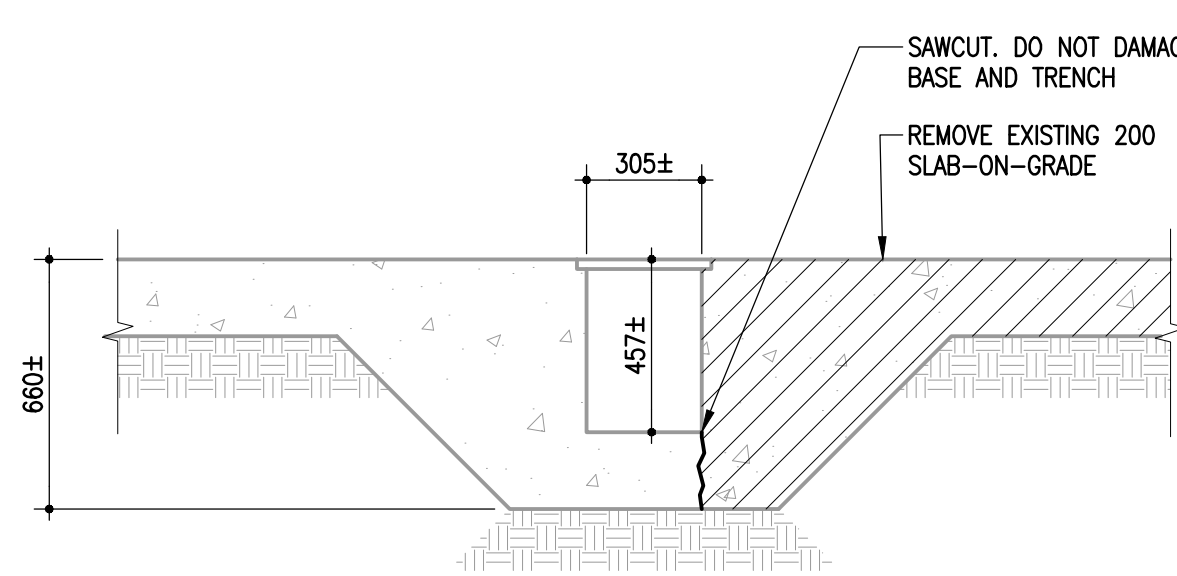
6 EXPANSION JOINT SECTION
S2.1 | S4.1 | 1:20



2 REAR PIT PLAN
S2.1 | S4.1 | 1:20



7 HYDRAULIC TRENCH SECTION
S2.1 | S4.1 | 1:20



8 DRAINAGE TRENCH SECTION
S2.1 | S4.1 | 1:20

The General Contractor shall check & verify all dimensions and report any errors or omissions to the designers.

No.	Date	Issue/Revision	By
0	2019-08-21	ISSUED FOR BID	IM

Consultant

300-275 Carlton Street
Winnipeg, Manitoba R3C 5R6
T 204- 943. 7501
F 204- 943. 7507



Crosier Kilgour & Partners Ltd.
CONSULTING STRUCTURAL ENGINEERS

Project
WINNIPEG TRANSIT GARAGE BUILDING
HOIST REPLACEMENT PROGRAM
421 OSBORNE STREET
WINNIPEG, MANITOBA

Sheet Title
DEMOLITION DETAILS

File	2018-1170	Date	2019-08-21
Design	IM	Drawn	JSR
Revision	Sheet No.		

0 S4.1