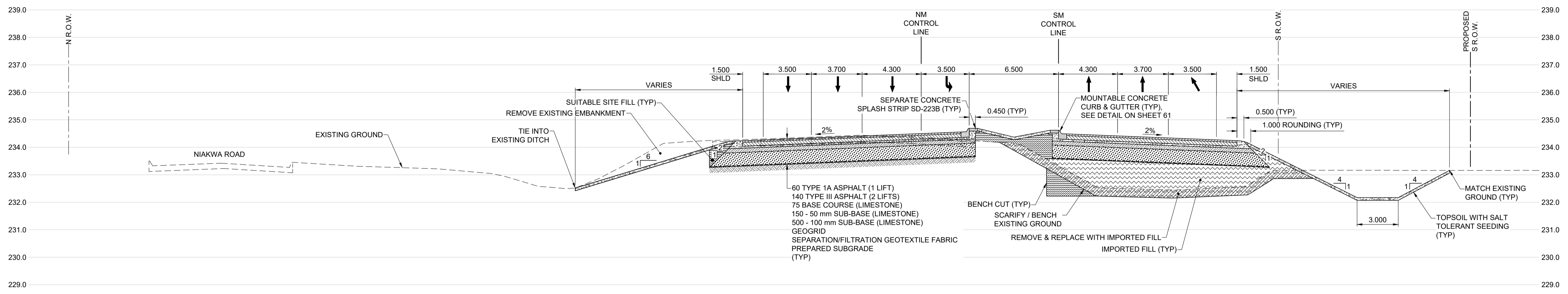


SECTION - STA 1+450 SM
 1:150 H 0 5.0m
 1:75 V 0 2.5m



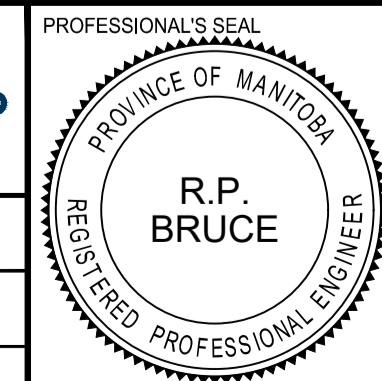
SECTION - STA 1+800 SM
 1:150 H 0 5.0m
 1:75 V 0 2.5m



TENDER No.8-2019

THE CITY OF WINNIPEG
PUBLIC WORKS DEPARTMENT
ENGINEERING DIVISION

2019/2020 REGIONAL STREET RENEWAL PROGRAM
FERMOR AVENUE
 FROM LAGIMODIERE BOULEVARD
 TO PLESSIS ROAD (CITY BOUNDARY)



CONSULTANT FILE NAME
 1804191-47-Fermor-XS-47.dwg



DESIGNED BY	WRJ	CHECKED BY	RPB
DRAWN BY	DML	APPROVED BY	BWB
HOR SCALE		1:150	
VERT SCALE		1:75	
RELEASED FOR CONSTRUCTION		N/A	
DATE		19/03/22	

LOCATION APPROVED UNDERGROUND STRUCTURES															
GBM ELEV	55-015														
	233.170														
<table border="1"> <tr> <td>NO.</td> <td>REVISIONS</td> <td>DATE</td> <td>BY</td> </tr> <tr> <td> </td> <td> </td> <td> </td> <td> </td> </tr> </table>				NO.	REVISIONS	DATE	BY								
NO.	REVISIONS	DATE	BY												
<table border="1"> <tr> <td>C</td> <td>ISSUED FOR TENDER</td> <td>19/03/22</td> <td>RPB</td> </tr> <tr> <td>B</td> <td>ISSUED FOR CLIENT REVIEW</td> <td>19/02/15</td> <td>RPB</td> </tr> <tr> <td>A</td> <td>ISSUED FOR 66% CLIENT REVIEW</td> <td>18/12/21</td> <td>RPB</td> </tr> </table>				C	ISSUED FOR TENDER	19/03/22	RPB	B	ISSUED FOR CLIENT REVIEW	19/02/15	RPB	A	ISSUED FOR 66% CLIENT REVIEW	18/12/21	RPB
C	ISSUED FOR TENDER	19/03/22	RPB												
B	ISSUED FOR CLIENT REVIEW	19/02/15	RPB												
A	ISSUED FOR 66% CLIENT REVIEW	18/12/21	RPB												

NOTE:
 LOCATION OF UNDERGROUND STRUCTURES AS SHOWN ARE BASED ON THE BEST INFORMATION AVAILABLE BUT NO GUARANTEE IS GIVEN THAT ALL EXISTING UTILITIES ARE SHOWN OR THAT THE GIVEN LOCATIONS ARE EXACT. CONFIRMATION OF EXISTENCE AND EXACT LOCATION OF ALL SERVICES MUST BE OBTAINED FROM THE INDIVIDUAL UTILITIES BEFORE PROCEEDING WITH CONSTRUCTION.

METRIC
 WHOLE NUMBERS INDICATE MILLIMETRES
 DECIMALIZED NUMBERS INDICATE METRES

CITY DRAWING NUMBER	P-3471-47
SHEET	47 OF 63
DRAWING No.	47

CROSS SECTIONS E & F