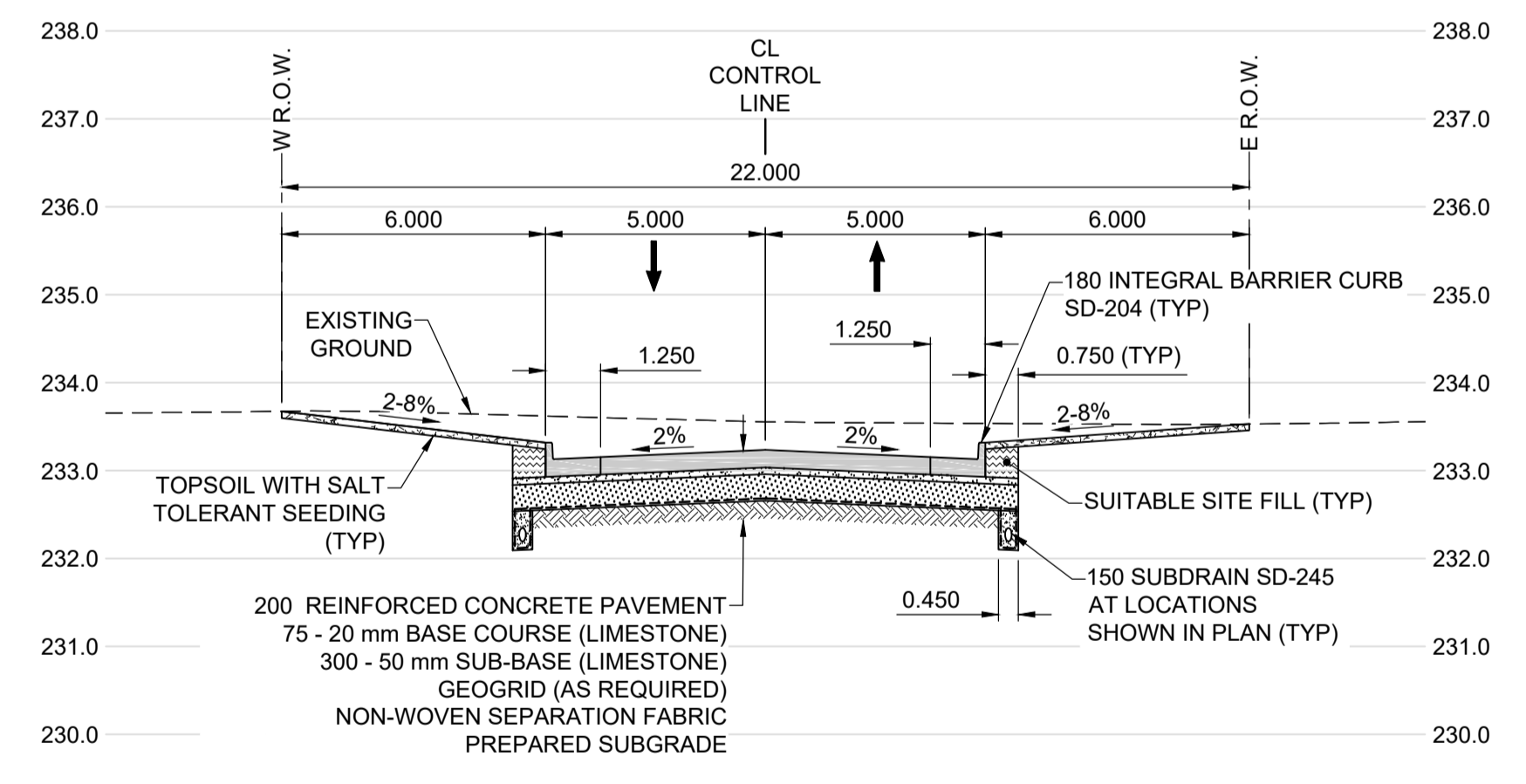
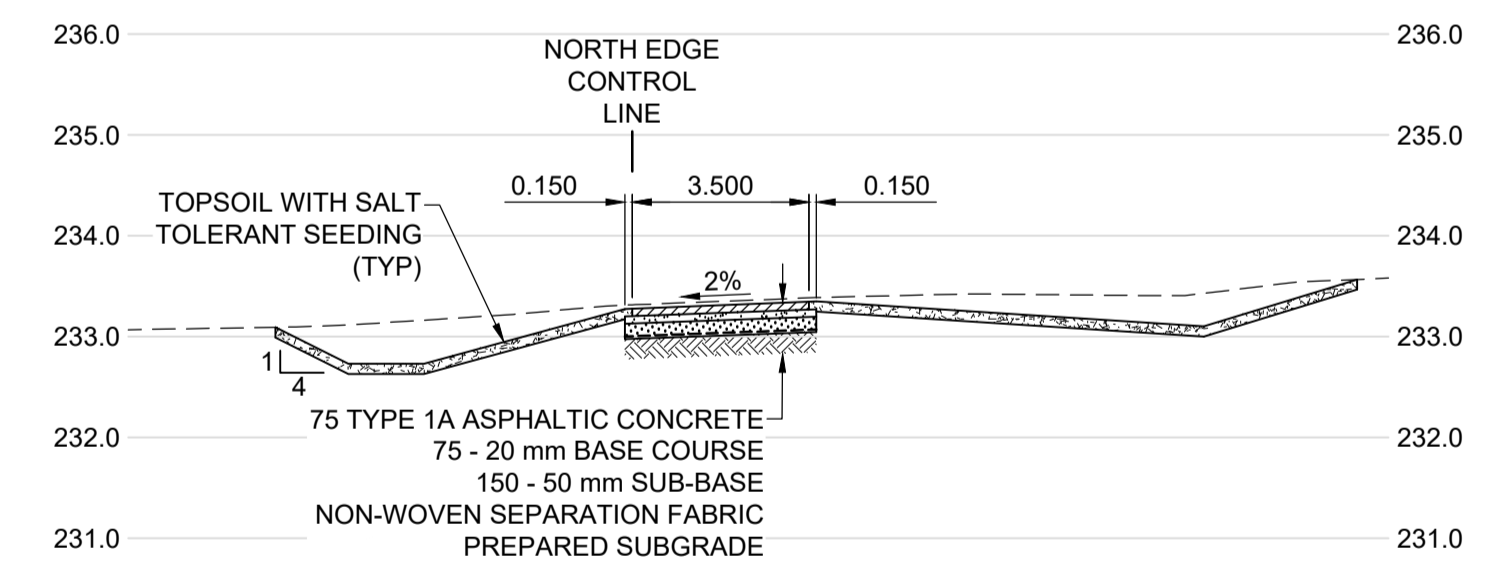


SECTION - STA 2+583 SM



ROYAL MINT DR SECTION - STA 0+160



FERMOR SOUTH PATH SECTION - STA 0+330

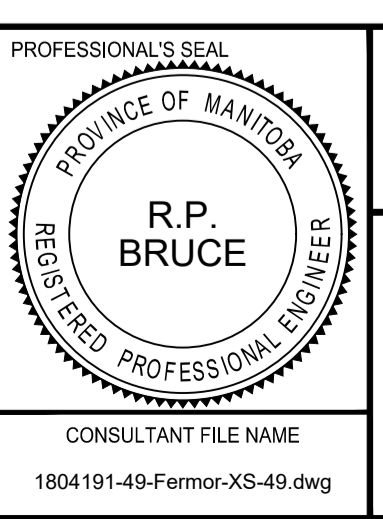


TENDER No. 8-2019

LOCATION APPROVED UNDERGROUND STRUCTURES			
SUPR. U/G STRUCTURES COMMITTEE	DATE		
NOTE: LOCATION OF UNDERGROUND STRUCTURES AS SHOWN ARE BASED ON THE BEST INFORMATION AVAILABLE BUT NO GUARANTEE IS GIVEN THAT ALL EXISTING UTILITIES ARE SHOWN OR THAT THE GIVEN LOCATIONS ARE EXACT. CONFIRMATION OF EXISTENCE AND EXACT LOCATION OF ALL SERVICES MUST BE OBTAINED FROM THE INDIVIDUAL UTILITIES BEFORE PROCEEDING WITH CONSTRUCTION.			
C	ISSUED FOR TENDER	19/03/22	RPB
B	ISSUED FOR CLIENT REVIEW	19/02/15	RPB
A	ISSUED FOR 66% CLIENT REVIEW	18/12/21	RPB
No.	REVISIONS	YY/MM/DD	BY

GBM ELEV	55-015	233.170
----------	--------	---------

MORRISON HERSHFIELD	
DESIGNED BY	WRJ
CHECKED BY	RPB
DRAWN BY	DML
APPROVED BY	BWB
HOR SCALE	1:150
VERT SCALE	1:75
RELEASED FOR CONSTRUCTION	N/A
DATE	19/03/22



THE CITY OF WINNIPEG PUBLIC WORKS DEPARTMENT ENGINEERING DIVISION	
2019/2020 REGIONAL STREET RENEWAL PROGRAM FERMOR AVENUE FROM LAGIMODIERE BOULEVARD TO PLESSIS ROAD (CITY BOUNDARY)	
CITY DRAWING NUMBER	P-3501-48
SHEET	49 OF 63
DRAWING No.	49
CROSS SECTIONS I, J & K	

METRIC
 WHOLE NUMBERS INDICATE MILLIMETRES
 DECIMALIZED NUMBERS INDICATE METRES