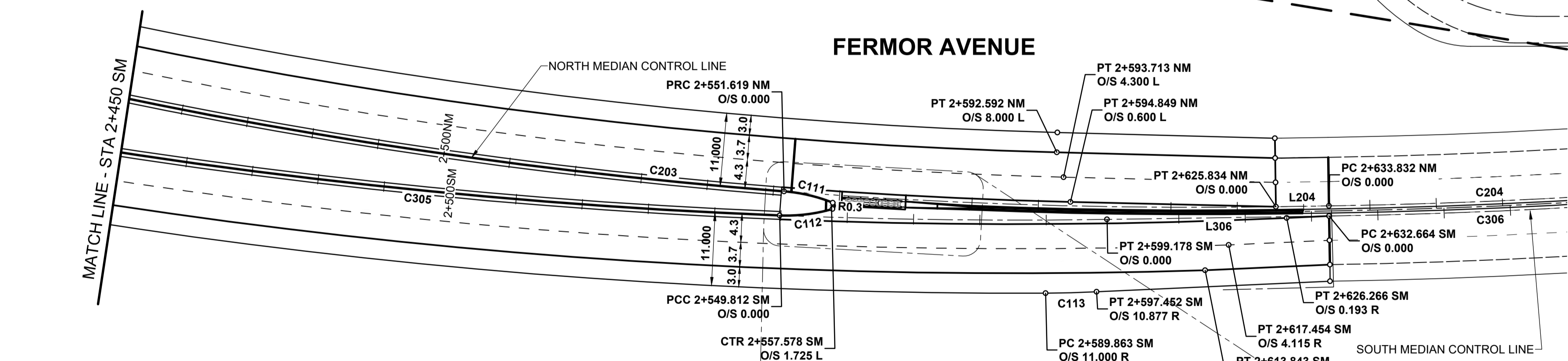


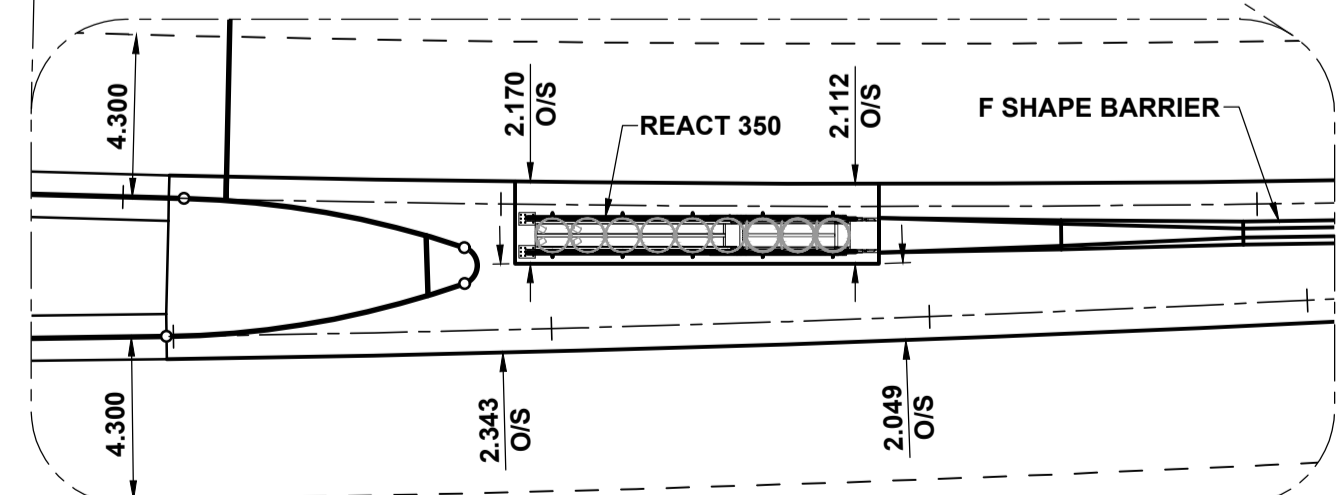
PLAN

SCALE: 1:500
 0 5 10 20 30m



| CURVE | RADIUS | LENGTH | DELTA | TANGENT |
|-------|---------|--------|-----------|---------|
| C90 | 190.000 | 12.647 | 3°48'50" | 6.326 |
| C91 | 190.000 | 12.647 | 3°48'50" | 6.326 |
| C92 | 190.000 | 12.647 | 3°48'50" | 6.326 |
| C93 | 190.000 | 12.647 | 3°48'50" | 6.326 |
| C94 | 48.500 | 7.879 | 9°18'28" | 3.948 |
| C95 | 50.000 | 20.401 | 23°22'39" | 10.344 |
| C96 | 25.000 | 29.079 | 66°38'38" | 16.436 |
| C97 | 50.000 | 22.219 | 25°27'39" | 11.296 |
| C98 | 31.500 | 16.576 | 30°09'02" | 8.485 |
| C99 | 56.500 | 8.833 | 8°57'27" | 4.426 |
| C100 | 970.000 | 32.854 | 1°56'26" | 16.429 |
| C101 | 31.500 | 22.313 | 40°35'05" | 11.647 |
| C102 | 50.000 | 22.219 | 25°27'39" | 11.296 |
| C103 | 25.000 | 33.632 | 77°04'41" | 19.914 |
| C104 | 50.000 | 20.401 | 23°22'39" | 10.344 |

| CURVE | RADIUS | LENGTH | DELTA | TANGENT |
|-------|---------|--------|-----------|---------|
| C105 | 48.500 | 7.879 | 9°18'28" | 3.948 |
| C106 | 12.000 | 17.839 | 85°10'21" | 11.029 |
| C107 | 12.000 | 19.516 | 93°10'59" | 12.686 |
| C108 | 190.000 | 15.797 | 4°45'49" | 7.903 |
| C109 | 187.000 | 12.980 | 3°58'38" | 6.493 |
| C110 | 190.000 | 8.675 | 2°36'57" | 4.338 |
| C111 | 25.000 | 7.558 | 17°19'16" | 3.808 |
| C112 | 25.000 | 8.047 | 18°26'29" | 4.058 |
| C113 | 190.000 | 7.682 | 2°19'00" | 3.842 |



ENGINEERS GEOSCIENTISTS MANITOBA
 Certificate of Authorization
MORRISON HERSHFIELD
 No. 1736

METRIC
 WHOLE NUMBERS INDICATE MILLIMETRES
 DECIMALIZED NUMBERS INDICATE METRES

LOCATION APPROVED
 UNDERGROUND STRUCTURES

DATE: _____
 SUPR. U/G STRUCTURES COMMITTEE

NOTE:
 LOCATION OF UNDERGROUND STRUCTURES AS SHOWN ARE BASED ON THE BEST INFORMATION AVAILABLE BUT NO GUARANTEE IS GIVEN THAT ALL EXISTING UTILITIES ARE SHOWN OR THAT THE GIVEN LOCATIONS ARE EXACT. CONFIRMATION OF EXISTENCE AND EXACT LOCATION OF ALL SERVICES MUST BE OBTAINED FROM THE INDIVIDUAL UTILITIES BEFORE PROCEEDING WITH CONSTRUCTION.

| NO. | REVISIONS | DATE | BY |
|-----|------------------------------|----------|-----|
| C | ISSUED FOR TENDER | 19/03/22 | RPB |
| B | ISSUED FOR CLIENT REVIEW | 19/02/15 | RPB |
| A | ISSUED FOR 66% CLIENT REVIEW | 18/12/21 | RPB |

MORRISON HERSHFIELD

DESIGNED BY: WRJ
 CHECKED BY: RPB
 DRAWN BY: DML
 APPROVED BY: BWB

HOR SCALE: 1:500
 VERT SCALE: N/A

RELEASED FOR CONSTRUCTION: N/A

DATE: 19/03/22

PROFESSIONAL'S SEAL
 PROVINCE OF MANITOBA
 REGISTERED PROFESSIONAL ENGINEER
R.P. BRUCE
 CONSULTANT FILE NAME: 1804191-6-Fermor-HG-6.dwg

| FERMOR AVE - NORTH MEDIAN - CONTROL LINE GEOMETRY | | | | | | | | | | |
|---|---------|---------|-----------|---------|---------------|----------|-----------|-------------|----------|-----------|
| NUMBER | LENGTH | RADIUS | DELTA | TANGENT | START STATION | NORTHING | EASTING | END STATION | NORTHING | EASTING |
| L202 | 506.749 | | | | 1+518.417 | 9960.243 | 10288.849 | 2+025.166 | 9973.607 | 10795.421 |
| C202 | 240.204 | 990.000 | 13°54'06" | 120.695 | 2+025.166 | 9973.607 | 10795.421 | 2+265.370 | 9950.891 | 11033.958 |
| L203 | 175.250 | | | | 2+265.370 | 9950.891 | 11033.958 | 2+440.621 | 9913.287 | 11205.126 |
| C203 | 185.214 | 800.000 | 13°15'54" | 93.023 | 2+440.621 | 9913.287 | 11205.126 | 2+625.834 | 9894.746 | 11388.994 |
| L204 | 7.997 | | | | 2+625.834 | 9894.746 | 11388.994 | 2+633.832 | 9894.868 | 11396.990 |
| C204 | 153.138 | 899.238 | 9°45'26" | 76.755 | 2+633.832 | 9894.868 | 11396.990 | 2+786.970 | 9910.200 | 11549.174 |

| FERMOR AVE - SOUTH MEDIAN - CONTROL LINE GEOMETRY | | | | | | | | | | |
|---|---------|---------|-----------|---------|---------------|----------|-----------|-------------|----------|-----------|
| NUMBER | LENGTH | RADIUS | DELTA | TANGENT | START STATION | NORTHING | EASTING | END STATION | NORTHING | EASTING |
| L304 | 506.749 | | | | 1+518.440 | 9950.247 | 10289.112 | 2+025.189 | 9963.610 | 10795.685 |
| C304 | 237.778 | 980.000 | 13°54'06" | 119.476 | 2+025.189 | 9963.610 | 10795.685 | 2+262.967 | 9941.124 | 11031.812 |
| L305 | 127.845 | | | | 2+262.967 | 9941.124 | 11031.812 | 2+390.812 | 9913.692 | 11156.680 |
| C305 | 208.366 | 900.000 | 13°15'54" | 104.651 | 2+390.812 | 9913.692 | 11156.680 | 2+599.178 | 9892.833 | 11363.531 |
| L306 | 33.486 | | | | 2+599.178 | 9892.833 | 11363.531 | 2+632.664 | 9893.344 | 11397.014 |
| C306 | 153.398 | 900.762 | 9°45'26" | 76.885 | 2+632.664 | 9893.344 | 11397.014 | 2+786.062 | 9908.703 | 11549.455 |

TENDER No.8-2019

THE CITY OF WINNIPEG
 PUBLIC WORKS DEPARTMENT
 ENGINEERING DIVISION

2019/2020 REGIONAL STREET RENEWAL PROGRAM
FERMOR AVENUE
 FROM LAGIMODIERE BOULEVARD
 TO PLESSIS ROAD (CITY BOUNDARY)

HORIZONTAL GEOMETRY
FERMOR AVENUE
 STA 1+770 SM TO STA 2+670 SM

CITY DRAWING NUMBER: P-3501-6
 SHEET 6 OF 63
 DRAWING No. **6**