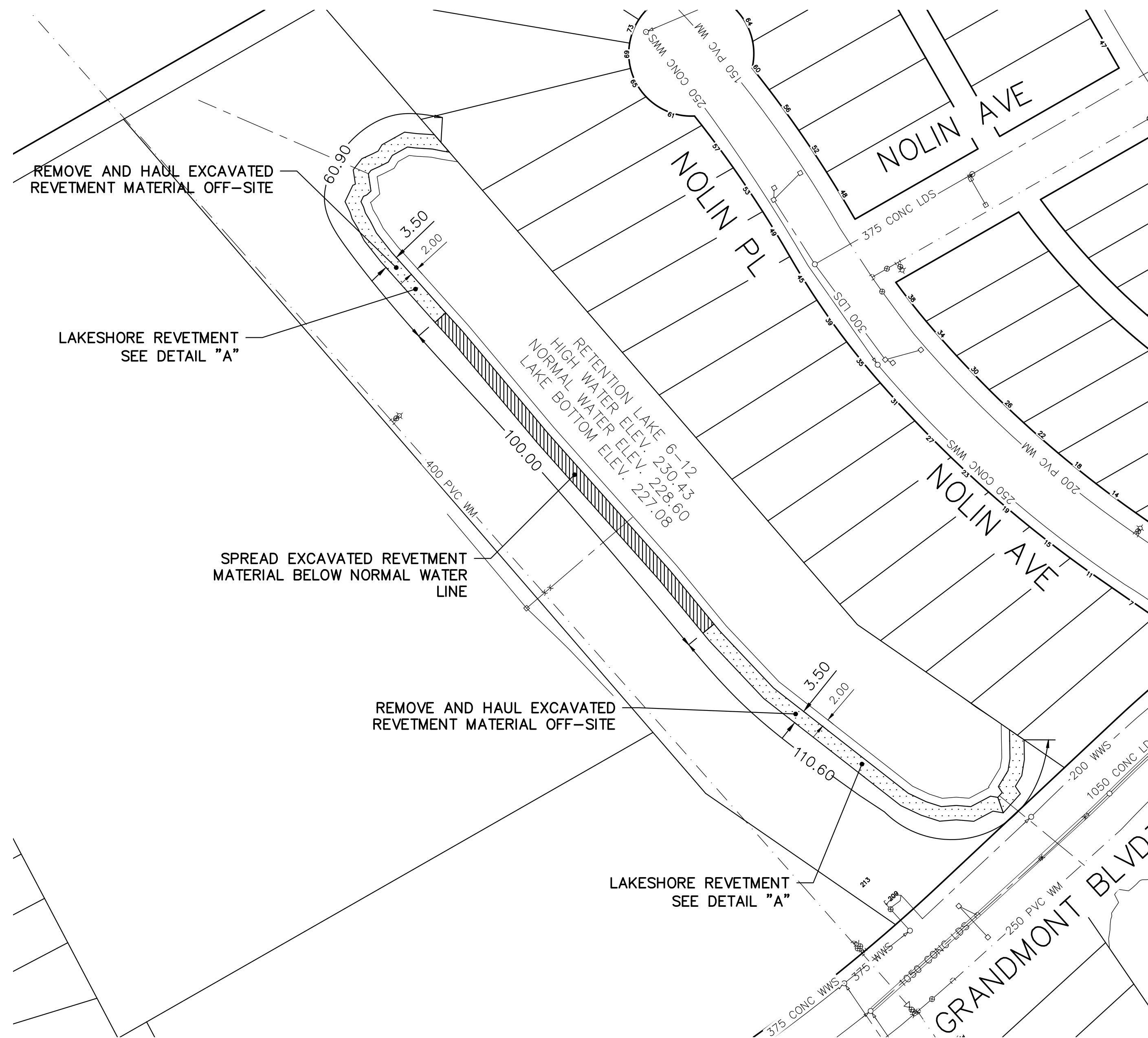


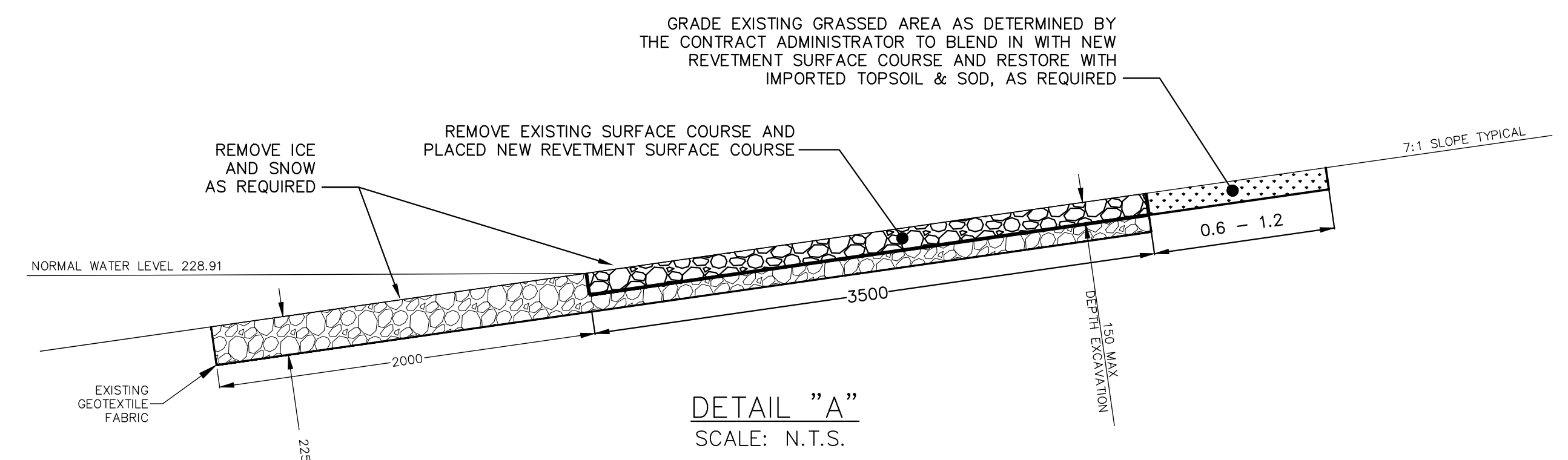
NOTES :

1. CONTRACTOR TO LAYOUT AND MARK EXISTING OUTFALL PIPES.
2. CONSTRUCTION ACCESS AS DETERMINED BY THE CONTRACT ADMINISTRATOR.
3. RESTORATION OF GRASSED AREAS TO BE WITH SOD USING IMPORTED TOPSOIL IN ACCORDANCE WITH CW 3510
4. RESTRICT CONSTRUCTION ACTIVITIES TO CITY PROPERTIES.
5. RESTORE ASPHALT PATHWAYS TO MATCH EXISTING, IN ACCORDANCE WITH CW 3410



LEGEND

- REMOVE AND HAUL OFF-SITE EXCAVATED REVETMENT COURSE MATERIAL
- SPREAD EXCAVATED REVETMENT MATERIAL BELOW NORMAL WATER LINE



METRIC
WHOLE NUMBERS INDICATE MILLIMETRES
DECIMALIZED NUMBERS INDICATE METRES

LOCATION APPROVED UNDERGROUND STRUCTURES		VERTICAL DATUM: CGVD28 (HT2.0 Geoid)		ENGINEER'S SEAL		PRELIMINARY NOT FOR CONSTRUCTION		THE CITY OF WINNIPEG WATER AND WASTE DEPARTMENT ENGINEERING DIVISION		2019 STORMWATER RETENTION BASIN REVENTMENT REPLACEMENT LAKE 6-12		SHEET 3 OF 3	
SUPV. U/G STRUCTURES COMMITTEE _____ DATE _____ NOTE: LOCATION OF UNDERGROUND STRUCTURES AS SHOWN ARE BASED ON THE BEST INFORMATION AVAILABLE BUT NO GUARANTEE IS GIVEN THAT ALL EXISTING UTILITIES ARE SHOWN OR THAT THE GIVEN LOCATIONS ARE EXACT. CONFIRMATION OF EXISTENCE AND EXACT LOCATION OF ALL SERVICES MUST BE OBTAINED FROM THE INDIVIDUAL UTILITIES BEFORE PROCEEDING WITH CONSTRUCTION.		HORIZONTAL DATUM: NAD83 (June 1990), Zone 14								CONSULTANT DRAWING NUMBER		LD-9529	
				DESIGNED BY DB		CHECKED BY SC		DATE		2019 09 23		PLOT DATE: 2019 09 23	
				DRAWN BY RS		APPROVED BY KZ		SCALE: HORIZONTAL 1:750 VERTICAL -		FILE PATH: O:\RSokolowsky\Work Requests\D. Berg\Retention ponds\		FILE NAME: LD-9529.dwg	
				NO.		REVISIONS		DATE		BY		CONTRACT NUMBER: X	