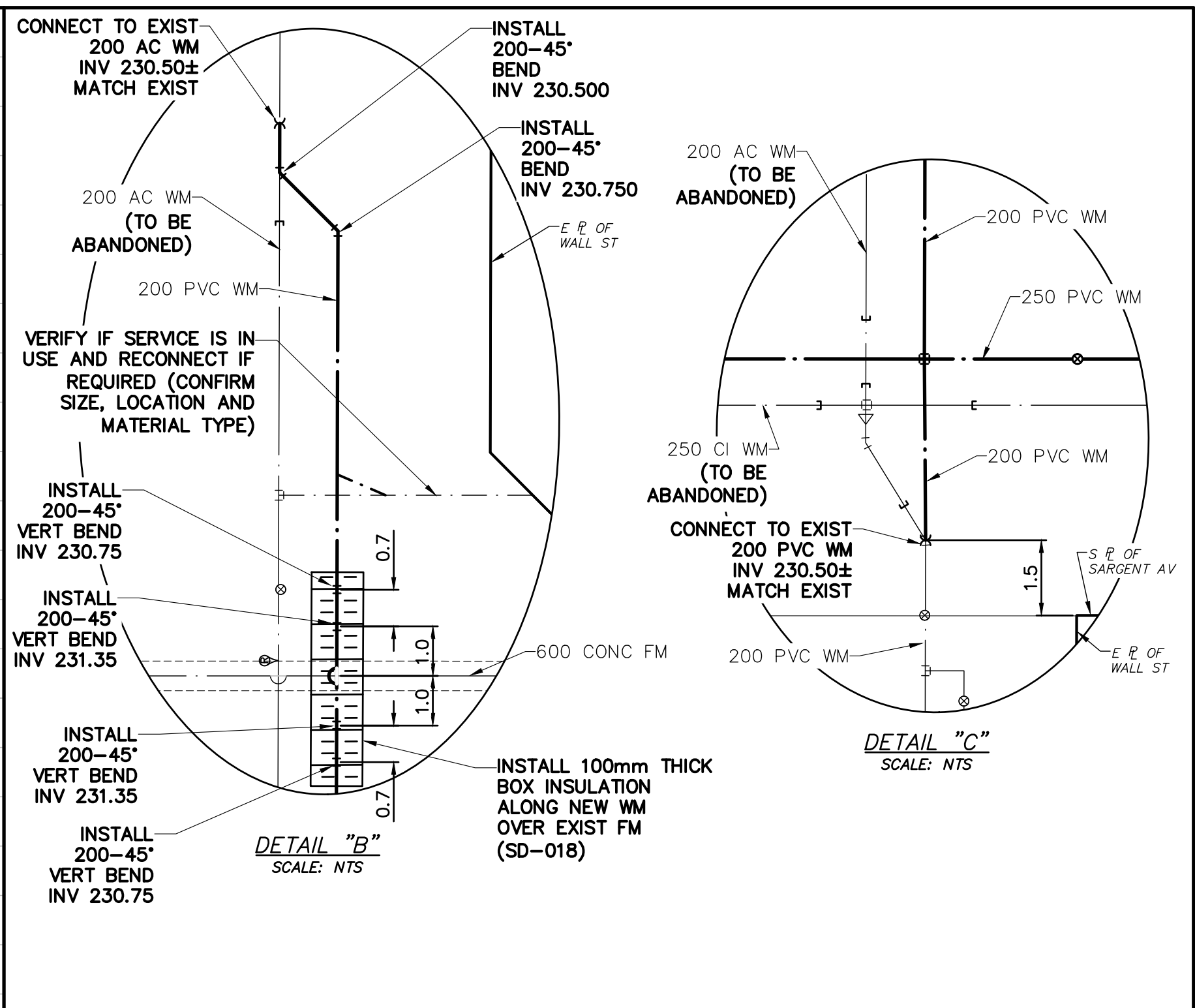


NOTE: CHAINAGES SHOWN ARE ALONG S.P. OF SARGENT AVENUE



INSTALLATION EQUIPMENT FOR THE PROPOSED WORKS SHALL NOT CROSS OR TRAVEL ALONG EITHER SIDE OF THE FEEDERMAIN WITHIN A LATERAL DISTANCE OF 5.0 METERS FROM THE CENTERLINE OF THE FEEDERMAIN.

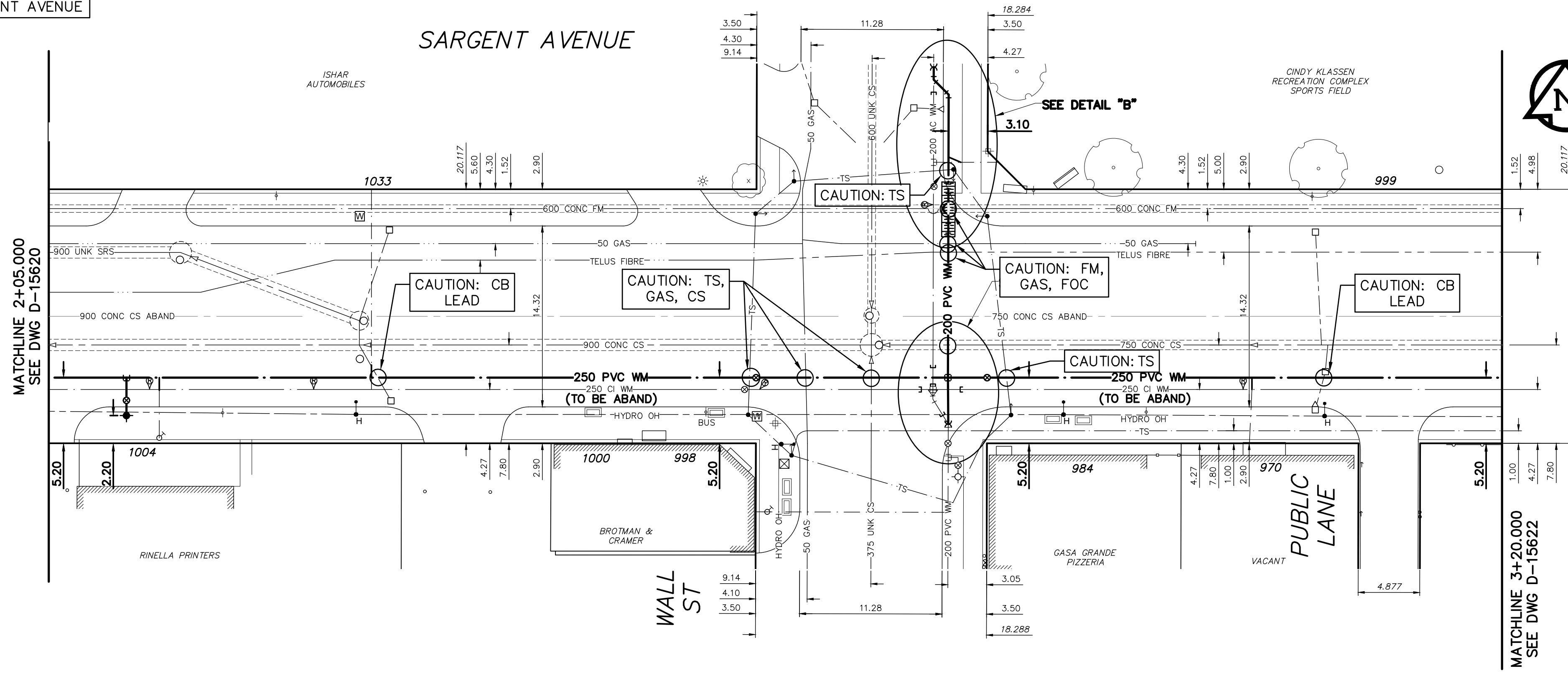
CONCRETE DEMOLITION AND REMOVAL WITHIN 3 METERS HORIZONTALLY OF THE FEEDERMAIN SHALL BE COMPLETED BY SAWCUTTING AND REMOVAL, OR BY THE USE OF HAND HELD JACKHAMMERS. USE OF MACHINE MOUNTED CONCRETE BREAKERS ABOVE THE FEEDERMAIN SHALL NOT BE PERMITTED.

DO NOT OPERATE VIBRATORY EQUIPMENT OVER OR WITHIN 3.0 METERS OF THE FEEDERMAIN.

A MINIMUM CLEARANCE OF 1.0 METER MUST BE PROVIDED BETWEEN THE UNDERSIDE OF ANY EXISTING FEEDERMAIN AND THE TOP OF THE PROPOSED WORKS. THIS INSTALLATION BY TRENCHLESS METHOD ONLY

A MINIMUM CLEARANCE OF 0.5 METER MUST BE PROVIDED BETWEEN THE UNDERSIDE OF THE PROPOSED WORKS AND THE TOP OF ANY EXISTING FEEDERMAIN BY TRENCHLESS METHOD OR OPEN TRENCH

A SHAFT MUST BE EXCAVATED BY SOFT DIG METHODS 4.0 METERS FROM THE CENTERLINE OF THE FEEDERMAIN TO CONFIRM THE ALIGNMENT AND ELEVATION OF THE DRILLING ROD BEFORE IT CROSSES OVER OR UNDER THE FEEDERMAIN. THIS CONFIRMATION MUST BE WITNESSED BY A CITY REPRESENTATIVE.



WATER SERVICE INFORMATION

ADDRESS	SIZE (mm) MATERIAL (STREET)	SIZE (mm) MATERIAL (PROP.)	SHORT & LONG MEASUREMENT	CORP. LOCATION	REMARKS
970 SARGENT AV	20	-	3.8 EWL, B	0.2 E CURB STOP	RECONNECT SERVICE
984 SARGENT AV	CU	-	5.4 EWL, #70 SARGENT	-	RECONNECT SERVICE
998/1000 SARGENT AV	-	-	-	-	SERVICED OFF WALL ST OUTSIDE RENEWAL LIMITS
999 SARGENT AV	50	-	-	OPP CURB STOP	RECONNECT SERVICE
999 SARGENT AV	CU	-	17.9 EEL GOULDING	-	DOMESTIC SERVICE
1004 SARGENT AV	-	-	-	-	FIRE SERVICE - 2 SUMMER SERVICES TAPPED OFF THIS LINE
1033 SARGENT AV	-	-	-	-	RECONNECT SERVICE

* SERVICES TO BE RENEWED TO R. ALL OTHERS TO BE RECONNECTED

FOR INDEX SEE D-15619

NOTE: ALL VALVES TO BE INSTALLED COUNTERCLOCKWISE TO CLOSE

ENGINEERS GEOSCIENTISTS MANITOBA
Certificate of Authorization
MORRISON HERSHFIELD
No. 1736

METRIC
WHOLE NUMBERS INDICATE MILLIMETRES
DECIMALIZED NUMBERS INDICATE METRES

HORIZONTAL: 0.0, 5.0, 10.0, 15.0, 20.0, 25.0
VERTICAL: 0.0, 1.0, 2.0, 3.0, 4.0, 5.0

WARNING
IF POWER EQUIPMENT OR EXPLOSIVES ARE TO BE USED FOR EXCAVATION ON THIS PROJECT THE CONTRACTOR MUST:
1) NOTIFY THE GAS COMPANY OF THE PROPOSED LOCATION OF EXCAVATION.
2) TAKE PRECAUTION TO AVOID DAMAGE TO GAS COMPANY INSTALLATIONS.
SEE PROVINCIAL REGULATION 210/72 FOR DETAILS

LOCATION APPROVED UNDERGROUND STRUCTURES
SUPV. U/G STRUCTURES COMMITTEE DATE
NOTE:
LOCATION OF UNDERGROUND STRUCTURES AS SHOWN ARE BASED ON THE BEST INFORMATION AVAILABLE BUT NO GUARANTEE IS GIVEN THAT ALL EXISTING UTILITIES ARE SHOWN OR THAT THE GIVEN LOCATIONS ARE EXACT. CONFIRMATION OF EXISTENCE AND EXACT LOCATION OF ALL SERVICES MUST BE OBTAINED FROM THE INDIVIDUAL UTILITIES BEFORE PROCEEDING WITH CONSTRUCTION.

B.M. 36-061
ELEV. 233.359 m

N.W. Cor. Sargent Ave. & Garfield St. N., Tblt. in S. Conc. foundation of Sargent Ave. Mennonite Church, 0.5 m W. & 1.7 m below brick of S.E. Cor. of Bldg.

NO.	REVISIONS	DATE	BY

MORRISON HERSHFIELD

DESIGNED BY: JKH
CHECKED BY: HAK
DRAWN BY: DML
APPROVED BY: HAK
SCALE: HORIZONTAL 1:250, VERTICAL 1:50
RELEASED FOR CONSTRUCTION: KAS ZUREK
DATE: 2019 12 20, DATE: 2020 01 29

ENGINEER'S SEAL
ORIGINAL SIGNED BY H.A. KATZ
2020 01 29
CONSULTANT DRAWING NUMBER

THE CITY OF WINNIPEG
WATER AND WASTE DEPARTMENT
ENGINEERING DIVISION

2020 WATER MAIN RENEWAL - CONTRACT 7
SARGENT AVENUE - ERIN ST TO LIPTON ST
SARGENT AVENUE
56 W OF WALL STREET TO
23 W OF GOULDING STREET

SHEET 20 OF 26
CITY DRAWING NUMBER
D-15621