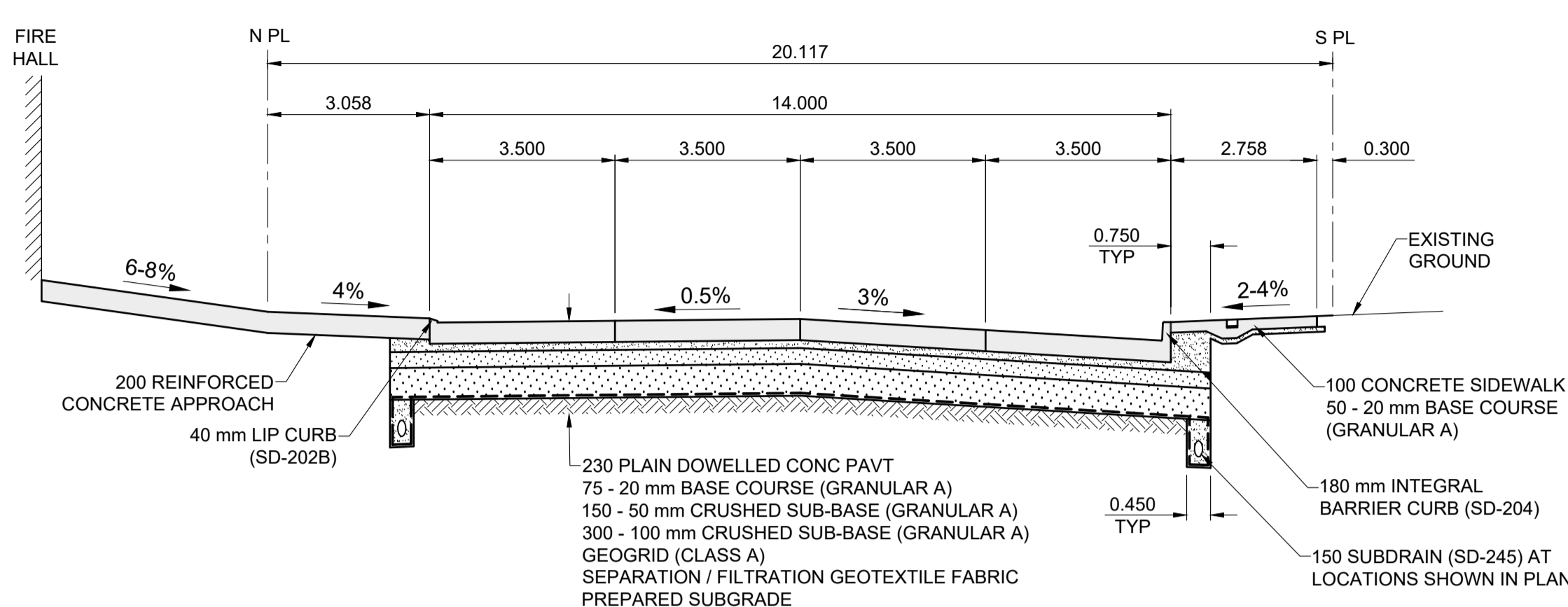


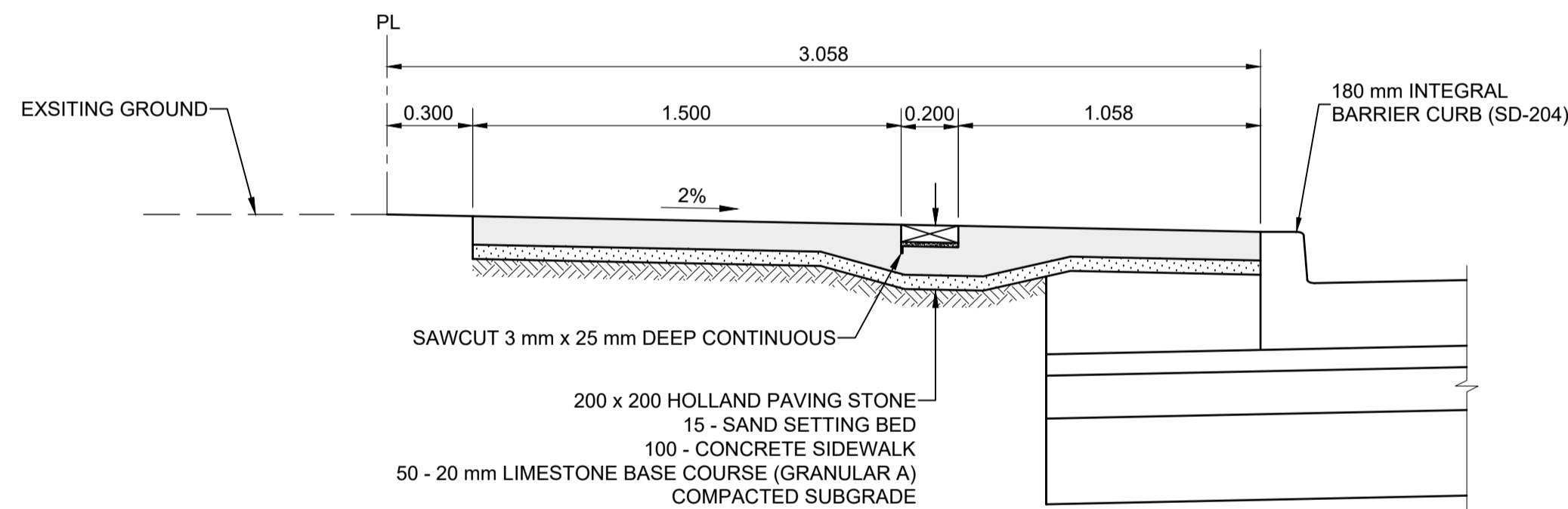
TYPICAL PAVEMENT SECTION

SCALE: 1:100 H
0 2.0 4.0m
SCALE 1:50 V
0 1.0 2.0m



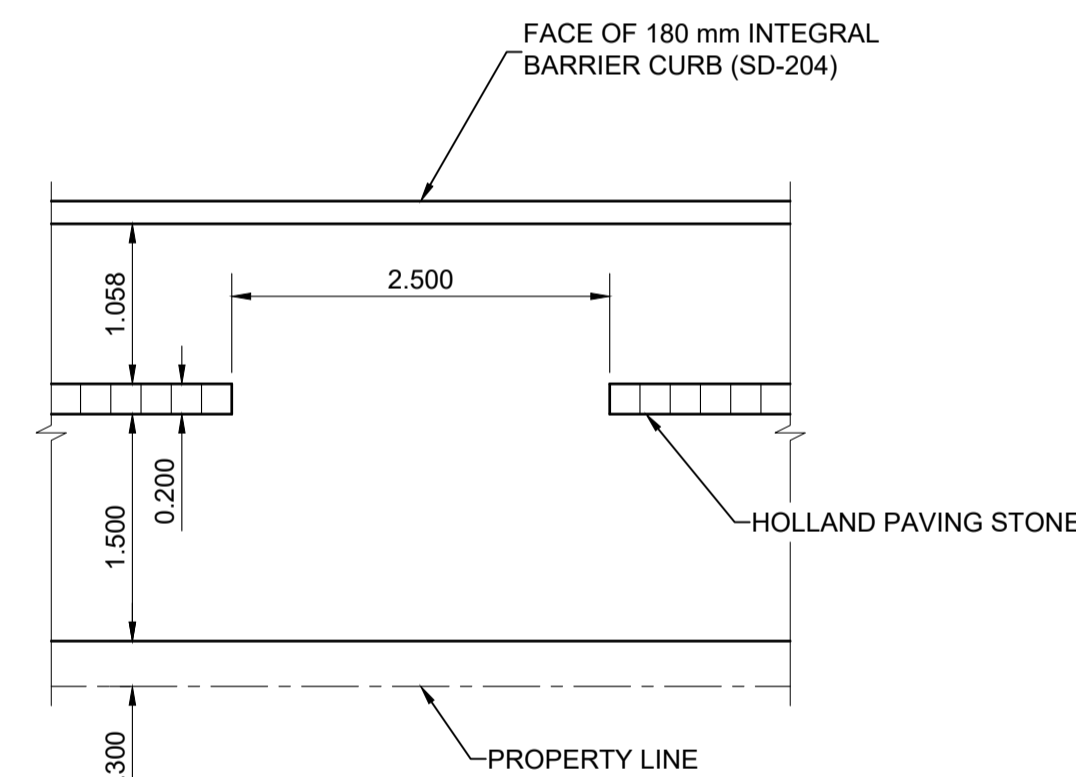
**PAVEMENT SECTION AT FIRE HALL
STA 1+048.490 TO 1+070.000**

SCALE: 1:100 H
0 2.0 4.0m
SCALE 1:50 V
0 1.0 2.0m



TYPICAL SIDEWALK SECTION

SCALE: 1:20
0 0.5 1.0m



TYPICAL BUS STOP PLAN

SCALE: 1:50
0 0.5 1.0 2.0 3.0m

METRIC
WHOLE NUMBERS INDICATE MILLIMETRES
DECIMALIZED NUMBERS INDICATE METRES

LOCATION APPROVED UNDERGROUND STRUCTURES

SUPR. U/G STRUCTURES DATE
NOTE:
LOCATION OF UNDERGROUND STRUCTURES AS SHOWN ARE BASED ON THE BEST INFORMATION AVAILABLE BUT NO GUARANTEE IS GIVEN THAT ALL EXISTING UTILITIES ARE SHOWN OR THAT THE GIVEN LOCATIONS ARE EXACT. CONFIRMATION OF EXISTENCE AND EXACT LOCATION OF ALL SERVICES MUST BE OBTAINED FROM THE INDIVIDUAL UTILITIES BEFORE PROCEEDING WITH CONSTRUCTION.

BM 37-59	NE Cor. Erin St. & Richard Ave., Tblt. in W. Conc.		
ELEV 233.277 m	Foundation No. 1525 Erin St., 1 m N. & 0.7 m below back of S.W. Cor. of Blg.		
B	ISSUED FOR TENDER	20/02/27	RPB
A	ISSUED FOR REVIEW	20/02/03	RPB
No.	REVISIONS	YYMMDD	BY



DESIGNED BY	WRJ	CHECKED BY	RPB
DRAWN BY	DML	APPROVED BY	BWB
HOR SCALE		RELEASED FOR CONSTRUCTION	
VERT SCALE		DATE	
DATE		20/02/03	

PROFESSIONAL'S SEAL
PRELIMINARY DRAWING
NOT TO BE USED FOR CONSTRUCTION
CONSULTANT FILE NAME
1903792-Sargent-XS-01.dwg



THE CITY OF WINNIPEG PUBLIC WORKS DEPARTMENT ENGINEERING DIVISION

2020 PAVEMENT RENEWALS PROJECT SARGENT AVENUE RECONSTRUCTION ERIN STREET TO ARLINGTON STREET

CITY DRAWING NUMBER: P-3519-17
SHEET 17 OF 26
DRAWING NUMBER: 17

SECTIONS AND DETAILS

TENDER No. 10-2020