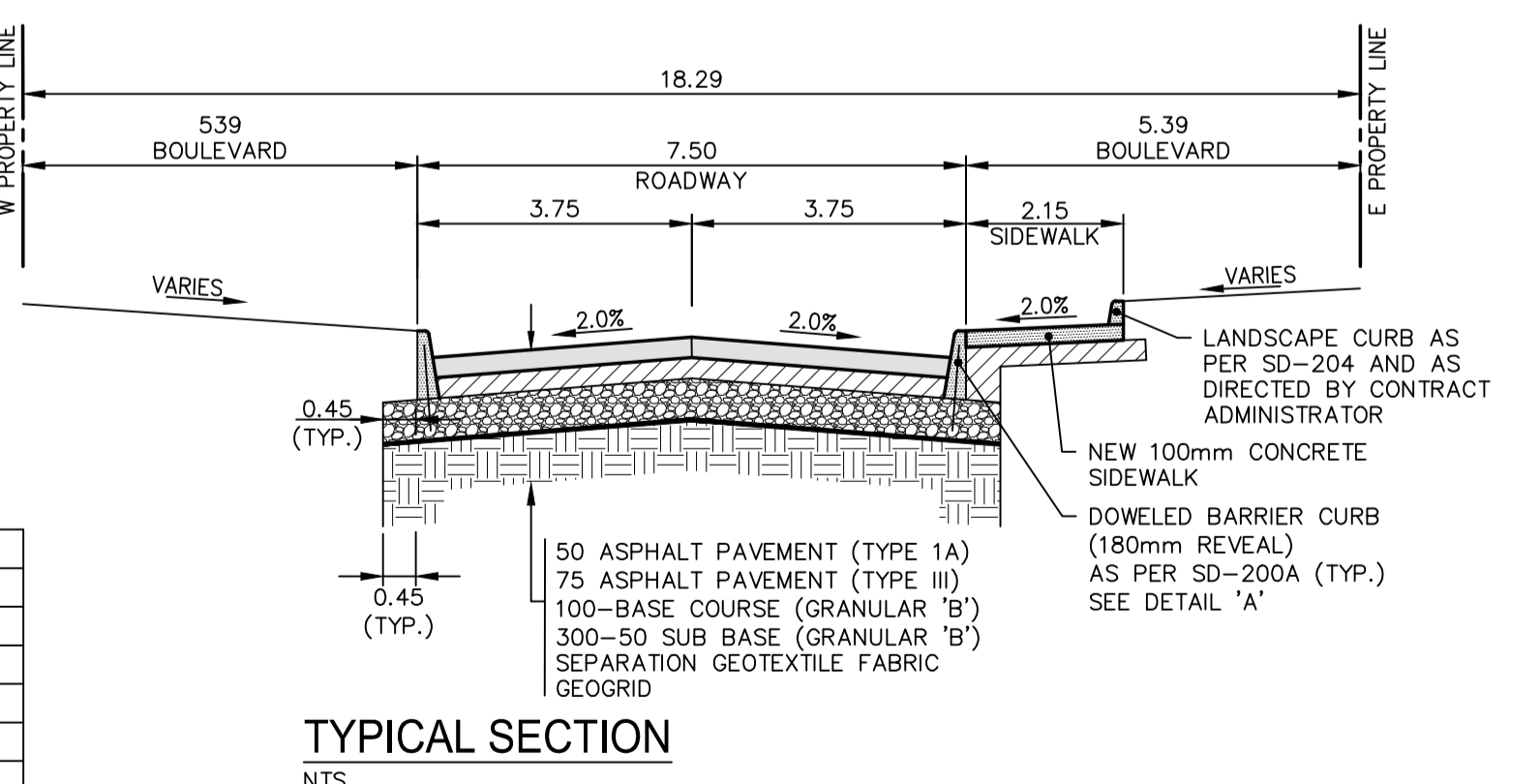
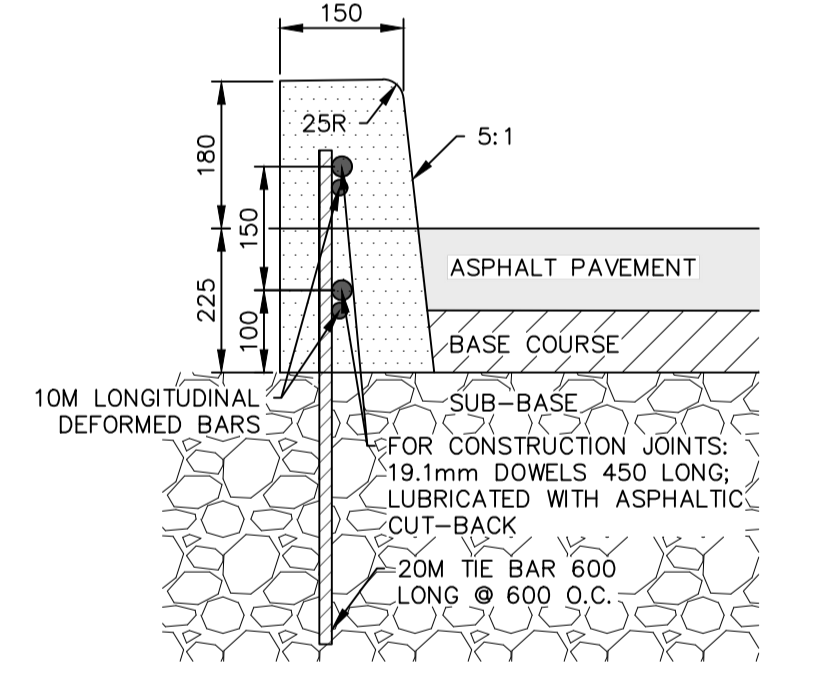
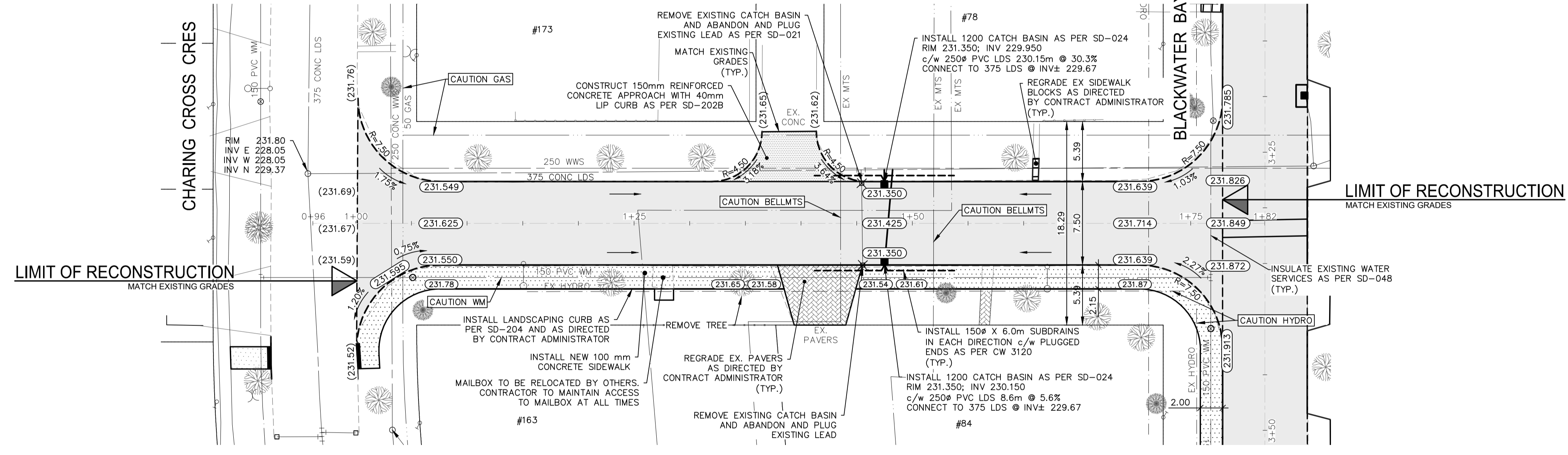


BLACKWATER BAY



- NOTES:**
- ALL WORK AND MATERIALS TO BE IN ACCORDANCE WITH THE LATEST REVISION OF THE CITY OF WINNIPEG STANDARD CONSTRUCTION SPECIFICATIONS.
 - CONTRACTOR TO CONFIRM THE LOCATION OF ALL UTILITIES/SERVICES IN THE FIELD PRIOR TO CONSTRUCTION.
 - ALL ROADWAY DIMENSIONS SHOWN ARE TO BACK OF CURB.
 - RENEW CURB AND SIDEWALK AS IDENTIFIED BY CONTRACT ADMINISTRATOR.
 - ALL PRIVATE WALKWAYS TO BE ADJUSTED TO NEW SIDEWALK OR TOP OF CURB ELEVATION, AS REQUIRED.
 - ADJUST MH FRAMES, CB RIMS, AND VALVES TO NEW GRADES, AS REQUIRED.
 - MODIFIED BARRIER CURB TO BE CONSTRUCTED AT ALL INTERSECTION RADII AND BACK LANE RADII.
 - INSTALL 40mm LIP CURB THROUGH ALL RESIDENTIAL APPROACHES.
 - LAMP STANDARDS, HYDRO POLES, AND ANCHORS THAT REQUIRE TEMPORARY SUPPORT, REMOVAL OR REPLACEMENT, TO BE DONE SO AT THE EXPENSE OF THE CONTRACTOR AS NECESSARY.
 - CONTRACTORS TO TAKE PRECAUTIONARY STEPS TO PROTECT EXISTING TREES WITHIN THE LIMITS OF CONSTRUCTION FROM DAMAGE FROM CONSTRUCTION ACTIVITIES AS OUTLINED IN THE SPECIFICATIONS.
 - ALL BOULEVARDS TO BE SODDED UNLESS OTHERWISE NOTED.
 - ADJUST ALL WATER VALVES, HYDRANTS, MANHOLES, AND CATCH BASINS IN WORK AREA TO GRADE.

EXISTING	LEGEND-PLAN	PROPOSED	EXISTING	LEGEND-PLAN	PROPOSED	EXISTING	LEGEND-PROFILE	PROPOSED
---	WATER MAIN	---	---	IRON BAR	---	---	---	---
---	LAND DRAINAGE SEWER	---	---	HYDRO POLE & LIGHT STANDARD	---	---	---	---
---	WASTE WATER SEWER	---	---	LIGHT STANDARD OR TRAFFIC SIGNAL	---	---	---	---
---	HYDRO	---	---	HYDRO POLE	---	---	---	---
---	BELL/MTS	---	---	CURB RAMP	---	---	---	---
---	GAS	---	---	DETECTABLE WARNING SURFACE TILE	---	---	---	---
---	SIGNALS	---	---	EDGE OF SIDEWALK	---	---	---	---
○	MANHOLE	○	---	FENCE	---	---	---	---
□	CATCH BASIN	□	---	PROPERTY LINE	---	---	---	---
△	CURB INLET	△	---	EDGE OF ASPHALT	---	---	---	---
∩	UTILITIES ADJUSTED	∩	---	EDGE OF CONCRETE	---	---	---	---
+	PLUG	+	---	MODIFIED BARRIER CURB	---	---	---	---
◇	HYDRANT	◇	---	BARRIER CURB	---	---	---	---
⊗	VALVE	⊗	---	BARRIER CURB AND GUTTER	---	---	---	---
⊙	CURB STOP	⊙	---	CONC SIDEWALK	---	---	---	---
230.99	GROUND GRADE	(231.00)	---	CONCRETE SLAB	---	---	---	---
---	PAVEMENT GRADE	(231.00)	---	ASPHALT	---	---	---	---
---	ANCHOR	---	---	MILLED SURFACE	---	---	---	---
#111	CIVIC ADDRESS	---	---	ASPHALT JOINT REPAIR	---	---	---	---

NO.	REVISIONS	DATE	BY
A	ISSUED FOR PRELIMINARY DESIGN REVIEW	20200304	RH
B	ISSUED FOR DETAILED DESIGN	20200313	RH
C	ISSUED FOR TENDER	20200319	RH

FOR TENDER PURPOSES ONLY
NOT FOR CONSTRUCTION

WSP
WSP Canada Group Limited
Suite 111 - 93 Lombard Ave
Winnipeg, MB R3B 3B1
t. 204.943.3178
f. 204.943.4948
www.wsp.com

THE CITY OF WINNIPEG
PUBLIC WORKS DEPARTMENT
ENGINEERING SERVICES DIVISION

2020 LOCAL STREET PACKAGE
BLACKWATER BAY

ASPHALT RECONSTRUCTION
STA. 1+00 TO STA. 1+77.93

TENDER NO. 108-2020

Apr. 01, 2020 - 9:39am
P:\2019\19M-01795-00 - 2020 Local Street and Asphalt Alley 20-R-05 and 20-L-01\05 2020 Local Streets\03 Working Drawings\19M-01795-00 Blackwater Bay_Recon_Plan&Profile.dwg -tab:108-2020_Drawing_19M-01795-00-01-RC