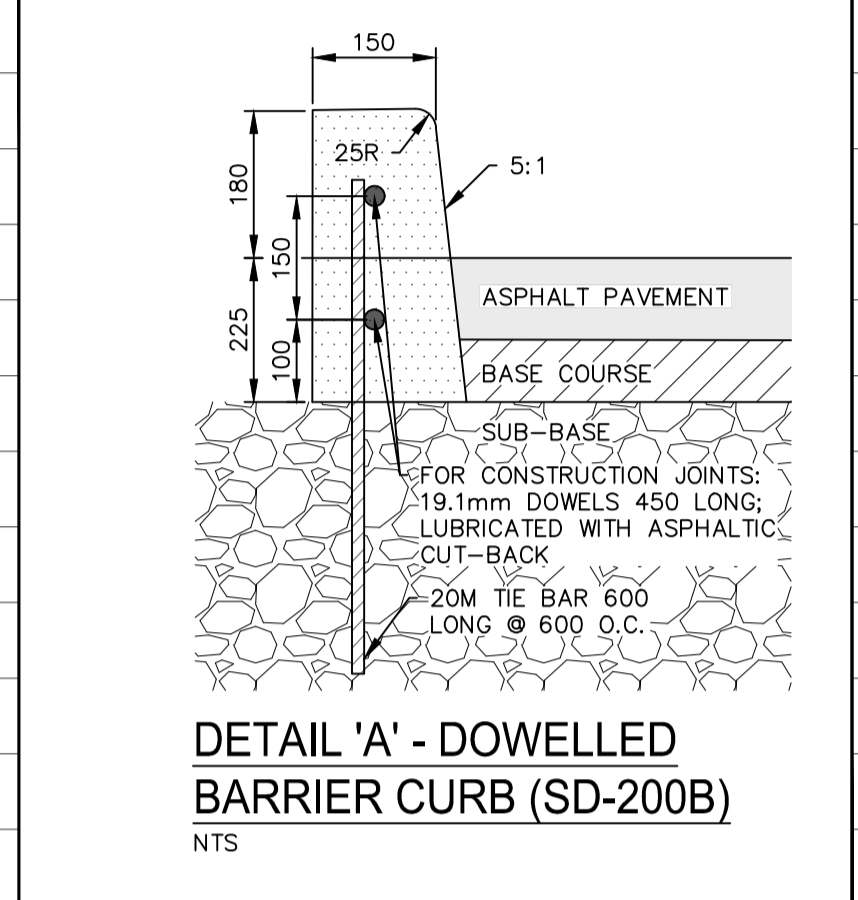
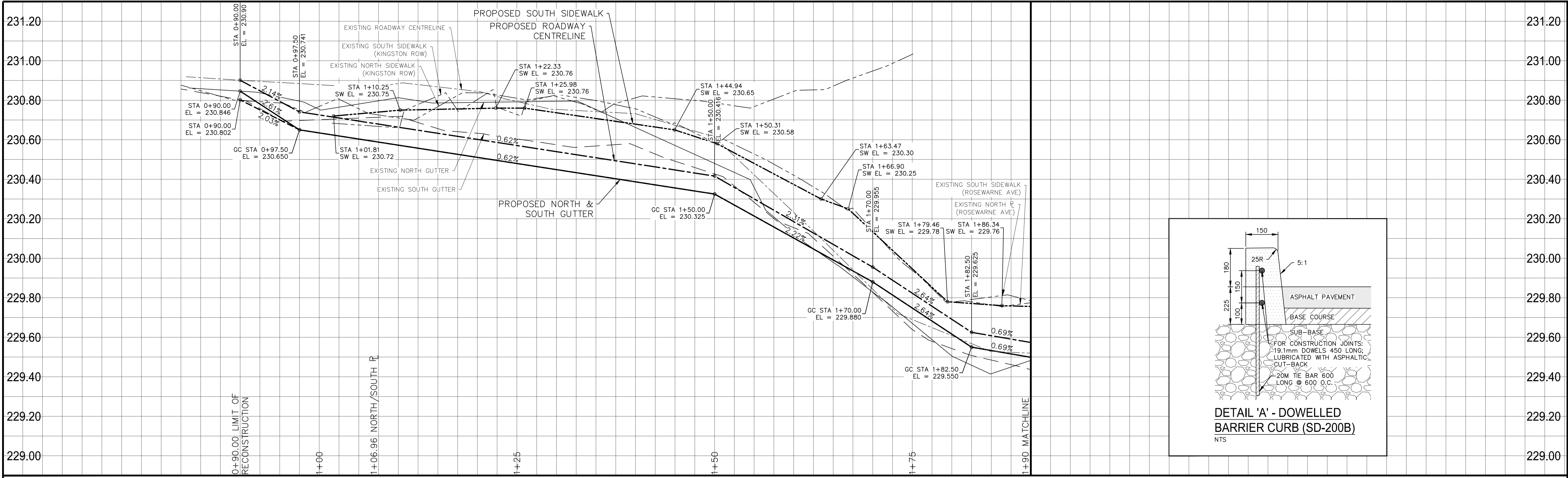
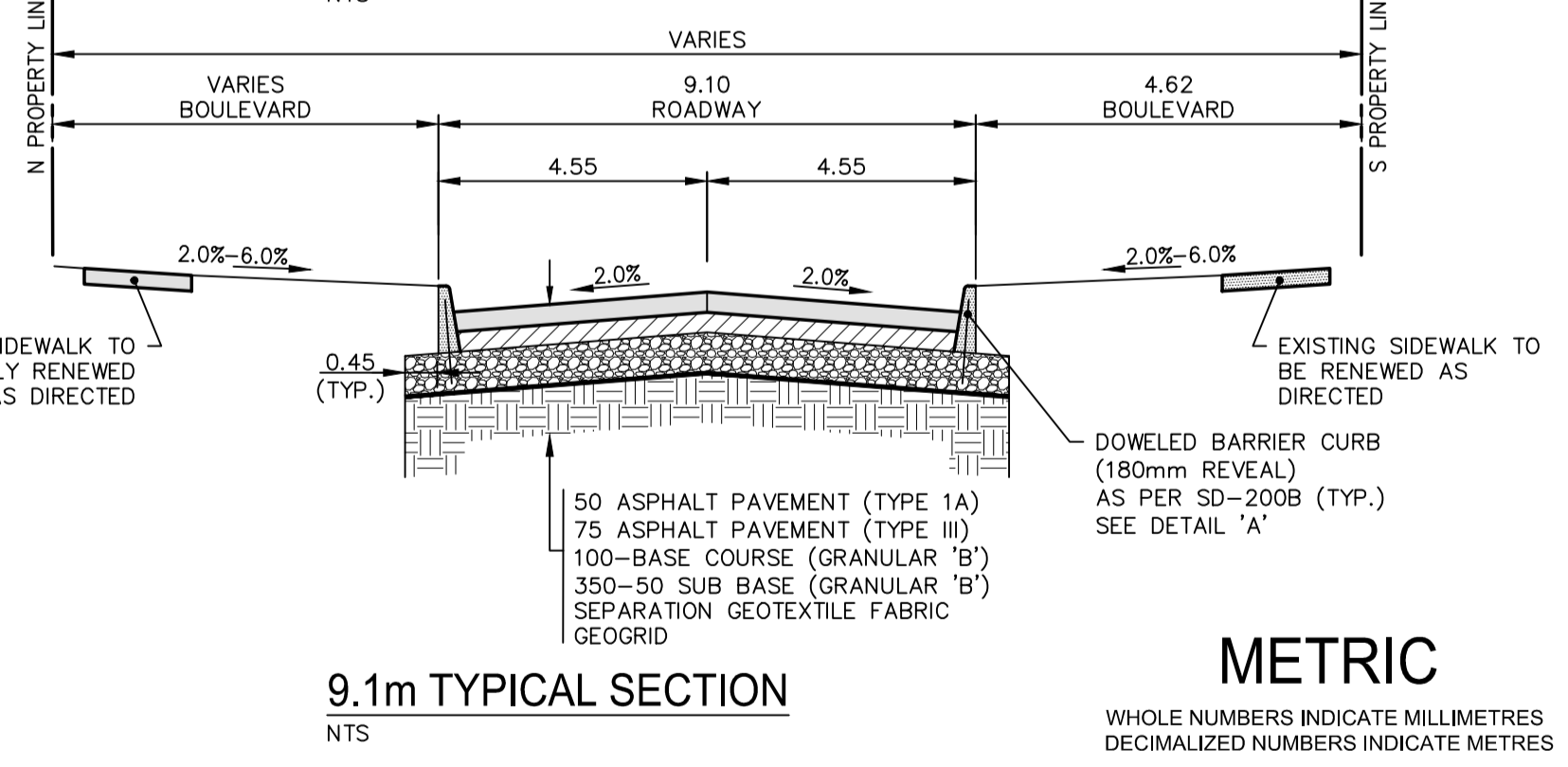
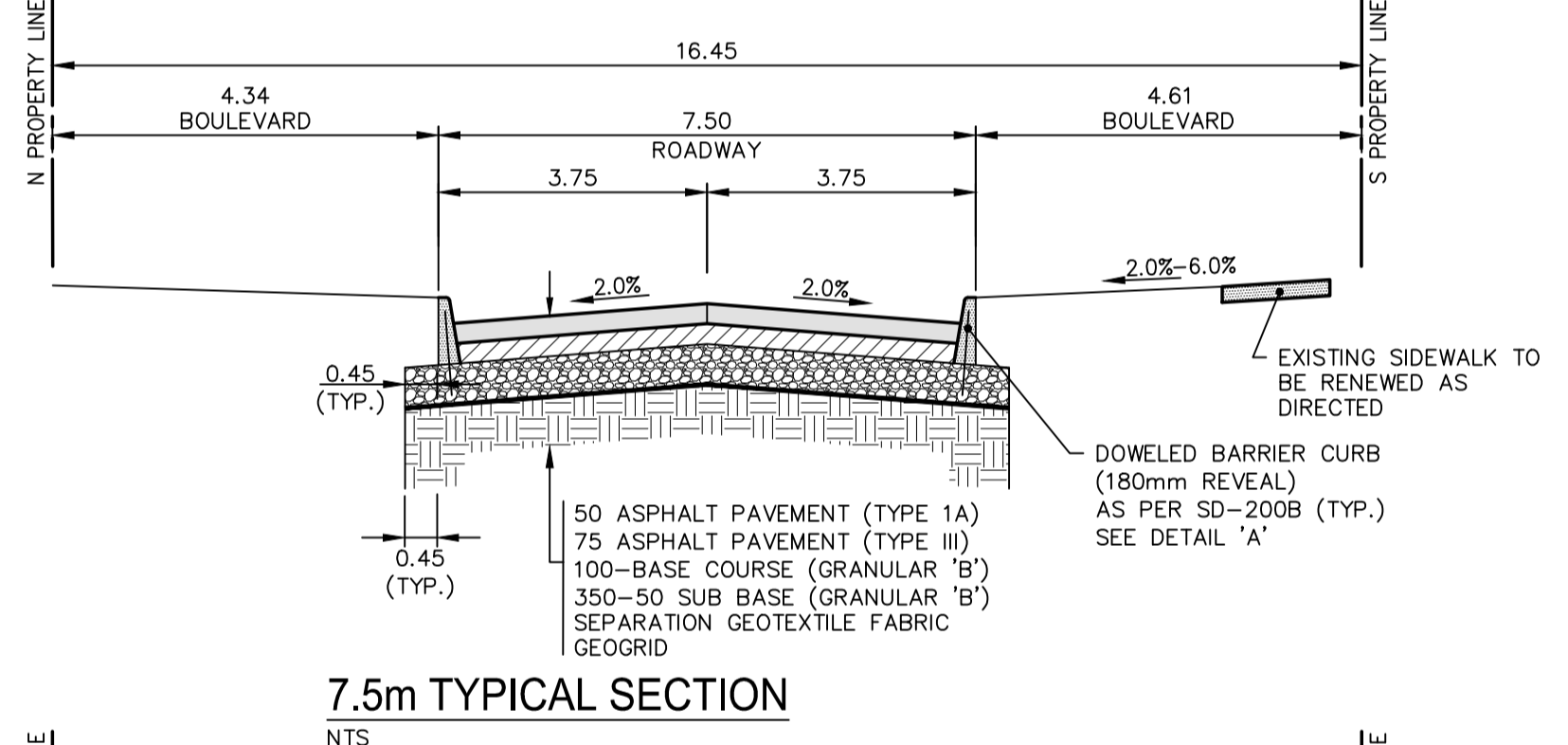
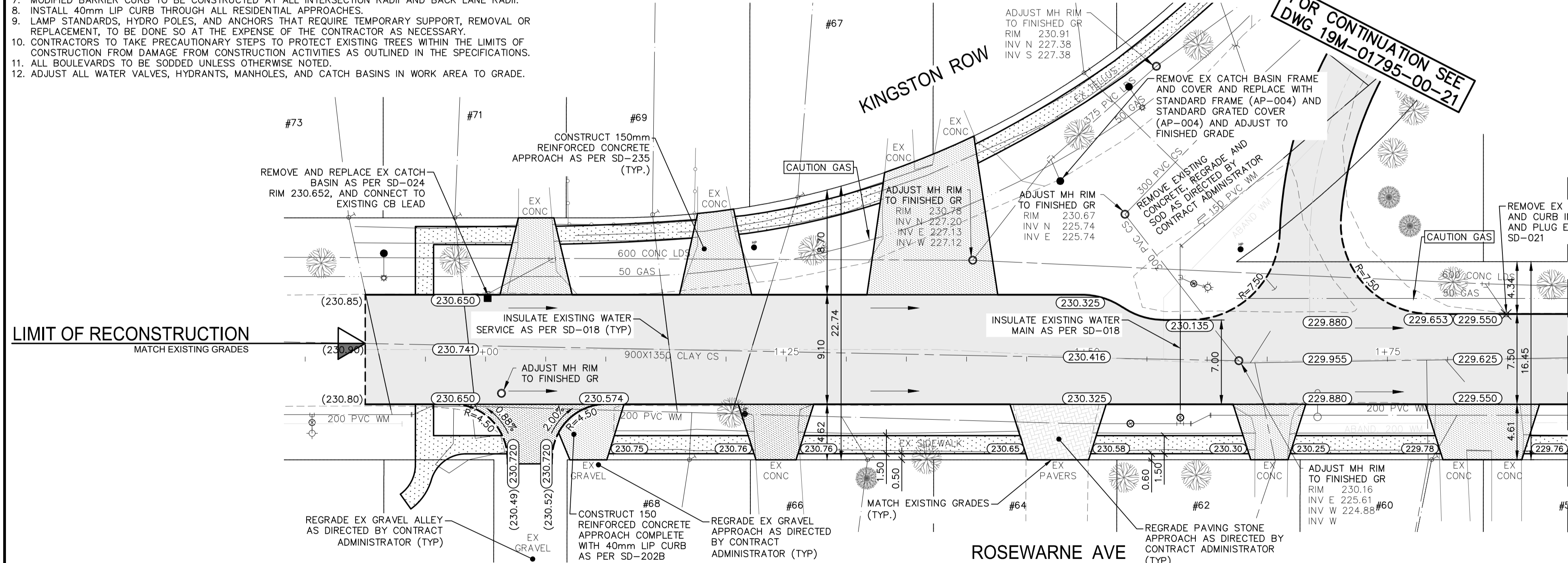


Apr. 01, 2020 - 11:04am P:\2019\19M-01795-00 - 2020 Local Street and Asphalt Alley 20-R-05 and 20-L-01-05 2020 Local Streets\10 Drawings\03 Working Drawings\19M-01795-00 Rosewarne Ave Plan&Profile.dwg - tab:108-2020_Drawing_19M-01795-00-16-RC



- NOTES:**
- ALL WORK AND MATERIALS TO BE IN ACCORDANCE WITH THE LATEST REVISION OF THE CITY OF WINNIPEG STANDARD CONSTRUCTION SPECIFICATIONS.
 - CONTRACTOR TO CONFIRM THE LOCATION OF ALL UTILITIES/SERVICES IN THE FIELD PRIOR TO CONSTRUCTION.
 - ALL ROADWAY DIMENSIONS SHOWN ARE TO BACK OF CURB.
 - RENEW CURB AND SIDEWALK AS IDENTIFIED BY CONTRACT ADMINISTRATOR.
 - ALL PRIVATE WALKWAYS TO BE ADJUSTED TO NEW SIDEWALK OR TOP OF CURB ELEVATION, AS REQUIRED.
 - ADJUST MH FRAMES, CB RIMS, AND VALVES TO NEW GRADES, AS REQUIRED.
 - MODIFIED BARRIER CURB TO BE CONSTRUCTED AT ALL INTERSECTION RADII AND BACK LANE RADII.
 - INSTALL 40mm LIP CURB THROUGH ALL RESIDENTIAL APPROACHES.
 - LAMP STANDARDS, HYDRO POLES, AND ANCHORS THAT REQUIRE TEMPORARY SUPPORT, REMOVAL OR REPLACEMENT, TO BE DONE SO AT THE EXPENSE OF THE CONTRACTOR AS NECESSARY.
 - CONTRACTORS TO TAKE PRECAUTIONARY STEPS TO PROTECT EXISTING TREES WITHIN THE LIMITS OF CONSTRUCTION FROM DAMAGE FROM CONSTRUCTION ACTIVITIES AS OUTLINED IN THE SPECIFICATIONS.
 - ALL BOULEVARDS TO BE SODDED UNLESS OTHERWISE NOTED.
 - ADJUST ALL WATER VALVES, HYDRANTS, MANHOLES, AND CATCH BASINS IN WORK AREA TO GRADE.



EXISTING	LEGEND-PLAN	PROPOSED	EXISTING	LEGEND-PLAN	PROPOSED	EXISTING	LEGEND-PROFILE	PROPOSED
---	WATER MAIN	---	---	HYDRO POLE & LIGHT STANDARD	---	---	---	---
---	LAND DRAINAGE SEWER	---	---	LIGHT STANDARD OR TRAFFIC SIGNAL	---	---	---	---
---	WASTE WATER SEWER	---	---	HYDRO POLE	---	---	---	---
---	HYDRO	---	---	CURB RAMP	---	---	---	---
---	BELL/MTS	---	---	DETECTABLE WARNING SURFACE TILE	---	---	---	---
---	GAS	---	---	EDGE OF SIDEWALK	---	---	---	---
---	SIGNALS	---	---	FENCE	---	---	---	---
---	MANHOLE	---	---	PROPERTY LINE	---	---	---	---
---	CATCH BASIN	---	---	EDGE OF GRAVEL	---	---	---	---
---	CURB INLET	---	---	EDGE OF PAVING STONE	---	---	---	---
---	UTILITIES ADJUSTED	---	---	EDGE OF ASPHALT	---	---	---	---
---	PLUG	---	---	EDGE OF CONCRETE	---	---	---	---
---	HYDRANT	---	---	MODIFIED BARRIER CURB	---	---	---	---
---	VALVE	---	---	BARRIER CURB	---	---	---	---
---	CURB STOP	---	---	BARRIER CURB AND GUTTER	---	---	---	---
(231.00)	PAVEMENT GRADE	(231.000)	---	CONC SIDEWALK	---	---	---	---
---	ANCHOR	---	---	CONCRETE SLAB	---	---	---	---
#111	CIVIC ADDRESS	---	---	ASPHALT	---	---	---	---
---	IRON BAR	---	---	MILLED SURFACE	---	---	---	---
---	EXISTING	---	---	---	---	---	---	---

LOCATIONS APPROVED UNDERGROUND STRUCTURES

SIGNED BY: _____ DATE: _____

SUP/UG STRUCTURES

LOCATION OF UNDERGROUND STRUCTURES AS SHOWN ARE BASED ON THE BEST INFORMATION AVAILABLE BUT NO GUARANTEE IS GIVEN THAT ALL EXISTING UTILITIES ARE SHOWN OR THAT THE GIVEN LOCATIONS ARE EXACT CONFIRMATION OF EXISTENCE AND EXACT LOCATION OF ALL SERVICES MUST BE OBTAINED FROM THE INDIVIDUAL UTILITIES BEFORE PROCEEDING

NO.	REVISIONS	DATE	BY
H	ISSUED FOR TENDER	2020/01/19	RH
G	ISSUED FOR DETAILED DESIGN	2020/01/13	RH
F	ISSUED FOR PRELIMINARY DESIGN REVIEW	2020/01/04	RH
E			
D			
C			
B			
A			
NO.	REVISIONS	DATE	BY

G.B.M. 231.105
ELEV. TOP MTL OF FRESHWATER AT INTERSECTION OF ROSEWARNE AVE AND KINGSTON ROW

DESIGNED BY: EL/RH
CHECKED BY: RH

DRAWN BY: RB/EL
APPROVED BY: VM

HOR. SCALE: 1:250
VERTICAL: 1:10

RELEASED FOR CONSTRUCTION: _____

NO. _____ DATE _____

WSP Canada Group Limited
Suite 111 - 93 Lombard Ave
Winnipeg, MB R3B 3B1
t. 204.943.3178
f. 204.943.4948
www.wsp.com

ENGINEERS SEAL

CONSULTANT ACAD DWG. NO. 19M-01795-00-16

THE CITY OF WINNIPEG
PUBLIC WORKS DEPARTMENT
ENGINEERING SERVICES DIVISION

2020 LOCAL STREET PACKAGE
ROSEWARNE AVENUE

ASPHALT RECONSTRUCTION
STA. 0+90 TO STA. 1+90

CITY DRAWING NUMBER: _____
SHEET 16 OF 21

TENDER NO. 108-2020

FOR TENDER PURPOSES ONLY
NOT FOR CONSTRUCTION

**ENGINEERS
GEOSCIENTISTS
MANITOBA**

Certificate of Authorization
WSP Canada Group Limited
No. 6657