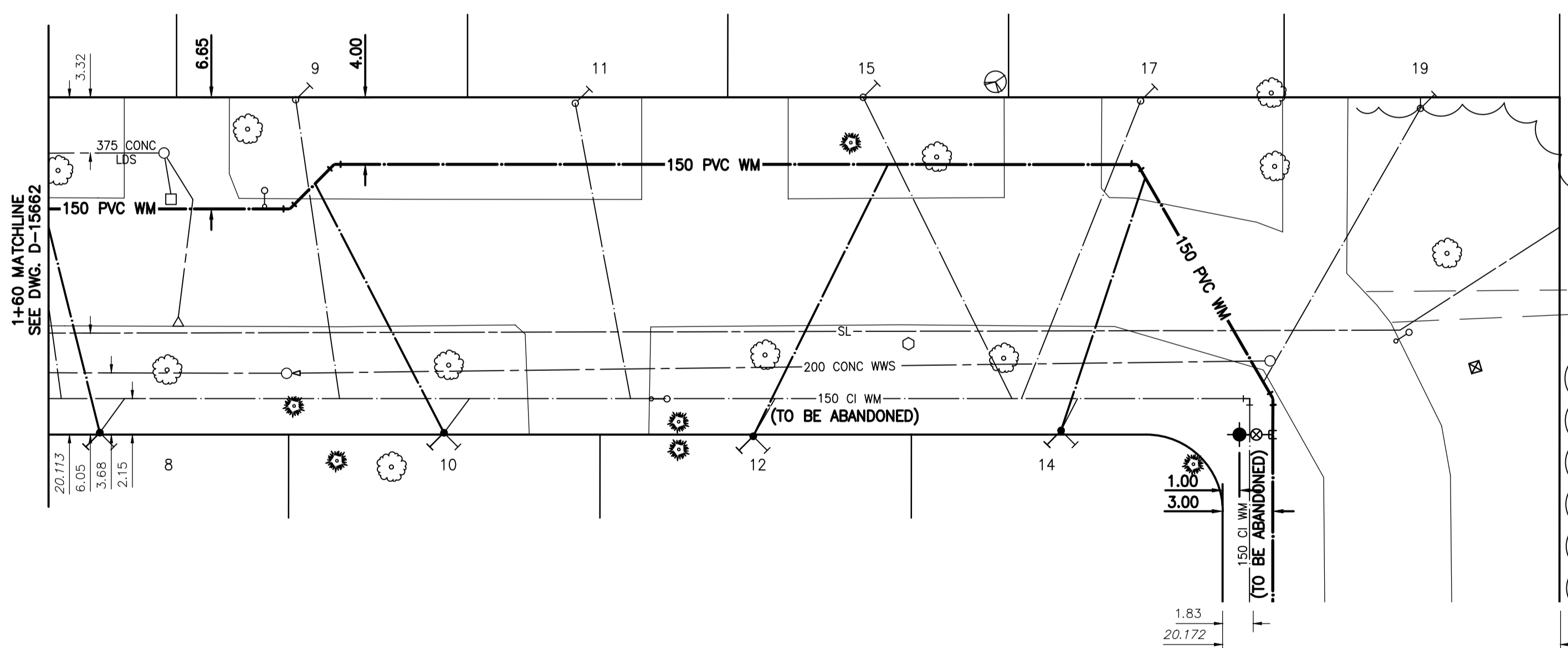
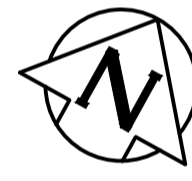


NOTE: CHAINAGES SHOWN ARE ALONG CENTRE LINE OF ROW

NEPTUNE BAY N LEG



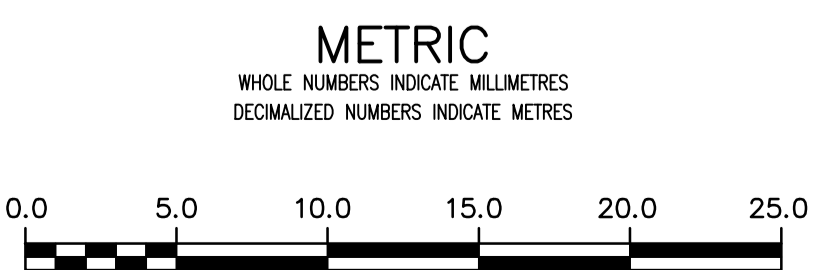
SEE DWG. D-15666 FOR CONTINUATION

WATER SERVICE INFORMATION

ADDRESS	PIPE SIZE & MATERIAL (STREET)	PIPE SIZE & MATERIAL (PROP.)	SHORT & LONG MEASUREMENT	CORP. LOCATION	REMARKS
* 8 NEPTUNE BAY	-	-	7.30 EWLL	288.00 E HYD	RENEW SERVICE
RESIDENTIAL	-	-	63.10 EEL PLANET ST		
9 NEPTUNE BAY	-	-	7.10 EWLL	331.00 E HYD	RECONNECT SERVICE
RESIDENTIAL	-	-	74.70 EEL PLANET ST		
* 10 NEPTUNE BAY	-	-	9.30 EWLL	355.50 E HYD	RENEW SERVICE
RESIDENTIAL	-	-	83.60 EEL PLANET ST		
11 NEPTUNE BAY	-	-	6.40 EWLL	388.00 E HYD	RECONNECT SERVICE
RESIDENTIAL	-	-	91.40 EEL PLANET ST		
* 12 NEPTUNE BAY	-	-	9.10 EWLL	415.50 E HYD	RENEW SERVICE
RESIDENTIAL	-	-	102.10 EEL PLANET ST		
* 14 NEPTUNE BAY	-	-	8.90 EWLL	474.80 E HYD	RENEW SERVICE
RESIDENTIAL	-	-	120.40 EEL PLANET ST		
15 NEPTUNE BAY	-	-	26.50 E W P/L	463.00 E HYD	RECONNECT SERVICE
RESIDENTIAL	-	-	-		
17 NEPTUNE BAY	-	-	7.90 EWLL	-	RECONNECT SERVICE
RESIDENTIAL	-	-	125.20 EEL PLANET ST		
19 NEPTUNE BAY	-	-	8.101 EWLL	509.30 E HYD	RECONNECT SERVICE
RESIDENTIAL	-	-	141.70 EEL PLANET ST		

* SERVICES TO BE RENEWED TO R

NOTE: VALVES TO BE INSTALLED CLOCKWISE TO CLOSE



LOCATION APPROVED UNDERGROUND STRUCTURES		B.M. 84R551 S.W. Cor. Parker Ave. & Planet St., Brass ELEV. 232.293	
SUPV. U/G STRUCTURES COMMITTEE	DATE		
NOTE: LOCATION OF UNDERGROUND STRUCTURES AS SHOWN ARE BASED ON THE BEST INFORMATION AVAILABLE BUT NO GUARANTEE IS GIVEN THAT ALL EXISTING UTILITIES ARE SHOWN OR THAT THE GIVEN LOCATIONS ARE EXACT. CONFIRMATION OF EXISTENCE AND EXACT LOCATION OF ALL SERVICES MUST BE OBTAINED FROM THE INDIVIDUAL UTILITIES BEFORE PROCEEDING WITH CONSTRUCTION.			
NO.	REVISIONS	DATE	BY
02	ISSUED FOR TENDER	2020.04.01	RS
01	ISSUED FOR 60% REVIEW	2020.03.09	RS



DESIGNED BY	RS	CHECKED BY	RS
DRAWN BY	SC	APPROVED BY	RS
SCALE: HORIZONTAL 1:250 VERTICAL 1:50		RELEASED FOR CONSTRUCTION	
DATE	2019.01.15	DATE	

ENGINEER'S SEAL
ORIGINAL SEALED BY R.M. SHERLOCK P. ENG. 2020/04/01
CONSULTANT DRAWING NUMBER C-204



2020 WATERMAIN RENEWALS CONTRACT 4
NEPTUNE BAY N LEG
STA. 1+60 TO NEPTUNE BAY E LEG
SHEET 06 OF 22
CITY DRAWING NUMBER D-15663