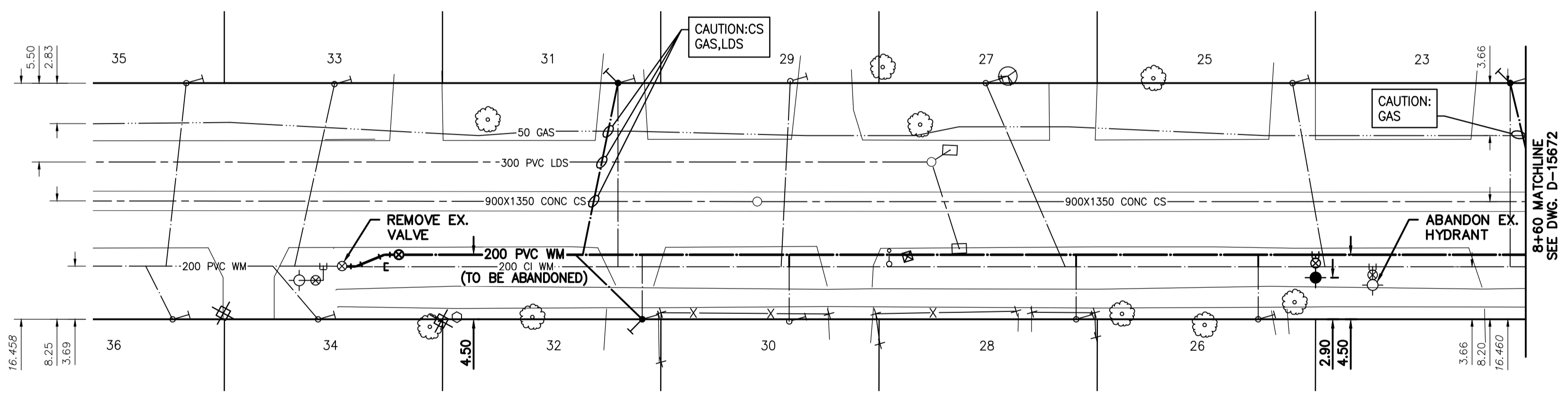
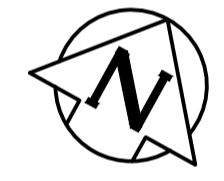


NOTE: CHAINAGES SHOWN ARE ALONG CENTRE LINE OF ROW

ROSEWARNE AVENUE

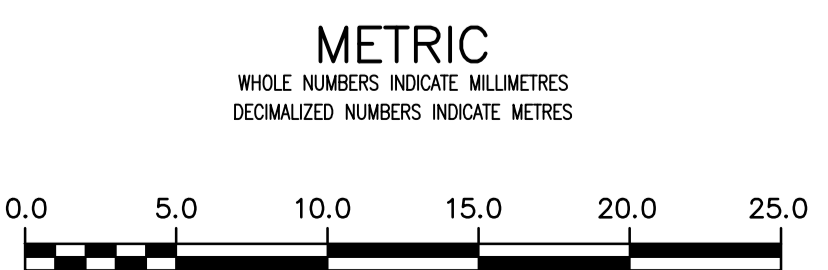


WATER SERVICE INFORMATION

ADDRESS	PIPE SIZE & MATERIAL (STREET)	PIPE SIZE & MATERIAL (PROP.)	SHORT & LONG MEASUREMENT	CORP. LOCATION	REMARKS
* 23 ROSEWARNE AVE	-	12 EEHL	-	-	RENEW SERVICE
RESIDENTIAL	-	LEAD	-	-	-
25 ROSEWARNE AVE	20	12 0 E/EHL	-	2.44 E OF S/C	RECONNECT SERVICE
RESIDENTIAL	CU	LEAD	10.00 W/EPL #25	-	-
26 ROSEWARNE AVE	-	12 2.00 W/E BLDG	-	-	RECONNECT SERVICE
RESIDENTIAL	-	LEAD	4.00 W/E LL	-	-
27 ROSEWARNE AVE	20	12 3.66 L OF R	-	0.91 R OF R	RECONNECT SERVICE
RESIDENTIAL	CU	CU	-	-	-
28 ROSEWARNE AVE	-	20 1.00 E E	-	-	RECONNECT SERVICE
RESIDENTIAL	-	CU	-	-	-
29 ROSEWARNE AVE	20	20 16.00 W/EHL	-	OPP S/C	RECONNECT SERVICE
RESIDENTIAL	CU	LEAD	-	-	-
30 ROSEWARNE AVE	-	12 17.00 W E	-	-	RECONNECT SERVICE
RESIDENTIAL	-	CU	-	-	-
* 31 ROSEWARNE AVE	-	12 EHL	-	-	RENEW SERVICE
RESIDENTIAL	-	LEAD	-	-	-
* 32 ROSEWARNE AVE	-	12 E H L	-	-	RENEW SERVICE
RESIDENTIAL	-	CU	-	-	-
33 ROSEWARNE AVE	20	12 12.00 E W	-	0.98 EAST OF HYDT	RECONNECT SERVICE
RESIDENTIAL	CU	LEAD	0.18 E OF 3RD HYDT E OF KINGSTON ROW	-	-
34 ROSEWARNE AVE	20	20 5.00 E W	-	0.61 E OF 3RD HYDT E OF KINGSTON ROW	RECONNECT SERVICE
RESIDENTIAL	CU	CU	-	-	-
35 ROSEWARNE AVE	20	12 4.00 WEHL	-	7.59 WEST OF HYDT	RECONNECT SERVICE
RESIDENTIAL	CU	LEAD	7.89 W OF 3RD HYDT E OF KINGSTON ROW	-	-
36 ROSEWARNE AVE	20	12 6.50 W E	-	8.29 WEST OF HYDT	RECONNECT SERVICE
RESIDENTIAL	CU	LEAD	8.20 W/3RD HYDT E OF KINGSTON ROW	-	-

\* SERVICES TO BE RENEWED TO R

NOTE: VALVES TO BE INSTALLED CLOCKWISE TO CLOSE



LOCATION APPROVED UNDERGROUND STRUCTURES

SUPV. U/G STRUCTURES COMMITTEE DATE

NOTE:  
LOCATION OF UNDERGROUND STRUCTURES AS SHOWN ARE BASED ON THE BEST INFORMATION AVAILABLE BUT NO GUARANTEE IS GIVEN THAT ALL EXISTING UTILITIES ARE SHOWN OR THAT THE GIVEN LOCATIONS ARE EXACT. CONFIRMATION OF EXISTENCE AND EXACT LOCATION OF ALL SERVICES MUST BE OBTAINED FROM THE INDIVIDUAL UTILITIES BEFORE PROCEEDING WITH CONSTRUCTION.

B.M. 82R543 ELEV. 230.874	S.W. Cor. Kingston Row & Killarney St., Tblt. on top of 0.05 m dia. x 2.4 m iron pipe, 1.4 m N. of S.L. Kingston Row & 11.6 m W. of E.L. Killarney St.		
02	ISSUED FOR TENDER	2020.04.01	RS
01	ISSUED FOR 60% REVIEW	2020.03.09	RS
NO.	REVISIONS	DATE	BY



DESIGNED BY	RS	CHECKED BY	RS
DRAWN BY	SC	APPROVED BY	RS
SCALE:	HORIZONTAL 1:250	RELEASED FOR CONSTRUCTION	DATE
	VERTICAL 1:50		
DATE	2019.01.15		

ENGINEER'S SEAL

ORIGINAL SEALED BY  
R.M. SHERLOCK  
P. ENG.  
2020/04/01

CONSULTANT DRAWING NUMBER  
C-212

TENDER NUMBER: 119-2020



THE CITY OF WINNIPEG  
WATER AND WASTE DEPARTMENT  
ENGINEERING DIVISION

2020 WATERMAIN RENEWALS  
CONTRACT 4  
ROSEWARNE AVENUE  
STA. 7+60 TO  
STA. 8+60

SHEET 14 OF 22  
CITY DRAWING NUMBER  
D-15671