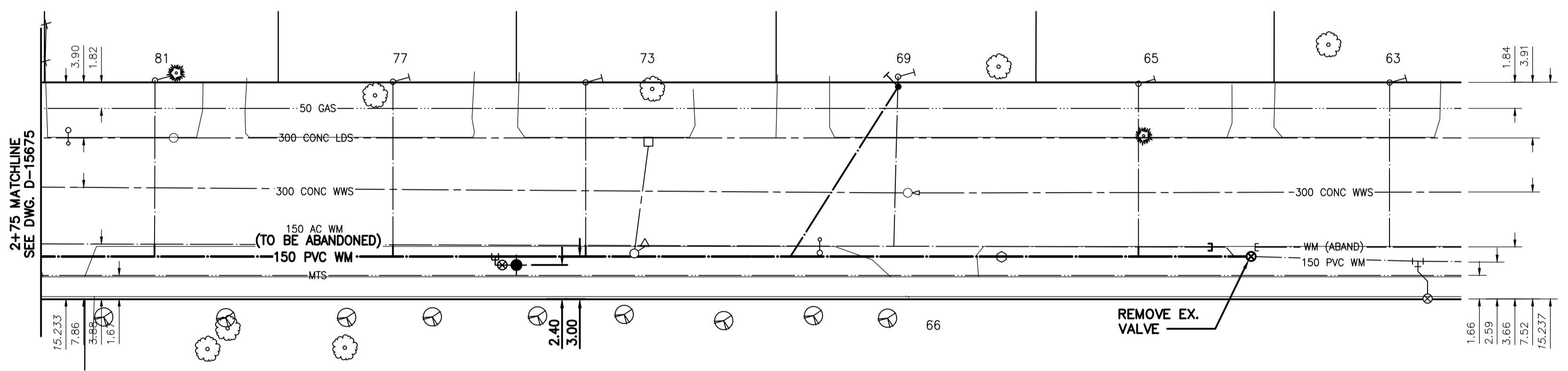
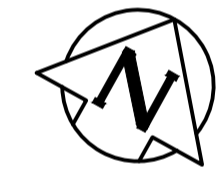


NOTE: CHAINAGES SHOWN ARE ALONG CENTRE LINE OF ROW

MOORE AVENUE

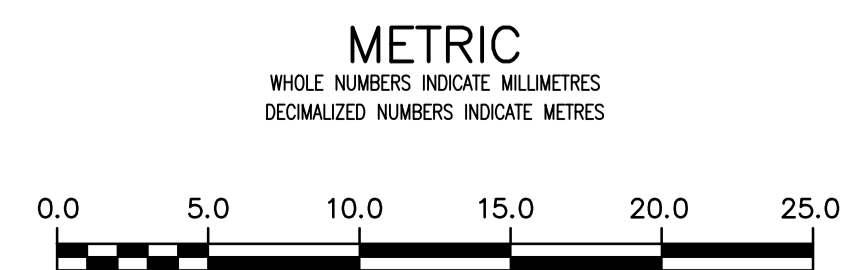


WATER SERVICE INFORMATION

ADDRESS	PIPE SIZE & MATERIAL (STREET)	PIPE SIZE & MATERIAL (PROP.)	SHORT & LONG MEASUREMENT	CORP. LOCATION	REMARKS
63 MOORE AVE	-	20	23.00 WEHL	-	OUTSIDE LIMITS
RESIDENTIAL	-	CU	-	-	-
65 MOORE AVE	-	20	22.00 EWHL	-	RECONNECT SERVICE
RESIDENTIAL	-	CU	-	-	-
66 MOORE AVE	-	38	34.00 SNPL MOORE ON DUNKIRK	-	OUTSIDE LIMITS
RESIDENTIAL	-	CU	-	-	-
* 69 MOORE	20	20	5.10 E/WBL	0.30 W OF CS	RENEW SERVICE
RESIDENTIAL	CU	CU	-	-	-
73 MOORE AVE	-	20	18.00 RL CR OF HSE	-	RECONNECT SERVICE
RESIDENTIAL	-	CU	-	-	-
77 MOORE AVE	-	20	20.00 WEHL	-	RECONNECT SERVICE
RESIDENTIAL	-	CU	-	-	-
81 MOORE AVE	-	20	24.00 EWHL	-	RECONNECT SERVICE
RESIDENTIAL	-	CU	-	-	-

* SERVICES TO BE RENEWED TO R

NOTE: VALVES TO BE INSTALLED CLOCKWISE TO CLOSE



LOCATION APPROVED UNDERGROUND STRUCTURES		B.M. 84R723 ELEV. 231.197		N.E. Cor. Moore Ave. & Pulberry St., Tblt. on top of 0.05 m dia. x 2.4 m iron pipe, 3.05 m S. of N.L. of Moore Ave. & on E.L. of Pulberry St.	
SUPV. U/G STRUCTURES COMMITTEE	DATE	DESIGNED BY	RS	CHECKED BY	RS
NOTE:	LOCATION OF UNDERGROUND STRUCTURES AS SHOWN ARE BASED ON THE BEST INFORMATION AVAILABLE BUT NO GUARANTEE IS GIVEN THAT ALL EXISTING UTILITIES ARE SHOWN OR THAT THE GIVEN LOCATIONS ARE EXACT. CONFIRMATION OF EXISTENCE AND EXACT LOCATION OF ALL SERVICES MUST BE OBTAINED FROM THE INDIVIDUAL UTILITIES BEFORE PROCEEDING WITH CONSTRUCTION.	DRAWN BY	SC	APPROVED BY	RS
		SCALE:	HORIZONTAL 1:250	RELEASED FOR CONSTRUCTION	DATE
			VERTICAL 1:50		
		DATE	2019.01.15		
		NO.	REVISIONS	DATE	BY
		02	ISSUED FOR TENDER	2020.04.01	RS
		01	ISSUED FOR 60% REVIEW	2020.03.09	RS



DESIGNED BY	RS	CHECKED BY	RS
DRAWN BY	SC	APPROVED BY	RS
SCALE:	HORIZONTAL 1:250	RELEASED FOR CONSTRUCTION	DATE
	VERTICAL 1:50		
DATE	2019.01.15		

ENGINEER'S SEAL
ORIGINAL SEALED BY R.M. SHERLOCK P. ENG. 2020/04/01
CONSULTANT DRAWING NUMBER C-217

THE CITY OF WINNIPEG
WATER AND WASTE DEPARTMENT
ENGINEERING DIVISION

2020 WATERMAIN RENEWALS
CONTRACT 4
MOORE AVENUE
STA. 3+25 TO DUNKIRK DR

SHEET 19 OF 22
CITY DRAWING NUMBER D-15676