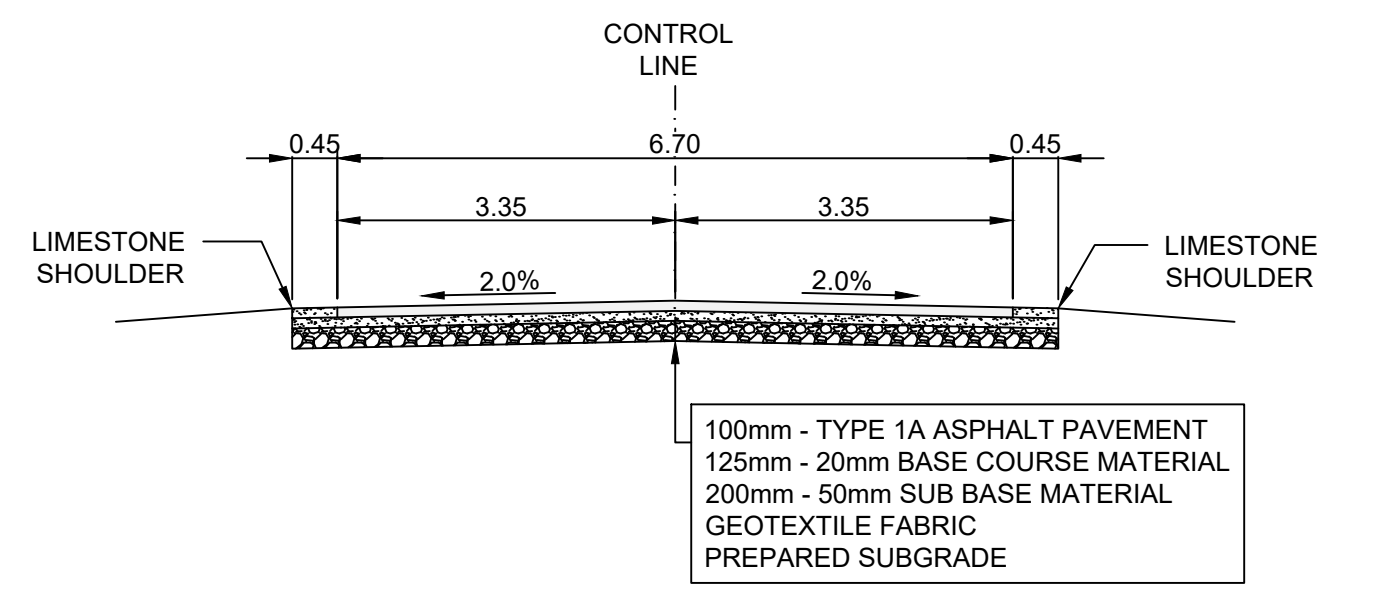
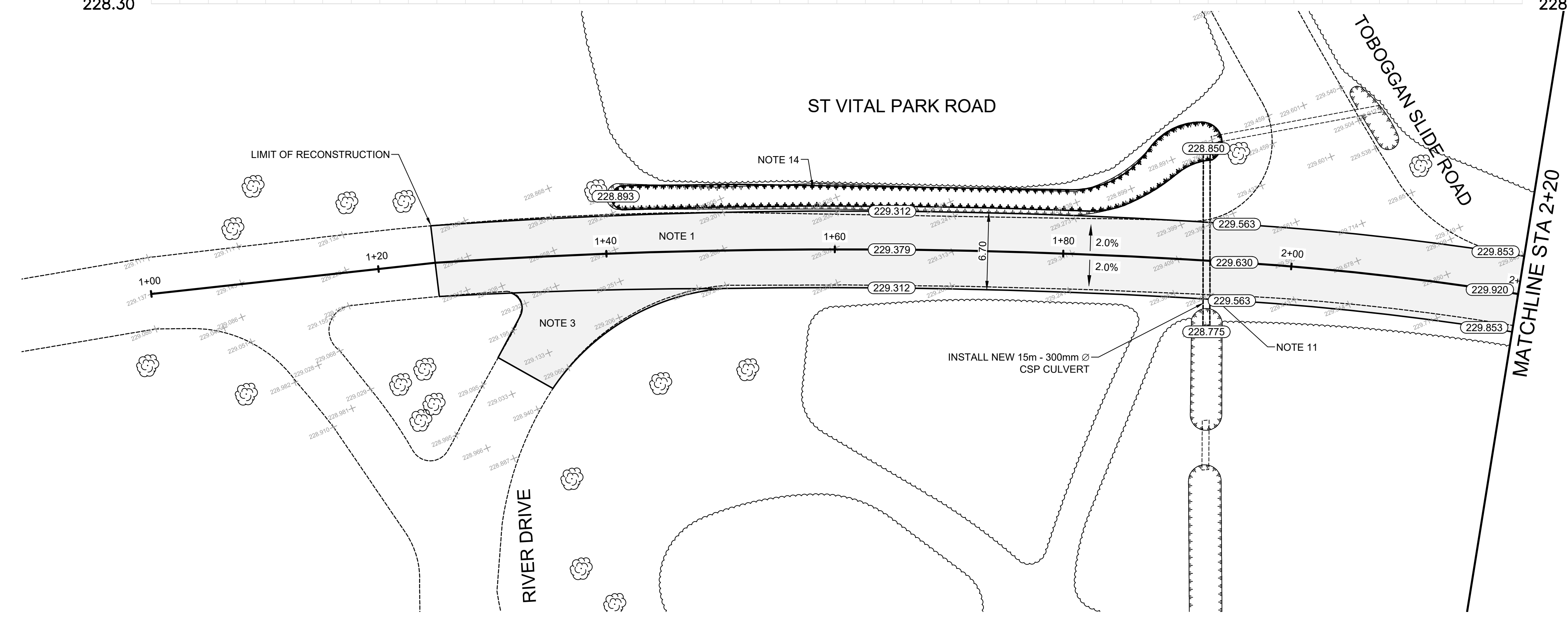


ST VITAL PARK ROAD - ASPHALT RECONSTRUCTION CROSS SECTION (STA: 1+40 - 1+90)
N.T.S.



ST VITAL PARK ROAD - ASPHALT RECONSTRUCTION CROSS SECTION (STA: 1+90 - 4+62.50)
N.T.S.



- CONSTRUCTION NOTES**
- REMOVE EXISTING PAVEMENT AND CONSTRUCT NEW 100mm ASPHALT PAVEMENT AS PER DETAILED CROSS SECTION
 - MILL EXISTING ASPHALT AND OVERLAY WITH 80mm ASPHALT PAVEMENT AS PER DETAILED CROSS SECTION
 - REMOVE AND REPLACE EXISTING ASPHALT
 - CONSTRUCT NEW 100mm CONCRETE SIDEWALK
 - REMOVE EXISTING SIDEWALK
 - WIDEN EXISTING APPROACH TO 7.5m & CONSTRUCT NEW 200mm MONOLITHIC CONCRETE CURB
 - REMOVE PARK GATE
 - REMOVE POST BOLLARD
 - INSTALL NEW CULVERT
 - INSTALL CURB RAMP (10mm HT. MONOLITHIC) & DETECTABLE WARNING TILES
 - REMOVE & REPLACE CULVERT
 - REMOVE EXISTING ASPHALT DITCH
 - REMOVE EXISTING ASPHALT DITCH & CONSTRUCT NEW PROPOSED DITCH
 - RE-GRADE EXISTING DITCH

- GENERAL NOTES**
- PAVEMENT DIMENSIONS ARE TO BACK OF CURB / EDGE OF PAVEMENT
 - ALL CURB RADII UNDER 15.0m SHALL BE MODIFIED
 - CURB REPLACEMENT AS DIRECTED BY CONTRACT ADMINISTRATOR

PRELIMINARY
NOT TO BE USED FOR
CONSTRUCTION

METRIC
WHOLE NUMBERS INDICATE MILLIMETERS
DECIMALIZED NUMBERS INDICATE METERS
BID OPPORTUNITY NO. 129-2020

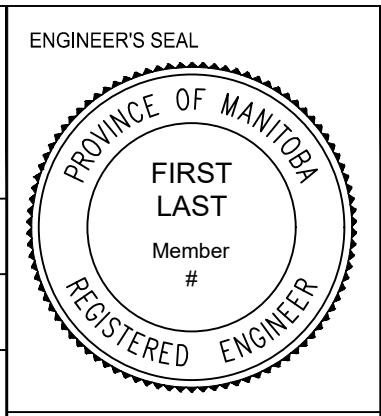
EXISTING	LEGEND - PLAN	PROPOSED	EXISTING	LEGEND - PLAN	PROPOSED	EXISTING	LEGEND - PROFILE	PROPOSED
⊕	HYDRANT	◆	---	LDS/WWS	---	▒	CONCRETE	▒
⊗	VALVE	●	---	WATERMAIN	---	▒	CONCRETE SIDEWALK	▒
⊙	CURB STOP	●	---	GAS	---	▒	ASPHALT	▒
⊚	MANHOLE	●	---	TRAFFIC SIGNALS	---	▒	GRAVEL	▒
⊛	CATCH BASIN	■	---	HYDRO/STREET LIGHT	---	▒	DITCH - TOP OF SLOPE	▒
△	CURB INLET	▲	---	MTS/SHAW	---	▒	BUSHLINE	▒
⊙	HYDRO POLE	▲	---	CURB RENEWAL	---	▒	NORTH GUTTER	▒
⊙	LIGHT STANDARD	●	---	PROPERTY LINE	---	▒	CENTER LINE	▒
⊙	TRAFFIC SIGNAL POLE	●	---	RAMP CURB	---	▒	SOUTH GUTTER	▒
⊙	SURVEY BAR	◆	---	ELEVATIONS	(31.000)	▒	NORTH DITCH	▒
⊙	GEODETIC BENCH MARK	⊕	---	TREE	---	▒	SOUTH DITCH	▒

NO.	REVISIONS	DATE	BY
1	SUBMIT FOR PLAN APPROVAL	03/11/20	C.H.

ENGINEERING DIVISION
TECHNOLOGY SERVICES BRANCH
106 - 1155 PACIFIC AVE

DESIGNED BY: M.S. CHECKED BY: M.S.
DRAWN BY: T.G. APPROVED BY:

HOR. SCALE: 1 : 250
VERTICAL: 1 : 10
DATE: 2020/04/08



THE CITY OF WINNIPEG
PUBLIC WORKS DEPARTMENT

ST VITAL PARK ROAD
FROM RIVER DRIVE TO RIVER DRIVE
ASPHALT RENEWAL AND ASSOCIATED WORKS
FROM STA. 1+00 TO STA. 2+20

CITY DRAWING NUMBER SE-20-102	SHEET 4 OF 21
1	