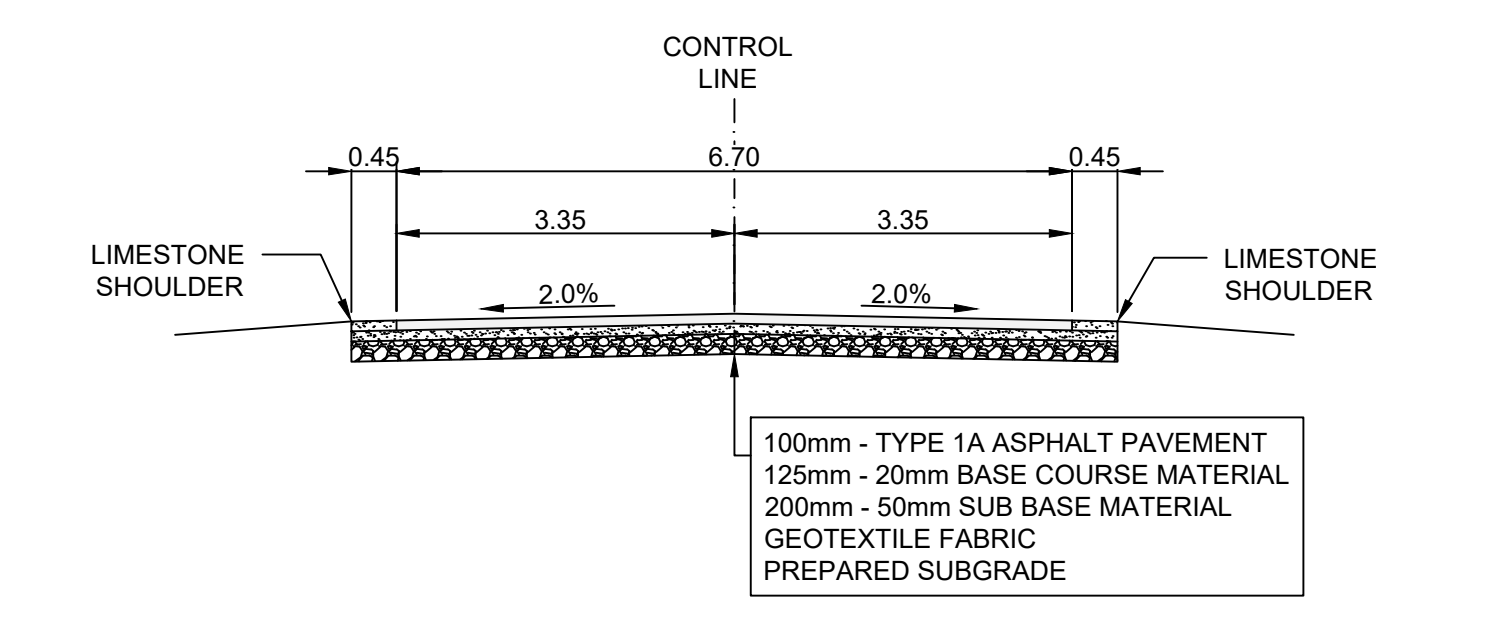
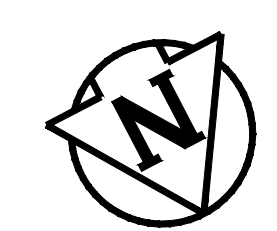
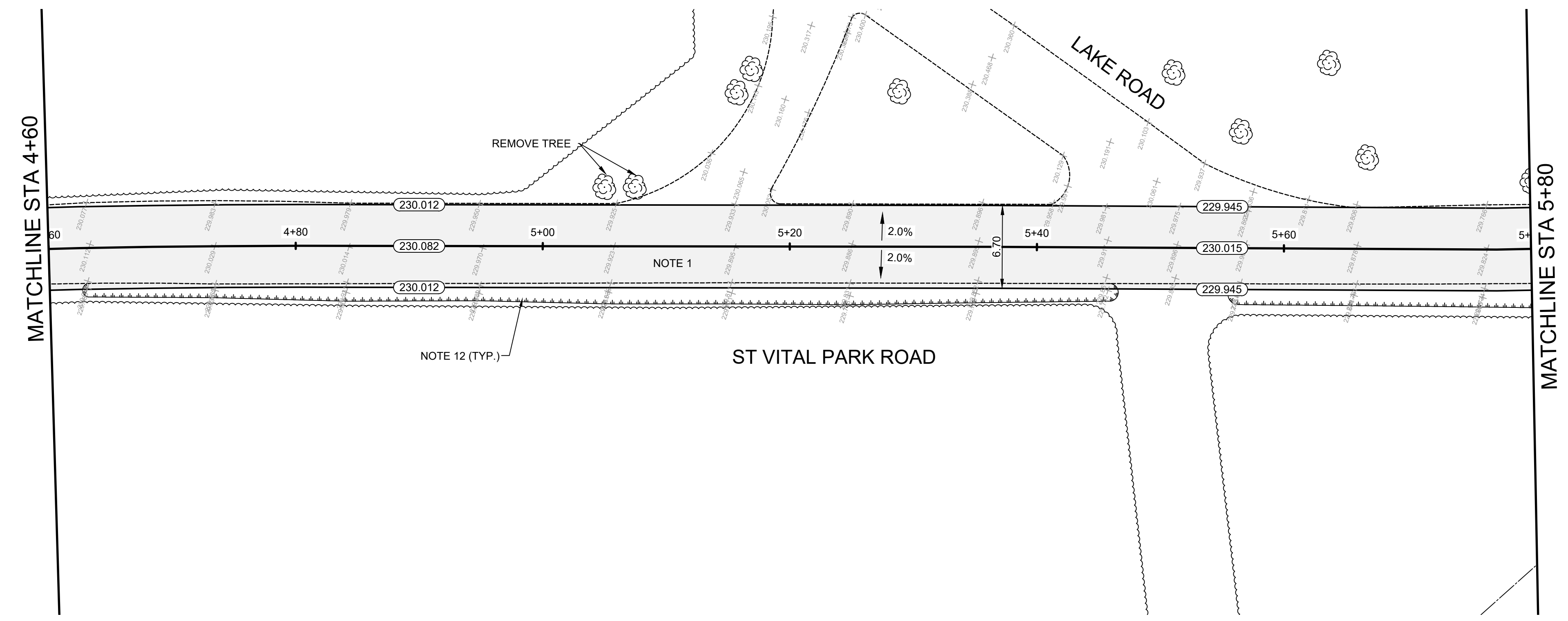


ST VITAL PARK ROAD - ASPHALT RECONSTRUCTION CROSS SECTION (STA: 4+62.50 - 6+30)
N.T.S.



ST VITAL PARK ROAD - ASPHALT RECONSTRUCTION CROSS SECTION (STA: 1+90 - 4+62.50)
N.T.S.



- CONSTRUCTION NOTES**
- REMOVE EXISTING PAVEMENT AND CONSTRUCT NEW 100mm ASPHALT PAVEMENT AS PER DETAILED CROSS SECTION
 - MILL EXISTING ASPHALT AND OVERLAY WITH 80mm ASPHALT PAVEMENT AS PER DETAILED CROSS SECTION
 - REMOVE AND REPLACE EXISTING ASPHALT
 - CONSTRUCT NEW 100mm CONCRETE SIDEWALK
 - REMOVE EXISTING SIDEWALK
 - WIDEN EXISTING APPROACH TO 7.5m & CONSTRUCT NEW 200mm MONOLITHIC CONCRETE CURB
 - REMOVE PARK GATE
 - REMOVE POST BOLLARD
 - INSTALL NEW CULVERT
 - INSTALL CURB RAMP (10mm HT. MONOLITHIC) & DETECTABLE WARNING TILES
 - REMOVE & REPLACE CULVERT
 - REMOVE EXISTING ASPHALT DITCH
 - REMOVE EXISTING ASPHALT DITCH & CONSTRUCT NEW PROPOSED DITCH
 - RE-GRADE EXISTING DITCH

- GENERAL NOTES**
- PAVEMENT DIMENSIONS ARE TO BACK OF CURB / EDGE OF PAVEMENT
 - ALL CURB RADII UNDER 15.0m SHALL BE MODIFIED
 - CURB REPLACEMENT AS DIRECTED BY CONTRACT ADMINISTRATOR

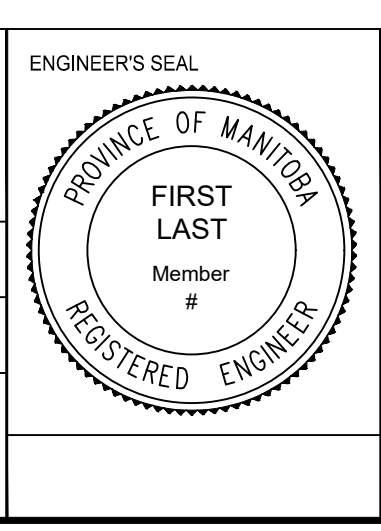
PRELIMINARY
NOT TO BE USED FOR
CONSTRUCTION

METRIC
WHOLE NUMBERS INDICATE MILLIMETERS
DECIMALIZED NUMBERS INDICATE METERS
BID OPPORTUNITY NO. 129-2020

⊕	HYDRANT	◆	---	LDS/WWS	---	---	CONCRETE	---	LOCATION APPROVED	B.M.
⊗	VALVE	●	---	WATERMAIN	---	---	CONCRETE SIDEWALK	---	UNDERGROUND STRUCTURES	ELEV.
⊙	CURB STOP	●	---	GAS	---	---	ASPHALT	---		
○	MANHOLE	●	---	TRAFFIC SIGNALS	---	---	GRAVEL	---		
□	CATCH BASIN	■	---	HYDRO/STREET LIGHT	---	---	DITCH - TOP OF SLOPE	---		
△	CURB INLET	▲	---	MTS/SHAW	---	---	BUSHLINE	---		
○	HYDRO POLE	●	---	CURB RENEWAL	---	---	NORTH GUTTER	---		
○	LIGHT STANDARD	●	---	PROPERTY LINE	---	---	CENTER LINE	---		
○	TRAFFIC SIGNAL POLE	●	---	RAMP CURB	---	---	SOUTH GUTTER	---		
+	SURVEY BAR	+	---	ELEVATIONS	(31.000)	---	NORTH DITCH	---		
⊕	GEODETIC BENCH MARK	⊕	---	TREE	---	---	SOUTH DITCH	---		
---	EXISTING	---	---	EXISTING	---	---	---	---		
---	LEGEND - PLAN	---	---	LEGEND - PLAN	---	---	---	---		
---		---	---	LEGEND - PROFILE	---	---	---	---		
---		---	---	---	---	---	---	---		

SUPR. U/G STRUCTURES COMMITTEE DATE: _____			
NOTE: LOCATION OF UNDERGROUND STRUCTURES AS SHOWN ARE BASED ON THE BEST INFORMATION AVAILABLE. BUT NO GUARANTEE IS GIVEN THAT ALL EXISTING UTILITIES ARE SHOWN OR THAT THE GIVEN LOCATIONS ARE EXACT. CONFIRMATION OF EXISTENCE AND EXACT LOCATION OF ALL SERVICES MUST BE OBTAINED FROM THE INDIVIDUAL UTILITIES BEFORE PROCEEDING WITH CONSTRUCTION.			
1	SUBMIT FOR PLAN APPROVAL	03/11/20	C.H.
NO.	REVISIONS	DATE	BY

ENGINEERING DIVISION TECHNOLOGY SERVICES BRANCH 106 - 1155 PACIFIC AVE			
DESIGNED BY	M.S.	CHECKED BY	M.S.
DRAWN BY	T.G.	APPROVED BY	
HOR. SCALE: 1 : 250 VERTICAL: 1 : 10		DATE: 2020/04/08	



THE CITY OF WINNIPEG
PUBLIC WORKS DEPARTMENT

ST VITAL PARK ROAD
FROM RIVER DRIVE TO RIVER DRIVE
ASPHALT RENEWAL AND ASSOCIATED WORKS
FROM STA. 4+60 TO STA. 5+80

CITY DRAWING NUMBER SE-20-105	SHEET 7 OF 21
4	