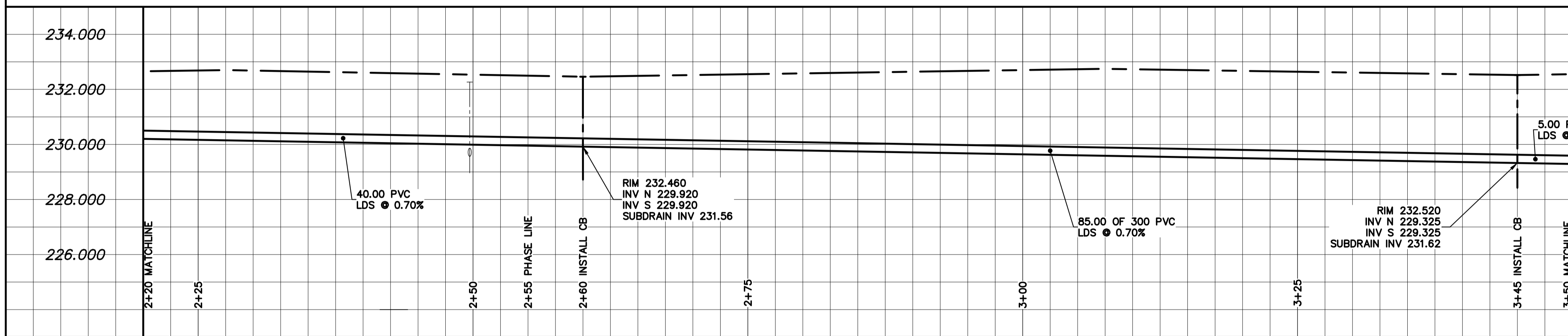
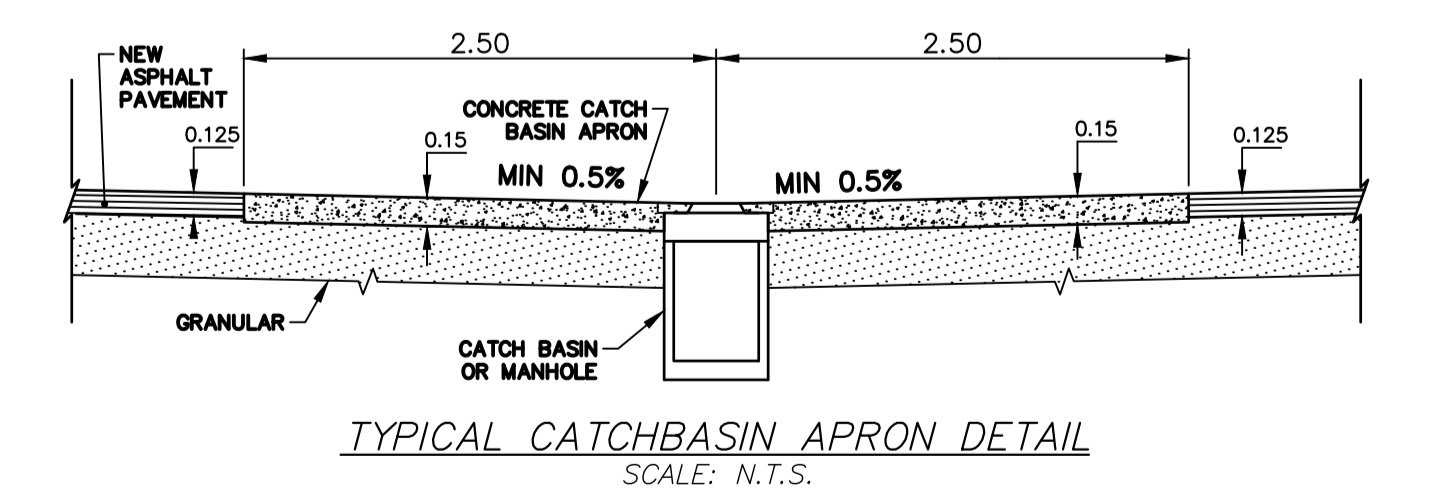
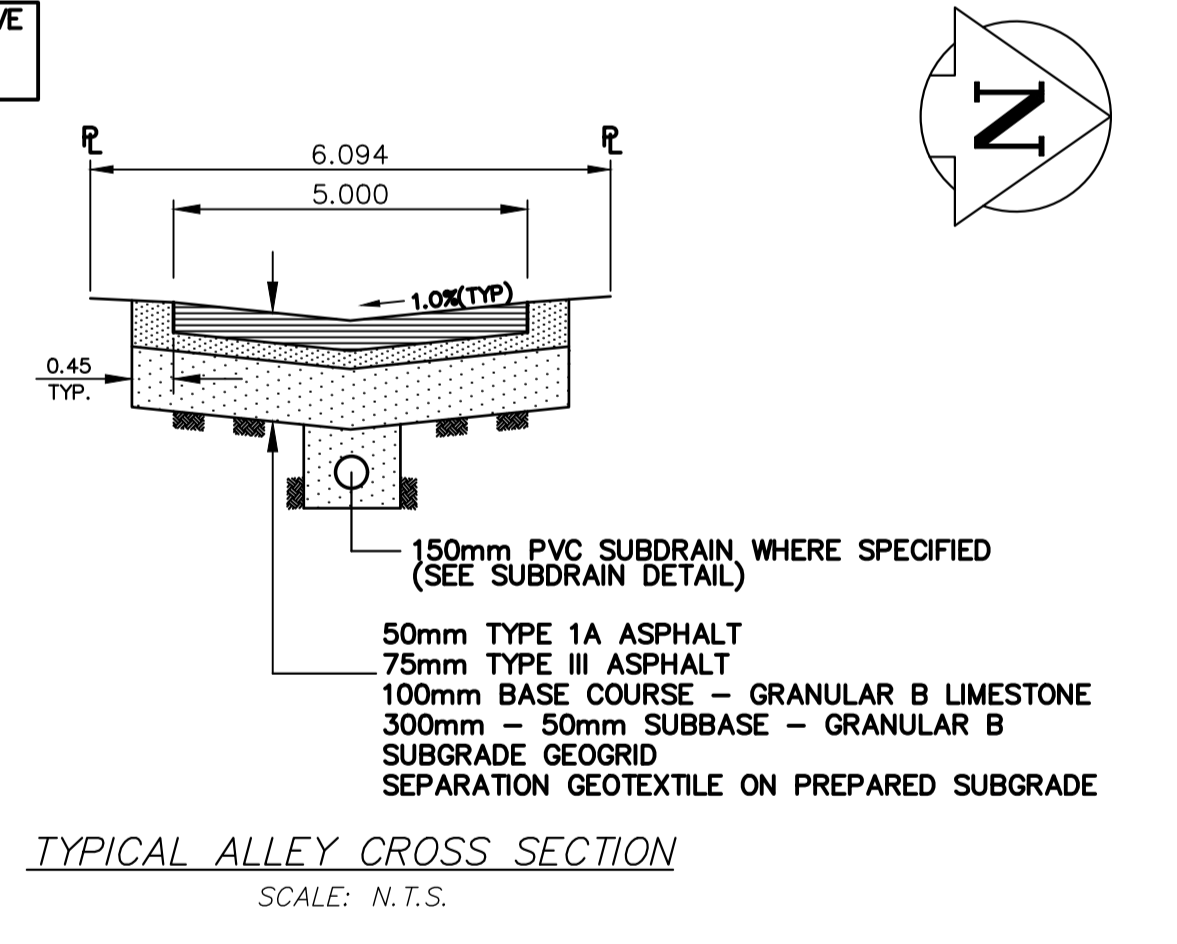
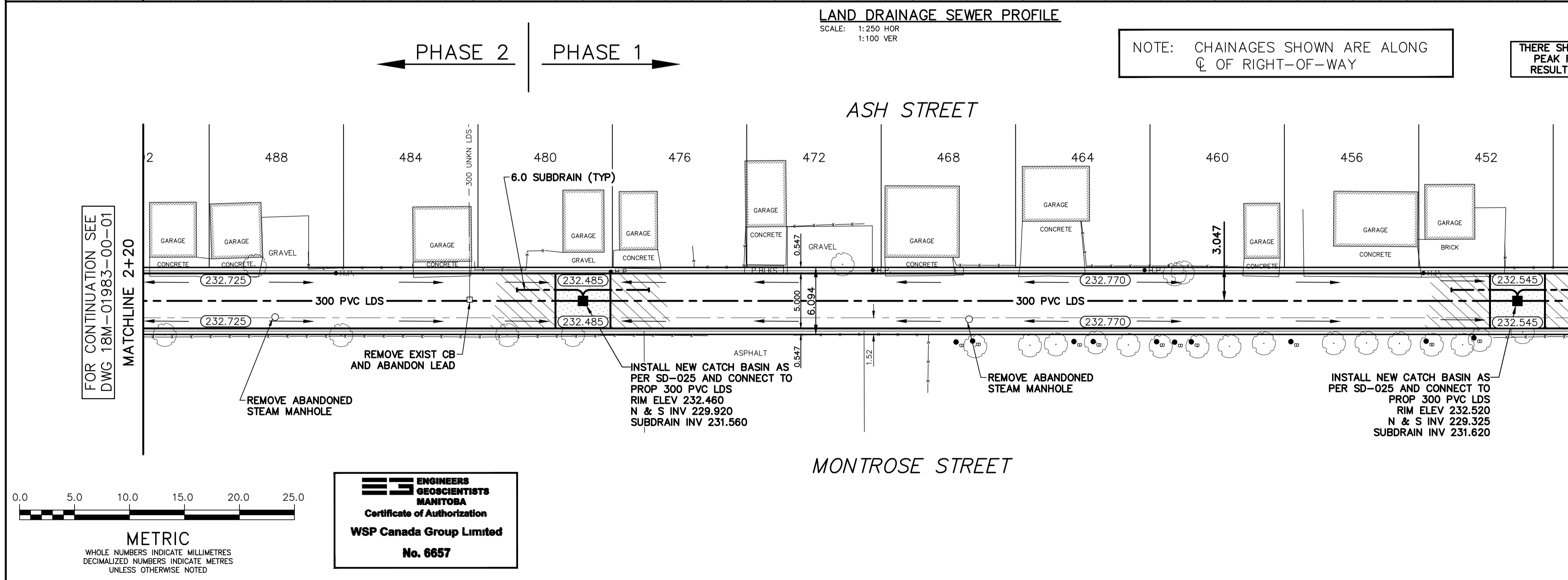
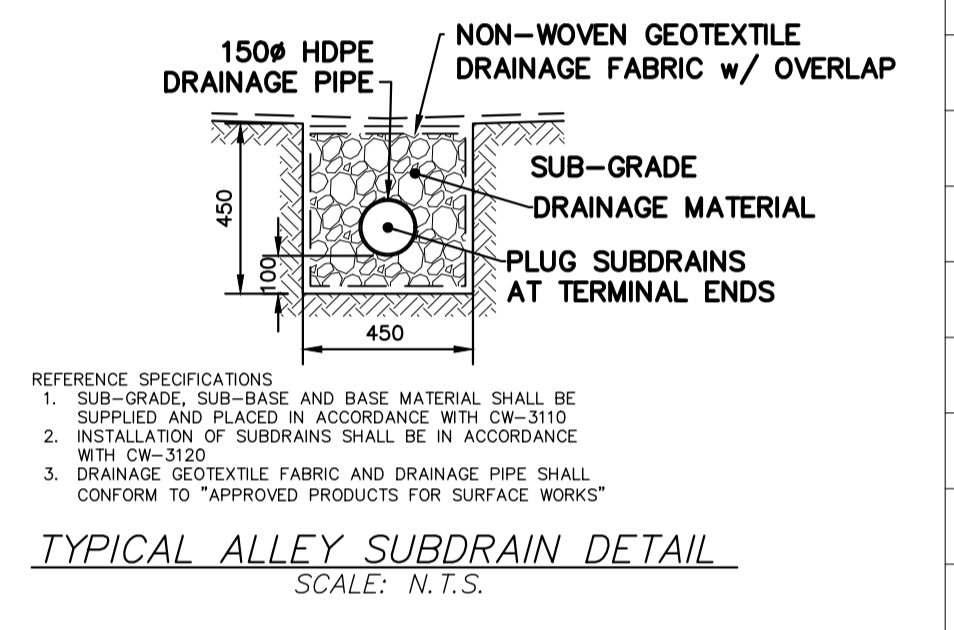


ALLEY PAVEMENT PROFILE
SCALE: 1:250 HOR
1:10 VERT

- NOTES:**
1. ALL WORK AND MATERIALS TO BE IN ACCORDANCE WITH THE LATEST REVISION OF THE CITY OF WINNIPEG STANDARD CONSTRUCTION SPECIFICATION.
 2. CONTRACTOR TO CONFIRM THE LOCATION OF ALL UTILITIES/SERVICES IN THE FIELD PRIOR TO CONSTRUCTION.
 3. CONTRACTOR TO AVOID DAMAGE TO EXISTING TREES WITHIN THE LIMITS OF THE ALLEY RIGHT OF WAY AS OUTLINED IN THE BID OPPORTUNITY.
 4. HYDRO POLES AND ANCHORS REQUIRING TEMPORARY SUPPORT TO BE DONE AT THE EXPENSE OF THE CONTRACTOR AS REQUIRED.
 5. WHERE UNSTABLE SUB-GRADES ARE ENCOUNTERED, ADDITIONAL EXCAVATION/SUB-BASE TO BE DETERMINED BY THE CONTRACT ADMINISTRATOR AND CONSTRUCTED IN ACCORDANCE W/ CW-3110.
 6. PROPOSED ELEVATIONS GIVEN ARE FOR EDGE OF PAVEMENT.
 7. ISOLATE EXISTING HYDRO POLES AS PER SD-228C.
 8. RENEW CURB AND SIDEWALK AS DIRECTED BY THE CONTRACT ADMINISTRATOR.
 9. MODIFIED BARRIER CURB TO BE CONSTRUCTED AT ALL BACK LANE RADI.
 10. ALL EXISTING PRIVATE APPROACHES TO BE RENEWED AS DIRECTED BY THE CONTRACT ADMINISTRATOR.
 11. ADJUSTMENTS TO PROPOSED CROSSFALL, WHERE REQUIRED, ARE TO BE DETERMINED BY THE CONTRACT ADMINISTRATOR TO SUIT EXISTING DRIVEWAYS, APPROACHES, ETC.
 12. ALL BOULEVARD RESTORATION TO BE SODDED UNLESS OTHERWISE NOTED.
 13. INSTALLATION OF LIP CURBS AND THEIR LIMITS THROUGH PRIVATE APPROACHES TO BE DETERMINED BY THE CONTRACT ADMINISTRATOR.
 14. REMOVE, ADJUST, AND SUPPLY PRECAST SIDEWALK BLOCKS AS DIRECTED BY THE CONTRACT ADMINISTRATOR.



LAND DRAINAGE SEWER PROFILE
SCALE: 1:250 HOR
1:100 VERT



METRIC
WHOLE NUMBERS INDICATE MILLIMETRES
DECIMALIZED NUMBERS INDICATE METRES
UNLESS OTHERWISE NOTED

EXISTING	LEGEND - PLAN	PROPOSED	EXISTING	LEGEND - PLAN	PROPOSED
---	WATERMAIN	---	---	M.T.S.	---
---	HYDRANT	---	---	CONCRETE/ASPHALT	---
---	VALVE	---	---	SIDEWALK	---
---	CURB STOP	---	---	CURB RAMP	---
---	LAND DRAINAGE SEWER	---	---	ELEVATIONS	---
---	WASTE WATER SEWER	---	---	PROPERTY LINE	---
---	CB LEAD	---	---	SURVEY BAR	---
---	MANHOLE	---	---	HYDRO POLE	---
---	CATCH BASIN	---	---	STREET LIGHT	---
---	GAS	---	---	JOINTS	---
---	HYDRO	---	---	ASPHALT REPAIR	---

ENGINEERS GEO-SCIENTISTS MANITOBA
Certificate of Authorization
WSP Canada Group Limited
No. 6657

EXISTING	LEGEND - PROFILE	PROPOSED
---	WATERMAIN	---
---	VALVE	---
---	LAND DRAINAGE SEWER	---
---	WASTE WATER SEWER	---
---	CENTERLINE	---
---	SOUTH & EAST GUTTER	---
---	NORTH & WEST GUTTER	---
---	S & E GARAGE PAD	---
---	N & W GARAGE PAD	---

LOCATION APPROVED UNDERGROUND STRUCTURES

SUPV. U/G STRUCTURES	DATE
---	---

NOTE:
LOCATION OF UNDERGROUND STRUCTURES AS SHOWN ARE BASED ON THE BEST INFORMATION AVAILABLE BUT NO GUARANTEE IS GIVEN THAT ALL EXISTING UTILITIES ARE SHOWN OR THAT THE GIVEN LOCATIONS ARE EXACT. CONFIRMATION OF EXISTENCE AND EXACT LOCATION OF ALL SERVICES MUST BE OBTAINED FROM THE INDIVIDUAL UTILITIES BEFORE PROCEEDING WITH CONSTRUCTION.

B.M. - TOP NUT OF HYDRANT AT THE NORTH EAST CORNER OF OAK ST./FLEET AVE. INTERSECTION ELEV. - 233.565

NO	REVISIONS	DATE	BY
---	---	---	---

wsp

111-93 Lombard Avenue
Winnipeg, Manitoba
R3B 3B1 Canada
Phone: 204-943-3178
Fax: 204-943-4948
wsp.com

DESIGNED BY: A.B.	CHECKED BY: A.B./R.H.
DRAWN BY: D.R.	APPROVED BY: S.M.
HOR. SCALE: 1:250	RELEASED FOR CONSTRUCTION
VERT. SCALE: AS SHOWN	---

NOT FOR CONSTRUCTION

CONSULTANT DRAWING NO.
18M-01983-00-02

THE CITY OF WINNIPEG
PUBLIC WORKS DEPARTMENT

2019 ALLEY RENEWALS
ASH STREET / MONTROSE STREET ALLEY
FROM STA 2+20 TO STA 3+50

ASPHALT PAVEMENT

CITY DRAWING NO.
LD-----
SHEET 2 OF 3

BID OPPORTUNITY
162-2020