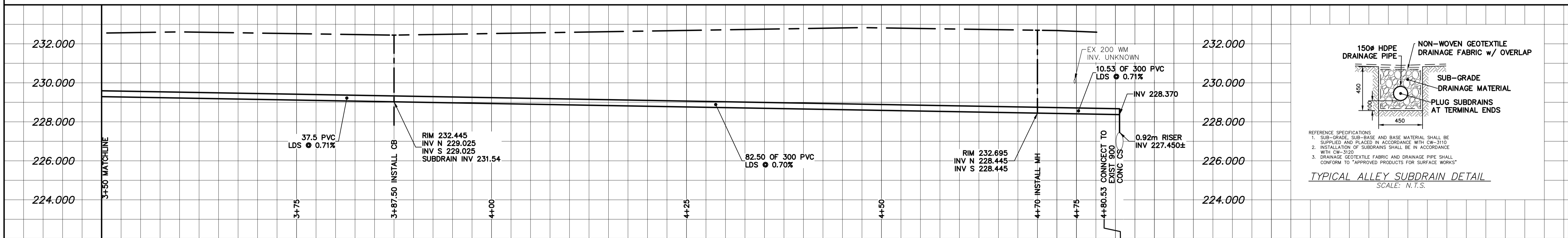
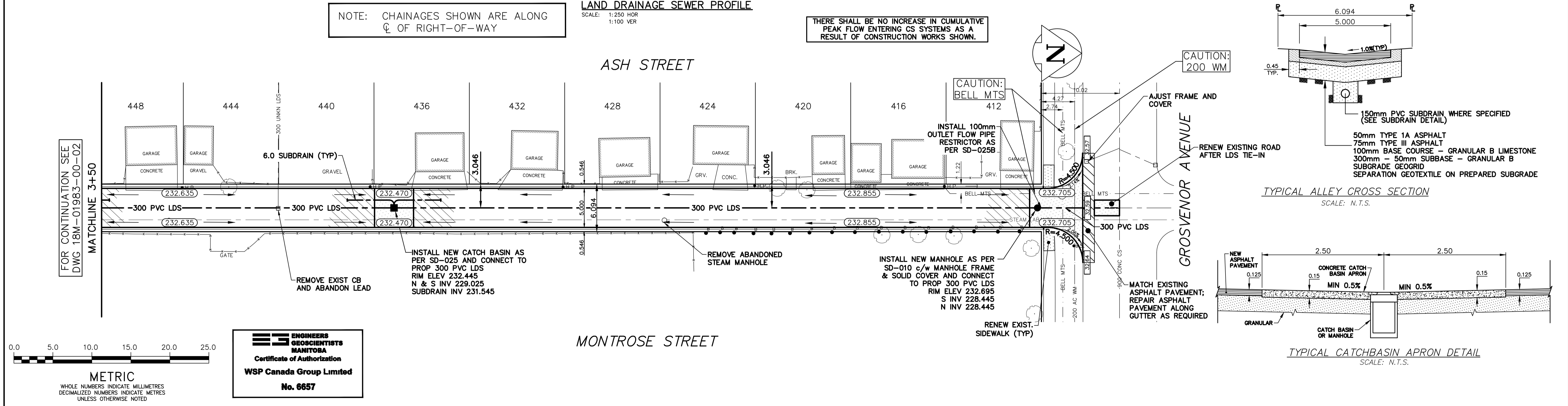
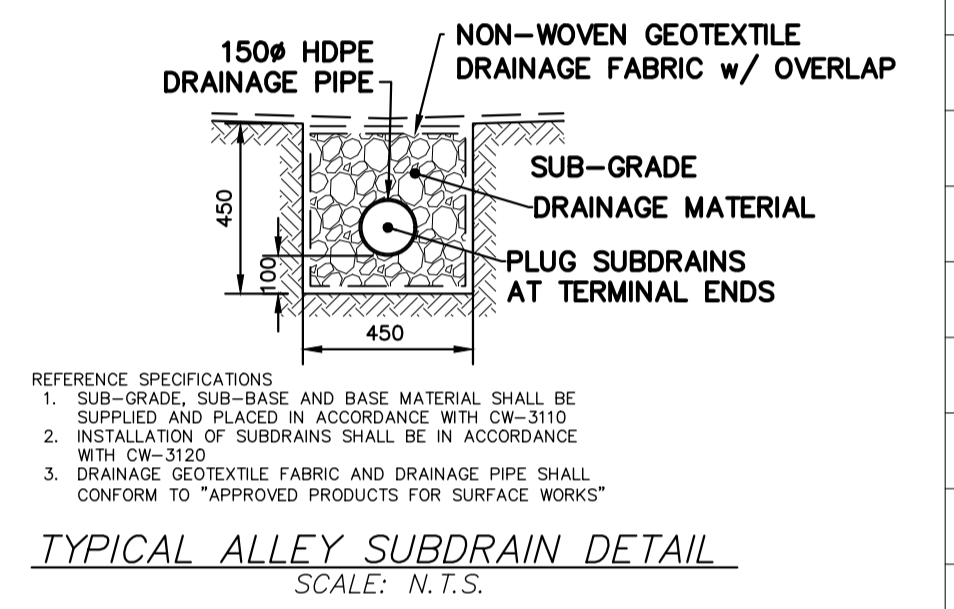


ALLEY PAVEMENT PROFILE
SCALE: 1:250 HOR
1:10 VER

- NOTES:**
1. ALL WORK AND MATERIALS TO BE IN ACCORDANCE WITH THE LATEST REVISION OF THE CITY OF WINNIPEG STANDARD CONSTRUCTION SPECIFICATION.
 2. CONTRACTOR TO CONFIRM THE LOCATION OF ALL UTILITIES/SERVICES IN THE FIELD PRIOR TO CONSTRUCTION.
 3. CONTRACTOR TO AVOID DAMAGE TO EXISTING TREES WITHIN THE LIMITS OF THE ALLEY RIGHT OF WAY AS OUTLINED IN THE BID OPPORTUNITY.
 4. HYDRO POLES AND ANCHORS REQUIRING TEMPORARY SUPPORT TO BE DONE AT THE EXPENSE OF THE CONTRACTOR AS REQUIRED.
 5. WHERE UNSTABLE SUB-GRADES ARE ENCOUNTERED, ADDITIONAL EXCAVATION/SUB-BASE TO BE DETERMINED BY THE CONTRACT ADMINISTRATOR AND CONSTRUCTED IN ACCORDANCE W/ CW-3110.
 6. PROPOSED ELEVATIONS GIVEN ARE FOR EDGE OF PAVEMENT.
 7. ISOLATE EXISTING HYDRO POLES AS PER SD-228C.
 8. RENEW CURB AND SIDEWALK AS DIRECTED BY THE CONTRACT ADMINISTRATOR.
 9. MODIFIED BARRIER CURB TO BE CONSTRUCTED AT ALL BACK LANE RADI.
 10. ALL EXISTING PRIVATE APPROACHES TO BE RENEWED AS DIRECTED BY THE CONTRACT ADMINISTRATOR.
 11. ADJUSTMENTS TO PROPOSED CROSSFALL, WHERE REQUIRED, ARE TO BE DETERMINED BY THE CONTRACT ADMINISTRATOR TO SUIT EXISTING DRIVEWAYS, APPROACHES, ETC.
 12. ALL BOULEVARD RESTORATION TO BE SODDED UNLESS OTHERWISE NOTED.
 13. INSTALLATION OF LIP CURBS AND THEIR LIMITS THROUGH PRIVATE APPROACHES TO BE DETERMINED BY THE CONTRACT ADMINISTRATOR.
 14. REMOVE, ADJUST, AND SUPPLY PRECAST SIDEWALK BLOCKS AS DIRECTED BY THE CONTRACT ADMINISTRATOR.



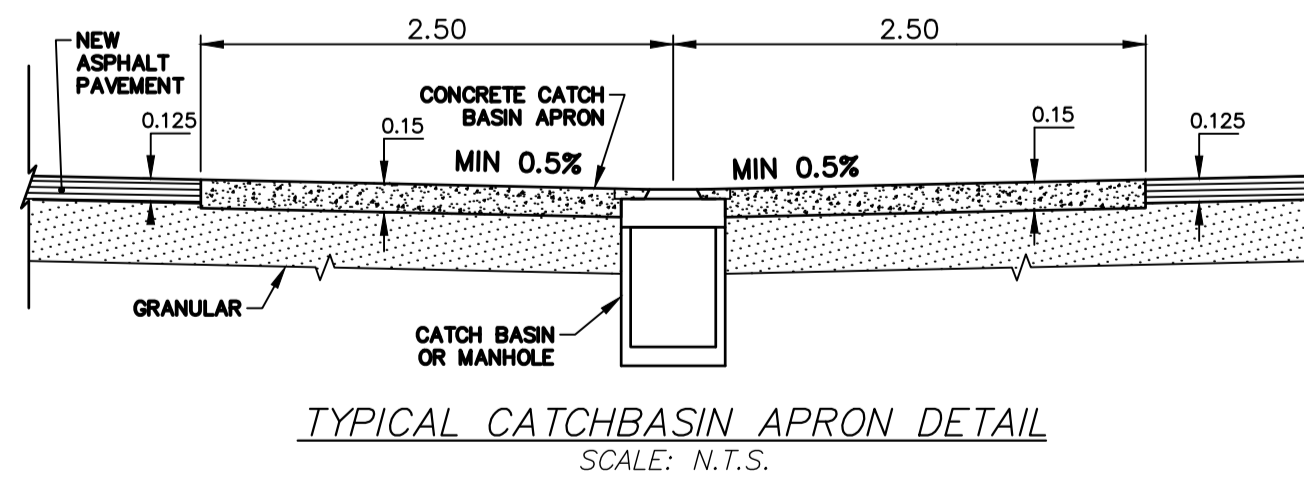
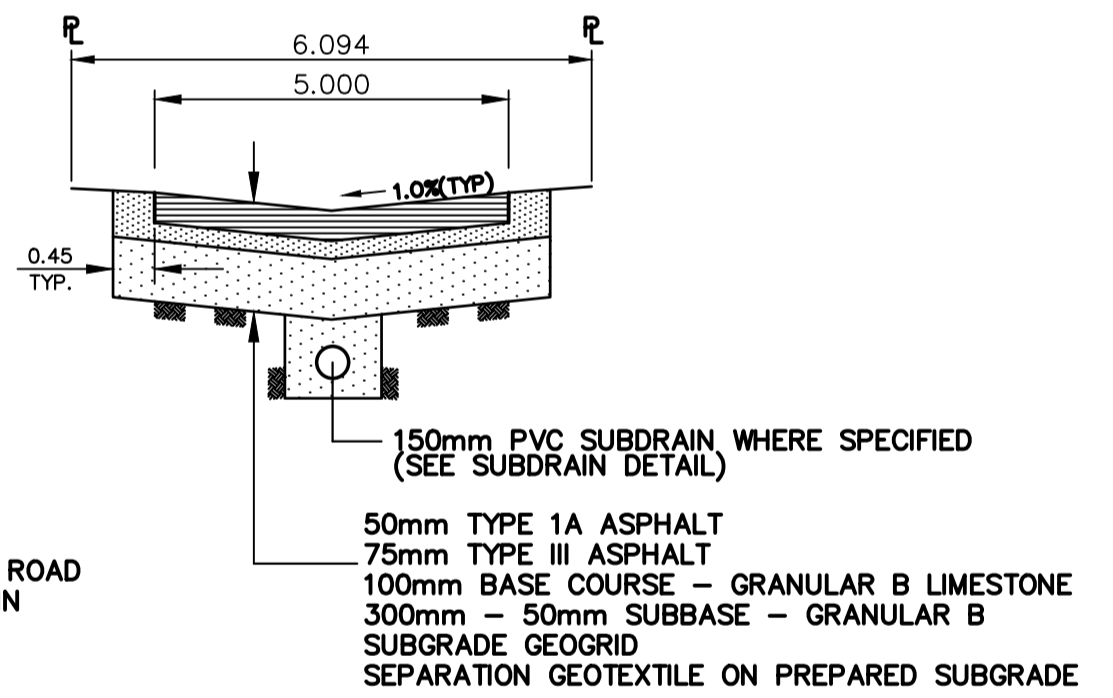
LAND DRAINAGE SEWER PROFILE
SCALE: 1:250 HOR
1:100 VER



ASH STREET

MONTROSE STREET

GROSVENOR AVENUE



**ENGINEERS
GEO-SCIENTISTS
MANITOBA**
Certificate of Authorization
WSP Canada Group Limited
No. 6657

METRIC
WHOLE NUMBERS INDICATE MILLIMETRES
DECIMALIZED NUMBERS INDICATE METRES
UNLESS OTHERWISE NOTED

<table border="1"> <tr><td>WATERMAIN</td><td>—</td><td>M.T.S.</td><td>—</td></tr> <tr><td>HYDRANT</td><td>—</td><td>CONCRETE/ASPHALT</td><td>—</td></tr> <tr><td>VALVE</td><td>—</td><td>SIDEWALK</td><td>—</td></tr> <tr><td>CURB STOP</td><td>—</td><td>CURB RAMP</td><td>—</td></tr> <tr><td>LAND DRAINAGE SEWER</td><td>—</td><td>ELEVATIONS</td><td>(232.000)</td></tr> <tr><td>WASTE WATER SEWER</td><td>—</td><td>PROPERTY LINE</td><td>—</td></tr> <tr><td>CB LEAD</td><td>—</td><td>SURVEY BAR</td><td>—</td></tr> <tr><td>MANHOLE</td><td>—</td><td>HYDRO POLE</td><td>—</td></tr> <tr><td>CATCH BASIN</td><td>—</td><td>STREET LIGHT</td><td>—</td></tr> <tr><td>GAS</td><td>—</td><td>JOINTS</td><td>—</td></tr> <tr><td>HYDRO</td><td>—</td><td>ASPHALT REPAIR</td><td>—</td></tr> <tr><td>EXISTING</td><td>—</td><td>LEGEND - PLAN</td><td>—</td></tr> <tr><td>PROPOSED</td><td>—</td><td>LEGEND - PROFILE</td><td>—</td></tr> </table>	WATERMAIN	—	M.T.S.	—	HYDRANT	—	CONCRETE/ASPHALT	—	VALVE	—	SIDEWALK	—	CURB STOP	—	CURB RAMP	—	LAND DRAINAGE SEWER	—	ELEVATIONS	(232.000)	WASTE WATER SEWER	—	PROPERTY LINE	—	CB LEAD	—	SURVEY BAR	—	MANHOLE	—	HYDRO POLE	—	CATCH BASIN	—	STREET LIGHT	—	GAS	—	JOINTS	—	HYDRO	—	ASPHALT REPAIR	—	EXISTING	—	LEGEND - PLAN	—	PROPOSED	—	LEGEND - PROFILE	—	<table border="1"> <tr><td>150 WM</td><td>—</td><td>WATERMAIN</td><td>—</td></tr> <tr><td>300 LDS</td><td>—</td><td>VALVE</td><td>—</td></tr> <tr><td>250 WWS</td><td>—</td><td>LAND DRAINAGE SEWER</td><td>—</td></tr> <tr><td></td><td>—</td><td>WASTE WATER SEWER</td><td>—</td></tr> <tr><td></td><td>—</td><td>CENTERLINE</td><td>—</td></tr> <tr><td></td><td>—</td><td>SOUTH & EAST GUTTER</td><td>—</td></tr> <tr><td></td><td>—</td><td>NORTH & WEST GUTTER</td><td>—</td></tr> <tr><td></td><td>—</td><td>S & E GARAGE PAD</td><td>—</td></tr> <tr><td></td><td>—</td><td>N & W GARAGE PAD</td><td>—</td></tr> <tr><td></td><td>—</td><td>LEGEND - PROFILE</td><td>—</td></tr> </table>	150 WM	—	WATERMAIN	—	300 LDS	—	VALVE	—	250 WWS	—	LAND DRAINAGE SEWER	—		—	WASTE WATER SEWER	—		—	CENTERLINE	—		—	SOUTH & EAST GUTTER	—		—	NORTH & WEST GUTTER	—		—	S & E GARAGE PAD	—		—	N & W GARAGE PAD	—		—	LEGEND - PROFILE	—	<p>LOCATION APPROVED UNDERGROUND STRUCTURES</p> <table border="1"> <tr><td>SUPV. U/G STRUCTURES</td><td>DATE</td><td></td></tr> <tr><td>NOTE:</td><td></td><td></td></tr> <tr><td>LOCATION OF UNDERGROUND STRUCTURES AS SHOWN ARE BASED ON THE BEST INFORMATION AVAILABLE BUT NO GUARANTEE IS GIVEN THAT ALL EXISTING UTILITIES ARE SHOWN OR THAT THE GIVEN LOCATIONS ARE EXACT. CONFIRMATION OF EXISTENCE AND EXACT LOCATION OF ALL SERVICES MUST BE OBTAINED FROM THE INDIVIDUAL UTILITIES BEFORE PROCEEDING WITH CONSTRUCTION.</td><td></td><td></td></tr> </table>	SUPV. U/G STRUCTURES	DATE		NOTE:			LOCATION OF UNDERGROUND STRUCTURES AS SHOWN ARE BASED ON THE BEST INFORMATION AVAILABLE BUT NO GUARANTEE IS GIVEN THAT ALL EXISTING UTILITIES ARE SHOWN OR THAT THE GIVEN LOCATIONS ARE EXACT. CONFIRMATION OF EXISTENCE AND EXACT LOCATION OF ALL SERVICES MUST BE OBTAINED FROM THE INDIVIDUAL UTILITIES BEFORE PROCEEDING WITH CONSTRUCTION.			<table border="1"> <tr><td>B.M. - TOP NUT OF HYDRANT AT THE NORTH EAST CORNER OF OAK ST./FLEET AVE. INTERSECTION</td><td>ELEV. - 233.565</td></tr> <tr><td>DESIGNED BY</td><td>A.B.</td></tr> <tr><td>CHECKED BY</td><td>A.B./R.H.</td></tr> <tr><td>DRAWN BY</td><td>D.R.</td></tr> <tr><td>APPROVED BY</td><td>S.M.</td></tr> <tr><td>HOR. SCALE:</td><td>1:250</td></tr> <tr><td>VERT. SCALE:</td><td>AS SHOWN</td></tr> <tr><td>REVISIONS</td><td></td></tr> </table>	B.M. - TOP NUT OF HYDRANT AT THE NORTH EAST CORNER OF OAK ST./FLEET AVE. INTERSECTION	ELEV. - 233.565	DESIGNED BY	A.B.	CHECKED BY	A.B./R.H.	DRAWN BY	D.R.	APPROVED BY	S.M.	HOR. SCALE:	1:250	VERT. SCALE:	AS SHOWN	REVISIONS		<p>wsp</p> <p>111-93 Lombard Avenue Winnipeg, Manitoba R3B 3B1 Canada Phone: 204-943-3178 Fax: 204-943-4948 wsp.com</p>	<p>NOT FOR CONSTRUCTION</p> <p>CONSULTANT DRAWING NO. 18M-01983-00-03</p>	<p>THE CITY OF WINNIPEG PUBLIC WORKS DEPARTMENT</p> <p>2019 ALLEY RENEWALS ASH STREET / MONTROSE STREET ALLEY FROM STA 3+50 TO GROSVENOR AVENUE</p> <p>ASPHALT PAVEMENT</p>	<p>CITY DRAWING NO. LD-----</p> <p>SHEET 3 OF 3</p> <p>BID OPPORTUNITY 162-2020</p>
WATERMAIN	—	M.T.S.	—																																																																																																																									
HYDRANT	—	CONCRETE/ASPHALT	—																																																																																																																									
VALVE	—	SIDEWALK	—																																																																																																																									
CURB STOP	—	CURB RAMP	—																																																																																																																									
LAND DRAINAGE SEWER	—	ELEVATIONS	(232.000)																																																																																																																									
WASTE WATER SEWER	—	PROPERTY LINE	—																																																																																																																									
CB LEAD	—	SURVEY BAR	—																																																																																																																									
MANHOLE	—	HYDRO POLE	—																																																																																																																									
CATCH BASIN	—	STREET LIGHT	—																																																																																																																									
GAS	—	JOINTS	—																																																																																																																									
HYDRO	—	ASPHALT REPAIR	—																																																																																																																									
EXISTING	—	LEGEND - PLAN	—																																																																																																																									
PROPOSED	—	LEGEND - PROFILE	—																																																																																																																									
150 WM	—	WATERMAIN	—																																																																																																																									
300 LDS	—	VALVE	—																																																																																																																									
250 WWS	—	LAND DRAINAGE SEWER	—																																																																																																																									
	—	WASTE WATER SEWER	—																																																																																																																									
	—	CENTERLINE	—																																																																																																																									
	—	SOUTH & EAST GUTTER	—																																																																																																																									
	—	NORTH & WEST GUTTER	—																																																																																																																									
	—	S & E GARAGE PAD	—																																																																																																																									
	—	N & W GARAGE PAD	—																																																																																																																									
	—	LEGEND - PROFILE	—																																																																																																																									
SUPV. U/G STRUCTURES	DATE																																																																																																																											
NOTE:																																																																																																																												
LOCATION OF UNDERGROUND STRUCTURES AS SHOWN ARE BASED ON THE BEST INFORMATION AVAILABLE BUT NO GUARANTEE IS GIVEN THAT ALL EXISTING UTILITIES ARE SHOWN OR THAT THE GIVEN LOCATIONS ARE EXACT. CONFIRMATION OF EXISTENCE AND EXACT LOCATION OF ALL SERVICES MUST BE OBTAINED FROM THE INDIVIDUAL UTILITIES BEFORE PROCEEDING WITH CONSTRUCTION.																																																																																																																												
B.M. - TOP NUT OF HYDRANT AT THE NORTH EAST CORNER OF OAK ST./FLEET AVE. INTERSECTION	ELEV. - 233.565																																																																																																																											
DESIGNED BY	A.B.																																																																																																																											
CHECKED BY	A.B./R.H.																																																																																																																											
DRAWN BY	D.R.																																																																																																																											
APPROVED BY	S.M.																																																																																																																											
HOR. SCALE:	1:250																																																																																																																											
VERT. SCALE:	AS SHOWN																																																																																																																											
REVISIONS																																																																																																																												