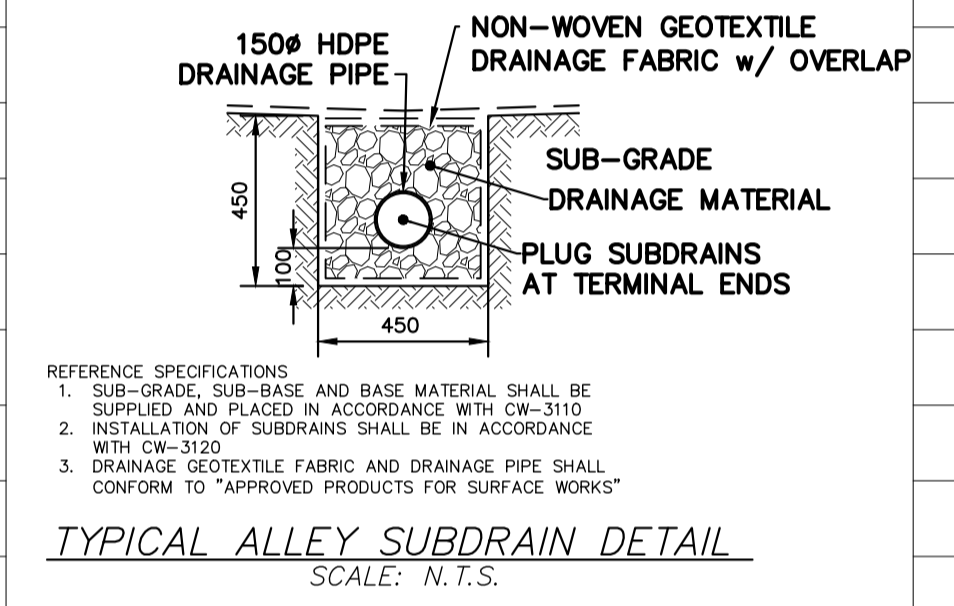
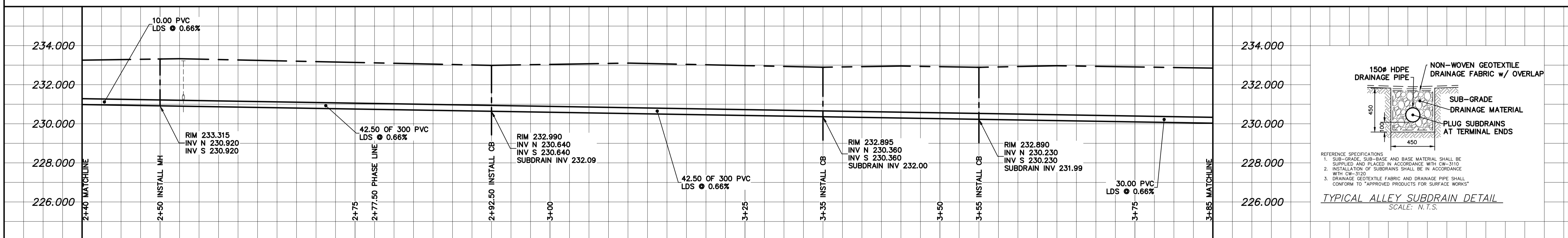


- NOTES:**
1. ALL WORK AND MATERIALS TO BE IN ACCORDANCE WITH THE LATEST REVISION OF THE CITY OF WINNIPEG STANDARD CONSTRUCTION SPECIFICATION.
 2. CONTRACTOR TO CONFIRM THE LOCATION OF ALL UTILITIES/SERVICES IN THE FIELD PRIOR TO CONSTRUCTION.
 3. CONTRACTOR TO AVOID DAMAGE TO EXISTING TREES WITHIN THE LIMITS OF THE ALLEY RIGHT OF WAY AS OUTLINED IN THE BID OPPORTUNITY.
 4. HYDRO POLES AND ANCHORS REQUIRING TEMPORARY SUPPORT TO BE DONE AT THE EXPENSE OF THE CONTRACTOR AS REQUIRED.
 5. WHERE UNSTABLE SUB-GRADES ARE ENCOUNTERED, ADDITIONAL EXCAVATION/SUB-BASE TO BE DETERMINED BY THE CONTRACT ADMINISTRATOR AND CONSTRUCTED IN ACCORDANCE W/ CW-3110.
 6. PROPOSED ELEVATIONS GIVEN ARE FOR EDGE OF PAVEMENT.
 7. ISOLATE EXISTING HYDRO POLES AS PER SD-228C.
 8. RENEW CURB AND SIDEWALK AS DIRECTED BY THE CONTRACT ADMINISTRATOR.
 9. MODIFIED BARRIER CURB TO BE CONSTRUCTED AT ALL BACK LANE RADI.
 10. ALL EXISTING PRIVATE APPROACHES TO BE RENEWED AS DIRECTED BY THE CONTRACT ADMINISTRATOR.
 11. ADJUSTMENTS TO PROPOSED CROSSFALL, WHERE REQUIRED, ARE TO BE DETERMINED BY THE CONTRACT ADMINISTRATOR TO SUIT EXISTING DRIVEWAYS, APPROACHES, ETC.
 12. ALL BOULEVARD RESTORATION TO BE SODDED UNLESS OTHERWISE NOTED.
 13. INSTALLATION OF UP CURBS AND THEIR LIMITS THROUGH PRIVATE APPROACHES TO BE DETERMINED BY THE CONTRACT ADMINISTRATOR.
 14. REMOVE, ADJUST, AND SUPPLY PRECAST SIDEWALK BLOCKS AS DIRECTED BY THE CONTRACT ADMINISTRATOR.

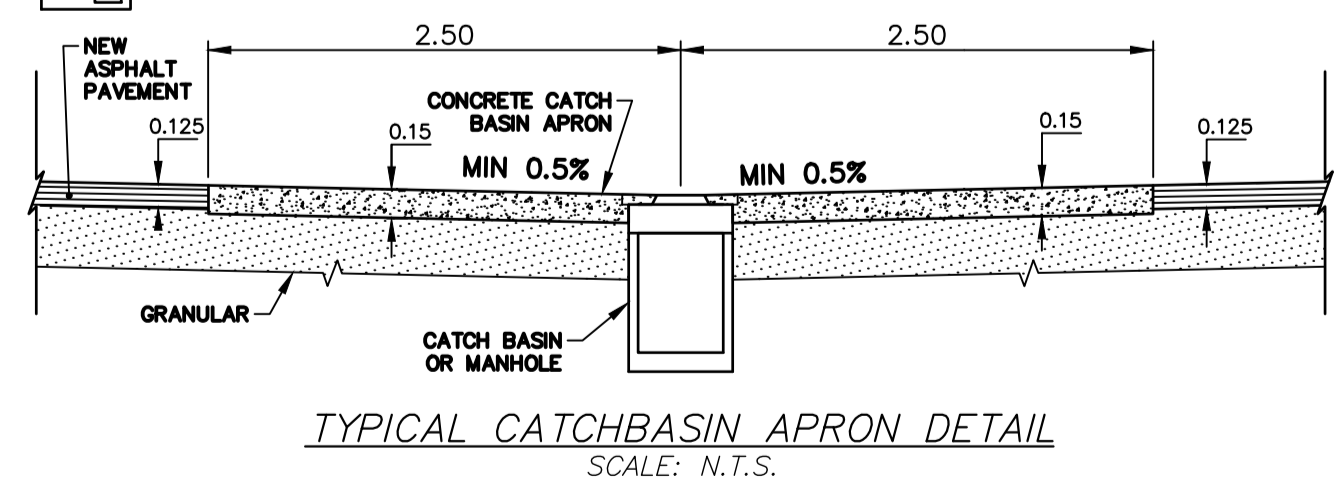
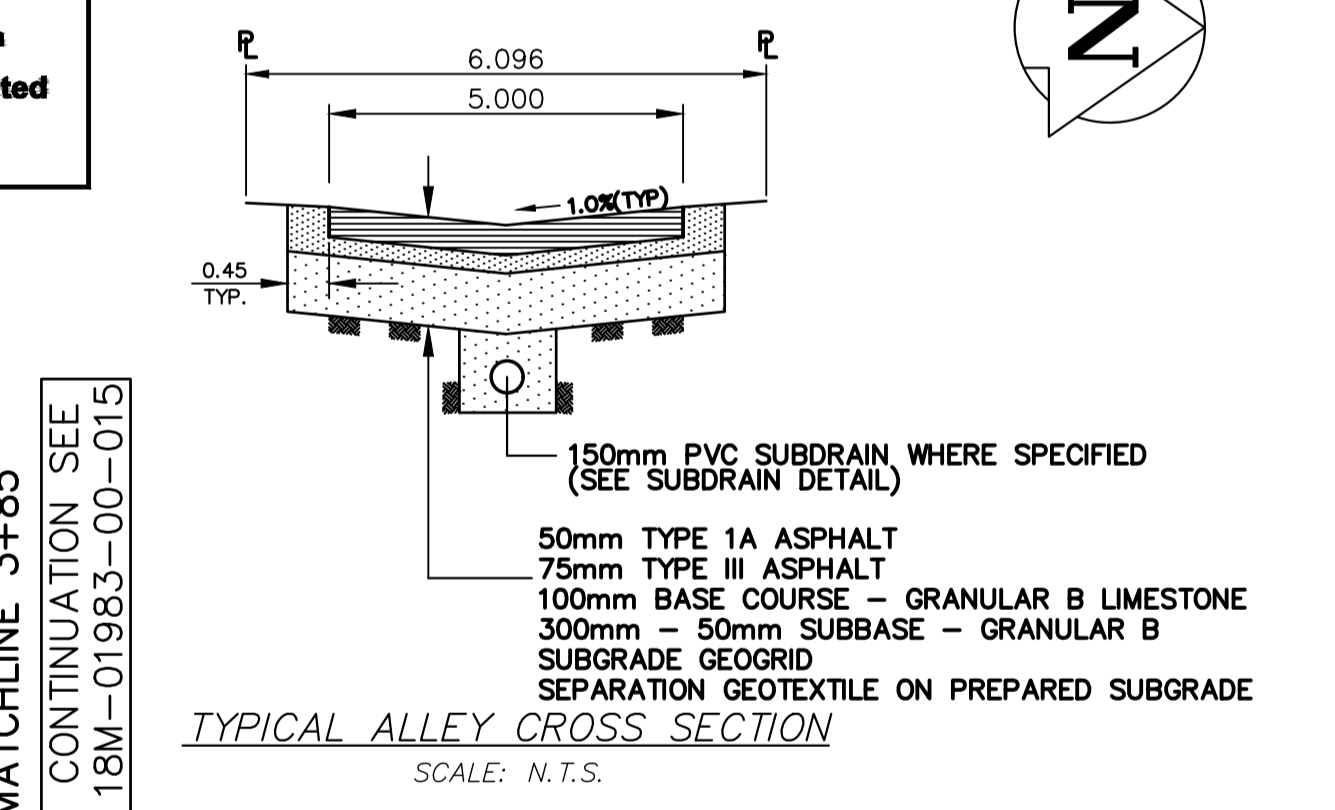
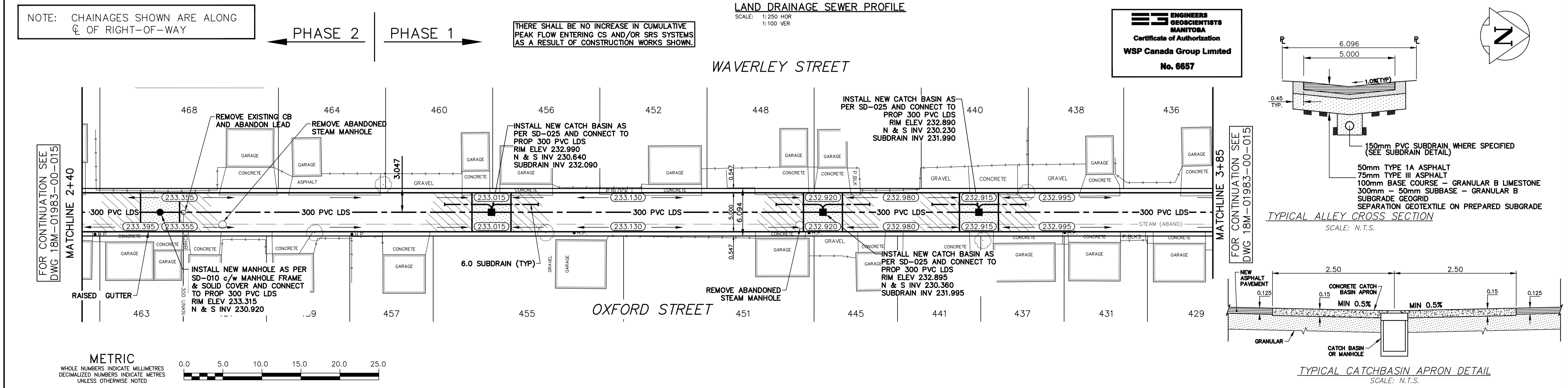
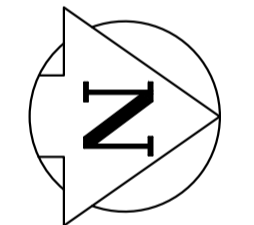
ALLEY PAVEMENT PROFILE
SCALE: 1:250 HOR
1:10 VER



NOTE: CHAINAGES SHOWN ARE ALONG CL OF RIGHT-OF-WAY

LAND DRAINAGE SEWER PROFILE
SCALE: 1:250 HOR
1:100 VER

ENGINEERS GEOSCIENTISTS MANITOBA
Certificate of Authorization
WSP Canada Group Limited
No. 6657



EXISTING	LEGEND - PLAN	PROPOSED	EXISTING	LEGEND - PLAN	PROPOSED	EXISTING	LEGEND - PROFILE	PROPOSED
	WATERMAIN		CONCRETE/ASPHALT		M.T.S.		WATERMAIN VALVE	150 MM
	HYDRANT		SIDEWALK		CONCRETE/ASPHALT		LAND DRAINAGE SEWER	300 PVC LDS
	VALVE		CURB RAMP		ELEVATIONS		WASTE WATER SEWER	250 WWS
	CURB STOP		PROPERTY LINE		SURVEY BAR		SOUTH & EAST GUTTER	
	LAND DRAINAGE SEWER		NORTH & WEST GUTTER		S & E GARAGE PAD		NORTH & WEST GARAGE PAD	
	WASTE WATER SEWER		MANHOLE		STREET LIGHT		JOINTS	
	CB LEAD		HYDRO POLE		ASPHALT REPAIR			
	MANHOLE							
	CATCH BASIN							
	GAS							
	HYDRO							

LOCATION APPROVED UNDERGROUND STRUCTURES

SUPV. U/G STRUCTURES	DATE

NOTE:
LOCATION OF UNDERGROUND STRUCTURES AS SHOWN ARE BASED ON THE BEST INFORMATION AVAILABLE BUT NO GUARANTEE IS GIVEN THAT ALL EXISTING UTILITIES ARE SHOWN OR THAT THE GIVEN LOCATIONS ARE EXACT. CONFIRMATION OF EXISTENCE AND EXACT LOCATION OF ALL SERVICES MUST BE OBTAINED FROM THE INDIVIDUAL UTILITIES BEFORE PROCEEDING WITH CONSTRUCTION.

wsp

111-93 Lombard Avenue
Winnipeg, Manitoba
R3B 3B1 Canada
Phone: 204-943-3178
Fax: 204-943-4948
wsp.com

DESIGNED BY: A.B.
CHECKED BY: A.B.
DRAWN BY: D.R.
APPROVED BY: S.M.

HOR. SCALE: 1:250
VERT. SCALE: AS SHOWN

REVISIONS

NOT FOR CONSTRUCTION

CONSULTANT DRAWING NO.
18M-01983-00-14

THE CITY OF WINNIPEG
PUBLIC WORKS DEPARTMENT

2019 ALLEY RENEWALS
WAVERLEY STREET / OXFORD STREET ALLEY
FROM STA 2+40 TO STA 3+85

CITY DRAWING NO.
LD-0000

SHEET 2 OF 3

BID OPPORTUNITY
162-2020

ASPHALT PAVEMENT