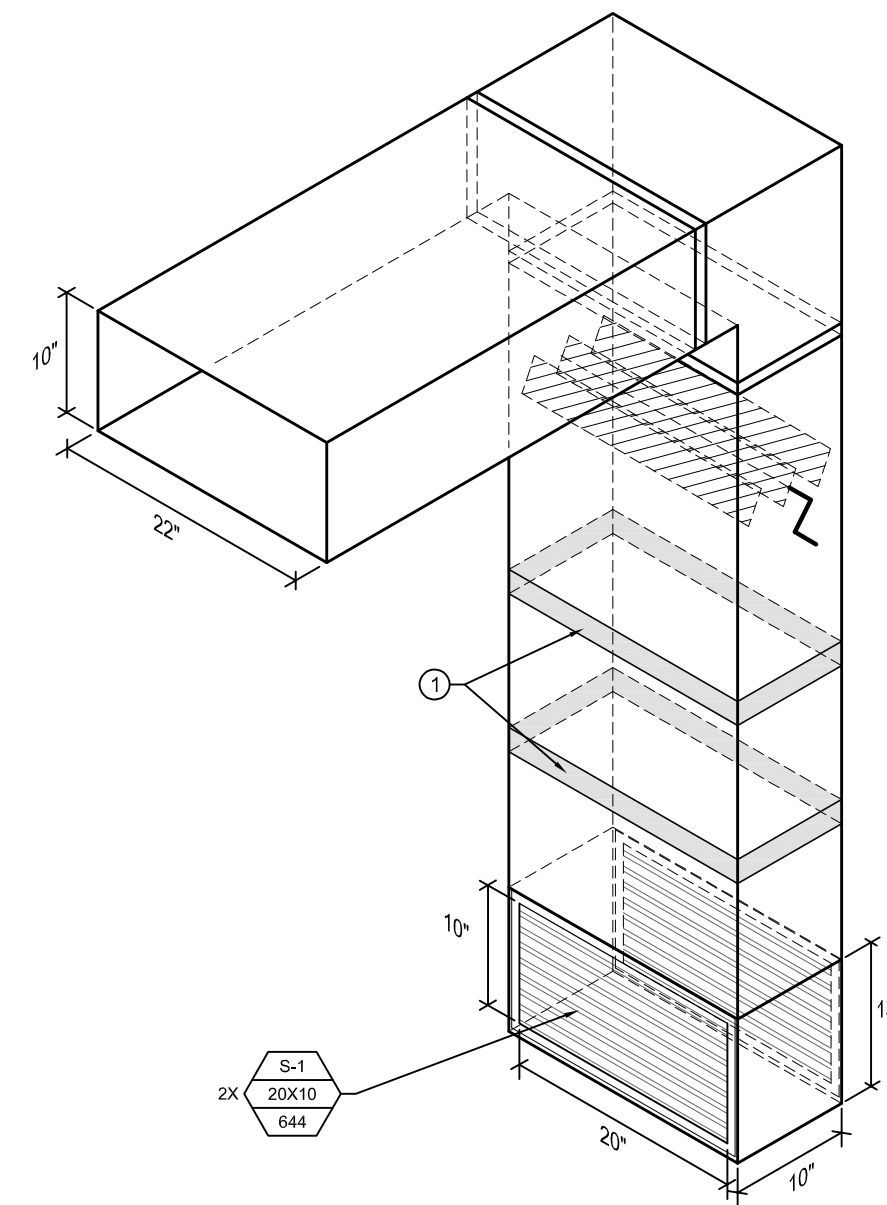
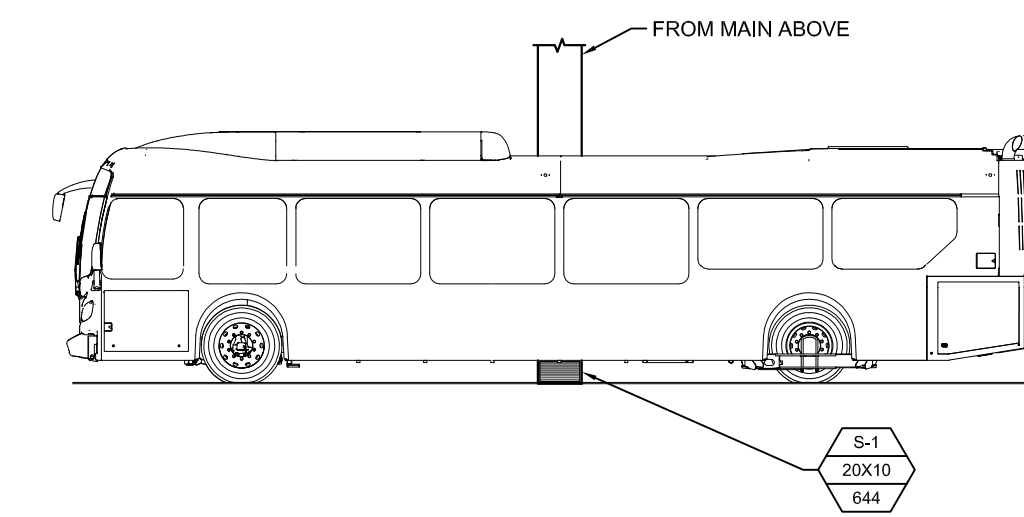


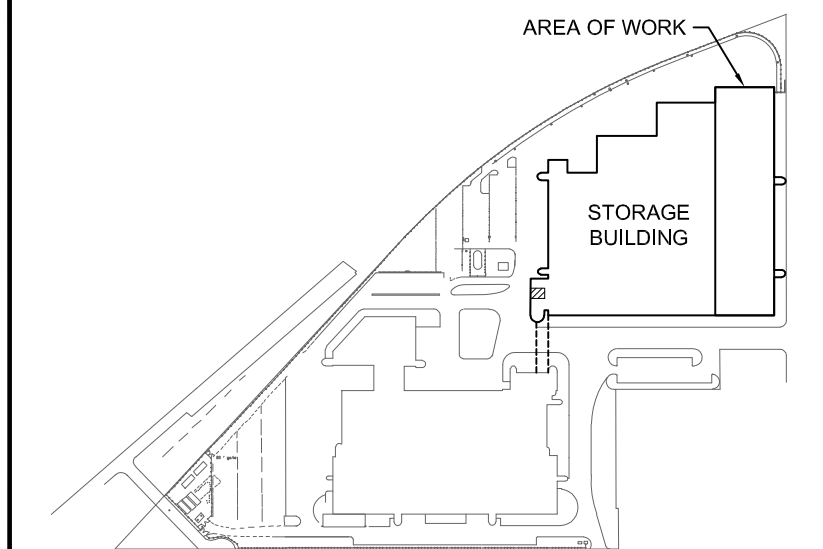
1 SUPPLY AIR PLENUM DETAIL ALONG GRIDLINE 59 & 61
SCALE: N.T.S.
M6.1



2 SUPPLY AIR PLENUM DETAIL ALONG GRIDLINE 60
SCALE: N.T.S.
M6.1



3 BUS - SECTION
SCALE: N.T.S.
M6.1

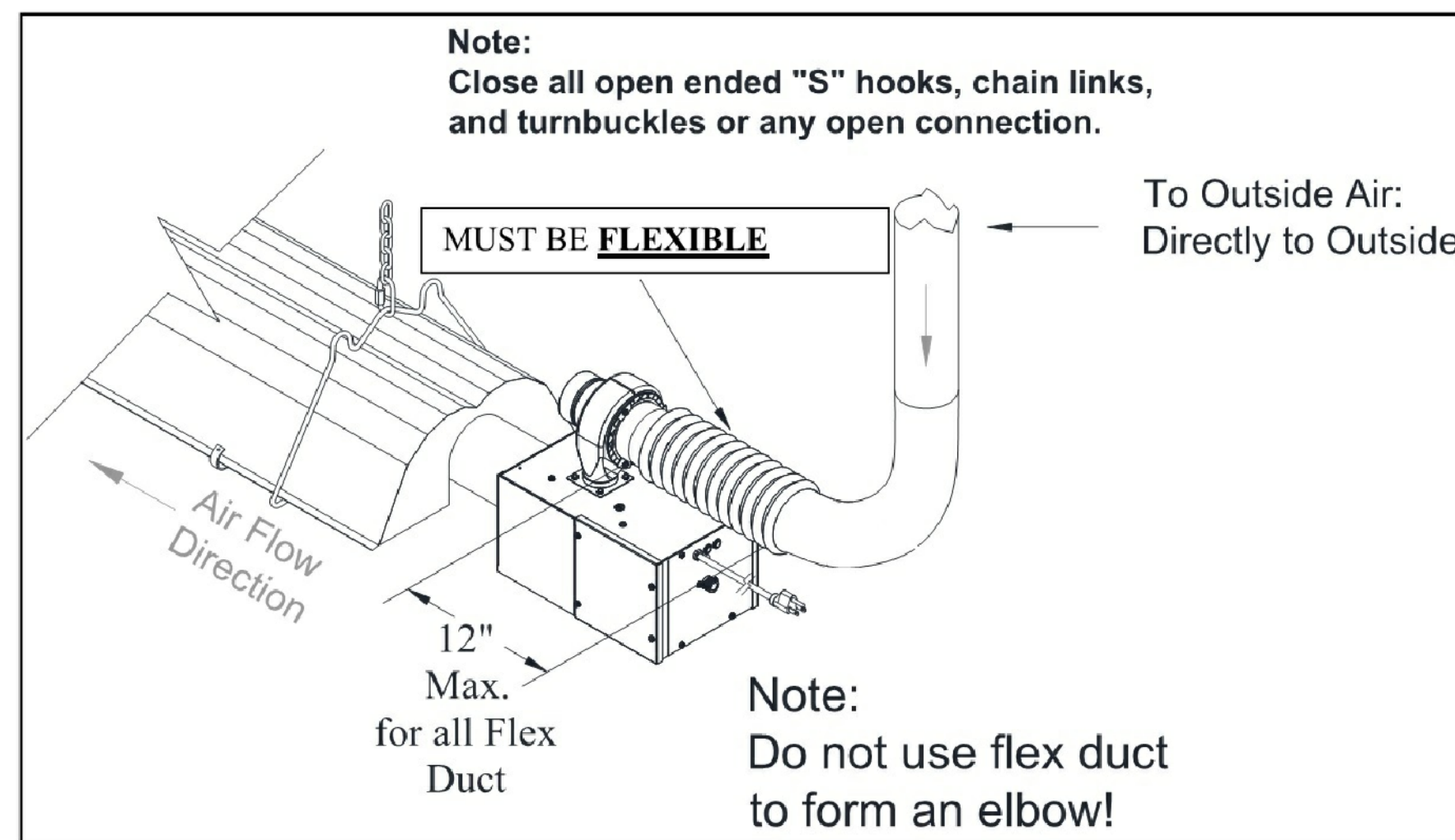


GENERAL NOTES

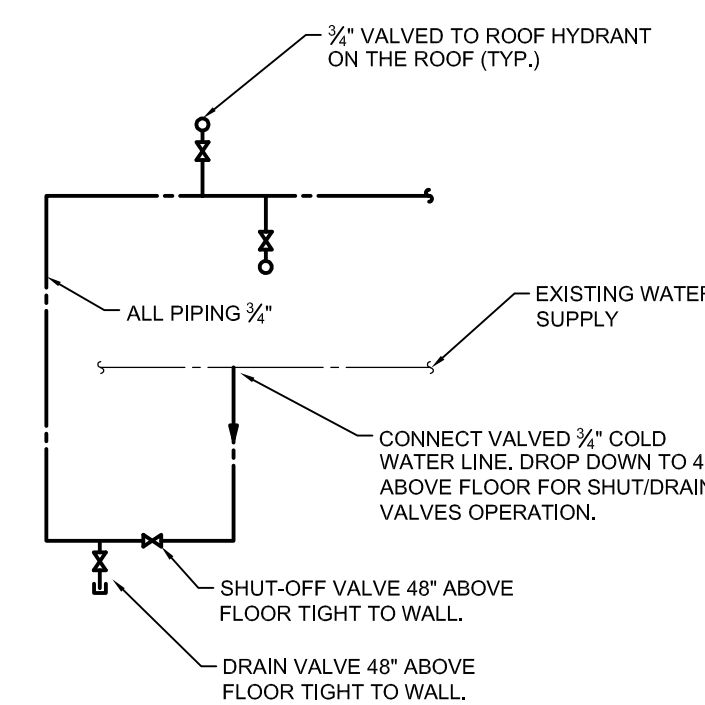
- A. THIS BUILDING MAY CONTAIN ASBESTOS. REFER TO FRONT END SPECIFICATIONS FOR FURTHER INFORMATION.
- B. REFER TO ROOF DETAILS AND SPECIFICATIONS FOR ALL NEW AND CAPPED OPENINGS.

KEY NOTES

- 1. PROVIDE YELLOW BANDING ON DUCT DROPS FOR VISUAL INDICATION. BANDING TO MATCH EXISTING IN TRACK 1-24.

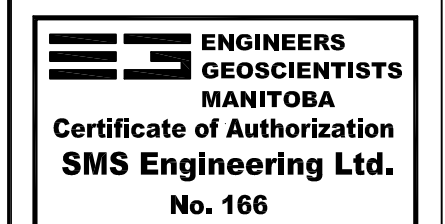


4 COMBUSTION AIR DUCT INSTALLATION
SCALE: N.T.S.
M6.1



5 ROOF HYDRANT SCHEMATIC DETAILS
SCALE: N.T.S.
M6.1

0	ISSUED FOR CONSTRUCTION	JH	16/01/20
NO.	Description	BY	DDMMYY



Project Title
**CITY OF WINNIPEG FORT ROUGE
TRANSIT BASE - STORAGE
TRACK 25-36 - MECHANICAL
UPGRADE**
WINNIPEG MANITOBA

Drawing Title
MECHANICAL DETAILS

Drawn By IE	Checked By XZ	Approved By JH
Scale N.T.S.	Date JANUARY, 2020	Project No. 19-332-02
Revision Number 0	Drawing Number M6.1	Sheet Order 14 OF 14