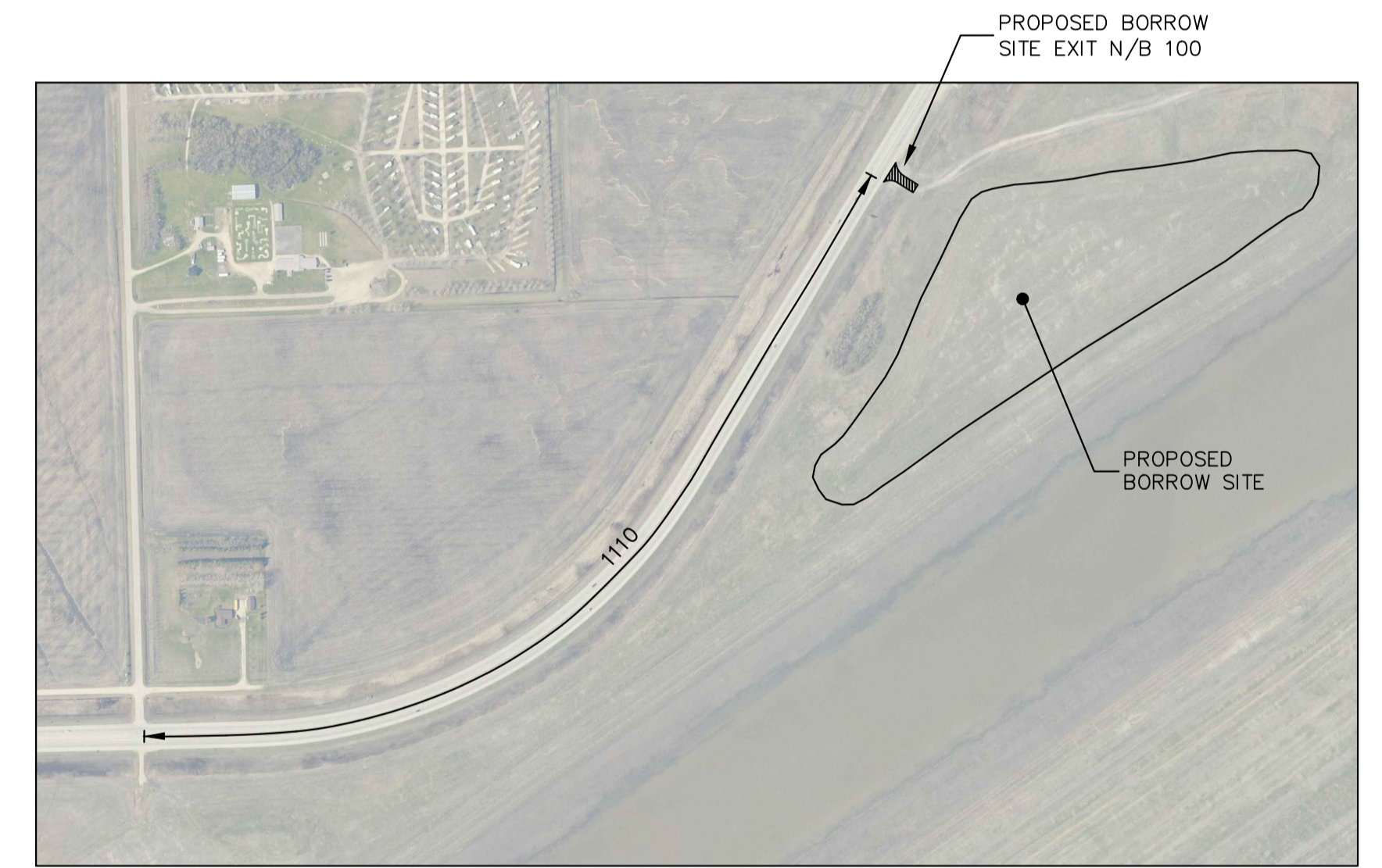
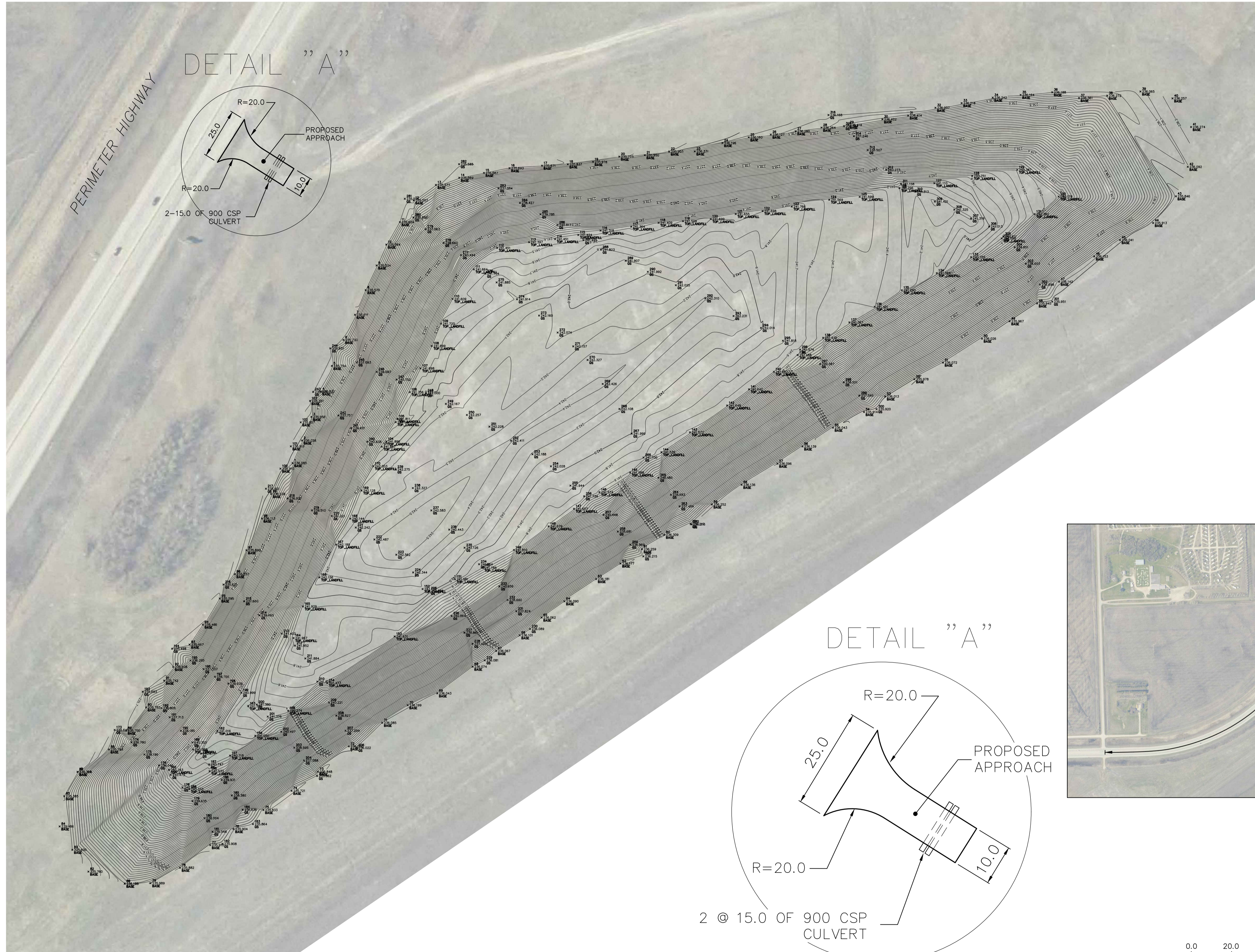
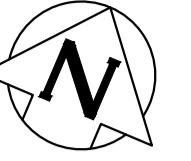
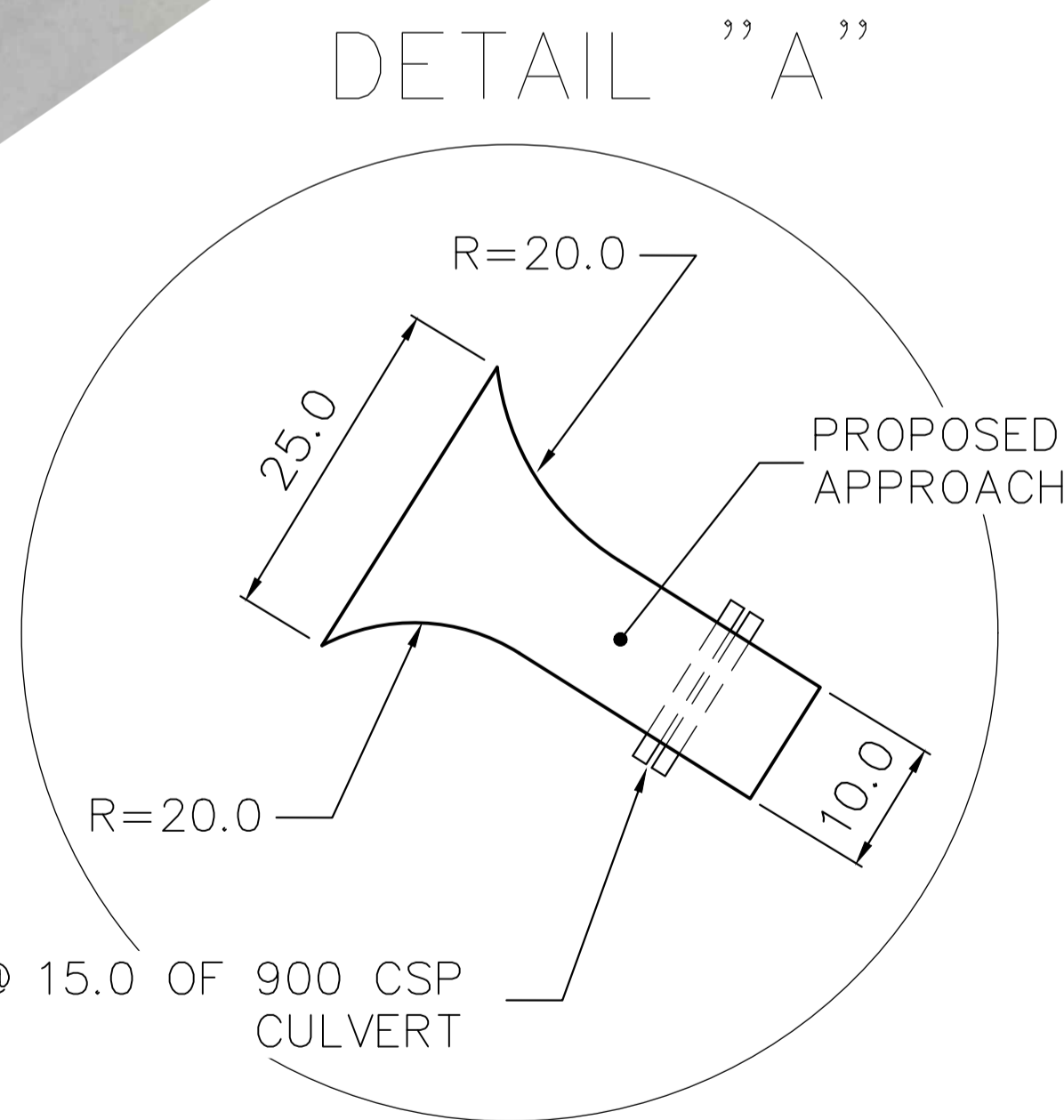


## **APPENDIX A – CLAY BORROW SITE**



KEY PLAN  
SCALE: NTS



METRIC  
WHOLE NUMBERS INDICATE MILLIMETRES  
DECIMALIZED NUMBERS INDICATE METRES

**WARNING**

IF POWER EQUIPMENT OR EXPLOSIVES ARE TO BE USED FOR EXCAVATION ON THIS PROJECT THE CONTRACTOR MUST:  
1) NOTIFY THE GAS COMPANY OF THE PROPOSED LOCATION OF EXCAVATION.  
2) TAKE PRECAUTION TO AVOID DAMAGE TO GAS COMPANY INSTALLATIONS.  
SEE PROVINCIAL REGULATION 210/72 FOR DETAILS



200 WM	WATERMAIN	200 WM	SL, HYDRO	150 WM	WATERMAIN	150 WM	LOCATION APPROVED	B.M. ELEV.	FIELD BOOK #	CITY OF WINNIPEG WATER AND WASTE ENGINEERING DIVISION	ENGINEER'S SEAL	<b>THE CITY OF WINNIPEG</b> WATER AND WASTE DEPARTMENT 2020 SPRING FLOOD <b>CLAY BORROW SITE</b>	SHEET 1 OF 1
525 LDS	LAND DRAINAGE SEWER	525 LDS	TRAFFIC SIGNALS	50 GAS	50 GAS	300 LDS	UNDERGROUND STRUCTURES	POSTED TO LBS			DESIGNED BY CT		CHECKED BY xxx
375 WWS	WASTEWATER SEWER	375 WWS	GAS	300 IGS	300 IGS	250 WWS	DATE			DRAWN BY CJH	APPROVED BY xxx		
	MANHOLE		SURVEY BAR	250 WWS	250 WWS		NOTE:			HOR. SCALE 1:1000	RELEASED FOR CONSTRUCTION	BID OPPORTUNITY: xxx-20xx	
	CATCH BASIN		FENCE				LOCATION OF UNDERGROUND STRUCTURES AS SHOWN ARE BASED ON THE BEST INFORMATION AVAILABLE BUT NO GUARANTEE IS GIVEN THAT ALL EXISTING UTILITIES ARE SHOWN OR THAT THE GIVEN LOCATIONS ARE EXACT. CONFIRMATION OF EXISTENCE AND EXACT LOCATION OF ALL SERVICES MUST BE OBTAINED FROM THE INDIVIDUAL UTILITIES BEFORE PROCEEDING WITH CONSTRUCTION.			VERTICAL		FILENAME : PLD UPGRADE.dwg	
	CURB INLET		POLE - HYDRO, MTS									FILE PATH: R:\DRAWINGS\SEWER\2011_RENEWALS\2011 LAND DRAINAGE\PLD UPGRADE CLAY BURROWS\FILE NAME: PLD UPGRADE.dwg	
	JUNCTIONS		CURB STOP										
	CULVERT		GUY ANCHOR										
	ANODE		LIGHT STANDARD										
EXISTING	LEGEND-PLAN	PROPOSED	EXISTING	LEGEND-PLAN	PROPOSED	EXISTING	LEGEND-PROFILE	PROPOSED					