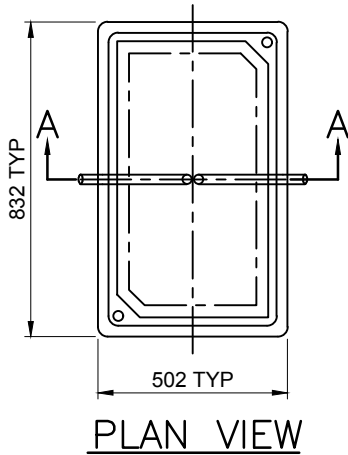
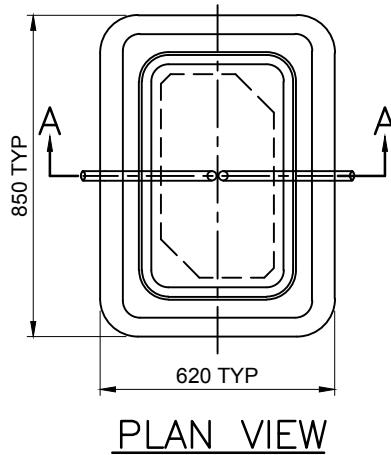


SERVICE BOX "32³/₄ x 19³/₄"

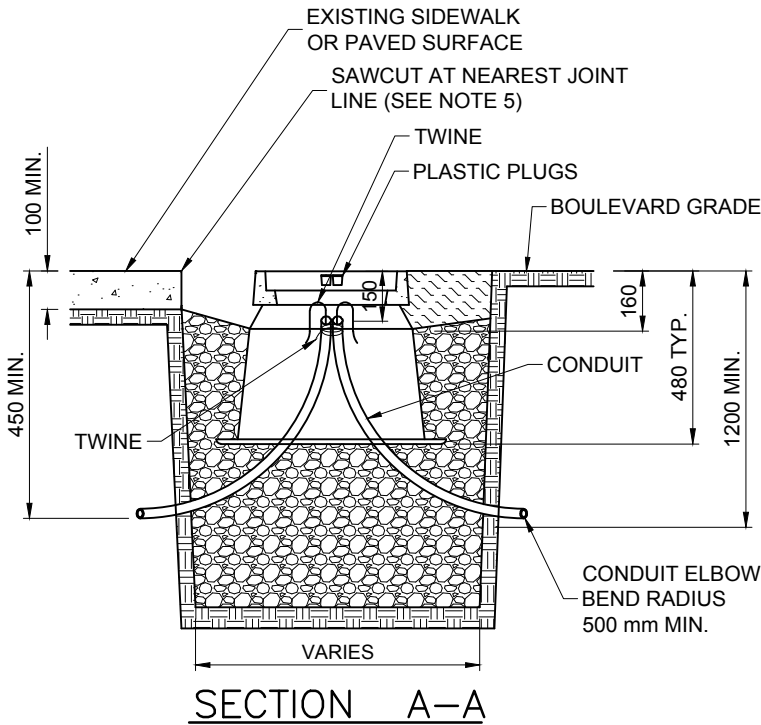


SERVICE BOX "33¹/₂ x 20¹/₂"



NOTES:

1. FILL BOTTOM OF EXCAVATION WITH COMPACTED LIMESTONE BASE COURSE MATERIAL TO SET PRECAST SERVICE BOX TO GRADE.
2. INSTALL PRECAST SERVICE BOX ON TOP OF COMPACTED GRANULAR FILL MATERIAL TO PAVEMENT, SIDEWALK OR BOULEVARD FINISH GRADE.
3. ALL CONDUITS MUST BE BUNDLED INTO A GROUP IN CENTRE OF BASE, AND TIED TOGETHER BELOW THE TOP OF THE BASE PRIOR TO CONCRETE POUR. INSTALL PLASTIC PLUGS PRIOR TO CONCRETE POUR.
4. BACKFILL AROUND PRECAST SERVICE BOX EXTERIOR. BACKFILL SHALL CONFORM TO REQUIREMENTS OF SD-342.
5. POUR TOP OF SERVICE BOX MONOLITHICALLY WITH ADJACENT SIDEWALK (BY OTHERS).



DIMENSIONS ARE IN MILLIMETRES (UNLESS OTHERWISE NOTED)



THE CITY OF WINNIPEG
PUBLIC WORKS DEPARTMENT

Reference Spec. No.
CW 3620-R5

SERVICE BOX – PRE-CAST

Revisions

No.	Date	Description	By
1	18/04/17	REVISED BY CITY OF WINNIPEG	JS
1	12/11/14	REVISED BY DILLON CONSULTING	DBW

Designed By: C.K.	Drawn By: N.K.B.	Scale : N.T.S.
Checked By: -	Date: 95-03-01	Drawing No.
Approved:		SD-322