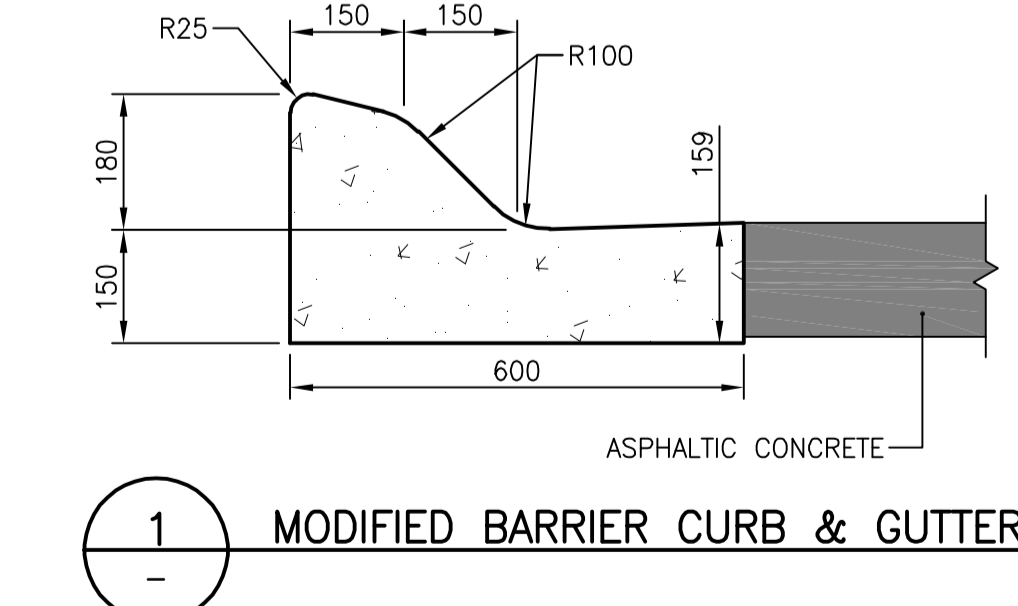


**WARNING**  
 IF POWER EQUIPMENT OR EXPLOSIVES ARE TO BE USED FOR EXCAVATION ON THIS PROJECT THE CONTRACTOR MUST:  
 1) NOTIFY THE GAS COMPANY OF THE PROPOSED LOCATION OF EXCAVATION.  
 2) TAKE PRECAUTION TO AVOID DAMAGE TO GAS COMPANY INSTALLATIONS.  
 SEE PROVINCIAL REGULATION 140/92 FOR DETAILS

**METRIC**  
 WHOLE NUMBERS INDICATE MILLIMETRES  
 DECIMALIZED NUMBERS INDICATE METRES

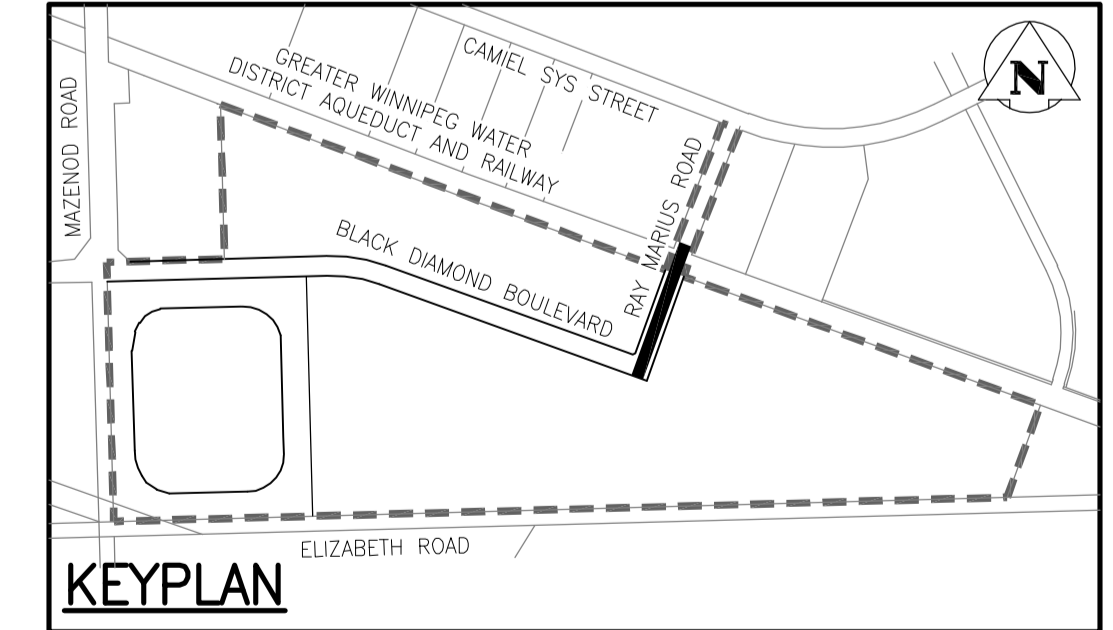


- NOTES:**
- CHAINAGES SHOWN ARE ALONG CENTERLINE OF ROAD.
  - SUBDRAINS 18.00m EACH SIDE OF CATCH BASINS (SD-245).
  - ALL PIPE UNDER EXISTING AND FUTURE PAVEMENT ARE INSTALLED BY TRENCHLESS METHODS.
  - ALL LONG ASSEMBLY HYDRANTS (SD-006). ALL SHORT ASSEMBLY HYDRANTS (SD-007).
  - CONTACT THE WATER AND WASTE DEPARTMENT'S CONSTRUCTION SERVICES COORDINATOR AT 204-986-4289, 7 DAYS PRIOR TO THE COMMENCEMENT OF CONSTRUCTION THROUGH THE AQUEDUCT & FEEDERMAIN PROPERTY TO ARRANGE FOR AN INSPECTION.
  - PRIOR TO ANY CONSTRUCTION, THE AQUEDUCT AND FEEDERMAIN MUST BE EXPOSED BY A SOFT DIG METHOD SO AS TO CONFIRM DEPTH AND LOCATION.
  - VIBRATORY EQUIPMENT NOT TO BE OPERATED OVER OR WITHIN 3.0m OF THE AQUEDUCT AND FEEDERMAIN CENTERLINE.
  - INSTALLATION EQUIPMENT MAY NOT CROSS OR TRAVEL ALONG EITHER SIDE OF THE AQUEDUCT AND FEEDERMAIN WITHIN A LATERAL DISTANCE OF 5.0m FROM THE CENTERLINE OF THE AQUEDUCT AND/OR FEEDERMAIN.
  - ALL EXISTING WATERMAIN HYDRANT TEES ARE IPEX AWWA C900.

BENCHMARK: N.W. Cor. of Mazenod Rd. & G.W.W.D. R.O.W., 19 mm dia. x 4.6 m I.B. in Valve Box, 3.0 m W. of W.L. of Mazenod Rd. & 4.0 m N. of N. rail of tracks in G.W. W.D. R.O.W.

1:500H  
 1:50V

**ENGINEERS GEOSCIENTISTS MANITOBA**  
 Certificate of Authorization  
 Stantec Consulting Ltd.  
 No. 1301



150 WM	WATERMAIN	150 WM	HYDRO	150 WM	WATERMAIN	150 WM
+	HYDRANT	+	M.T.S.	+	HYDRANT, VALVE	+
⊗	VALVE	⊗	CONCRETE	⊗	LAND DRAINAGE SEWER	⊗
300 LDS	LAND DRAINAGE SEWER	300 LDS	ASPHALT	250 WWS	WASTE WATER SEWER	250 WWS
250 WWS	WASTE WATER SEWER	250 WWS	SIDEWALK	⊗	PROFILE	⊗
●	MANHOLE	●	PROPERTY LINE	□	NORTH OR WEST GUTTER	□
■	CATCH BASIN	■	SURVEY BAR	+	SOUTH OR EAST GUTTER	+
▽	CURB INLET	▽	DITCH	◇	NORTH OR WEST DITCH	◇
+	JUNCTIONS	+	ROAD ELEVATION	◇	SOUTH OR EAST DITCH	◇
—	CULVERT	—		△	NORTH OR WEST DITCH	△
—	GAS	—		▽	SOUTH OR EAST DITCH	▽
---	EXISTING	---	LEGEND-PLAN	---	LEGEND-PROFILE	---
---	PROPOSED	---	EXISTING	---	PROPOSED	---

**LOCATION APPROVED UNDERGROUND STRUCTURES**

SUPV. U/G STRUCTURES COMMITTEE DATE

**NOTE:**  
 LOCATION OF UNDERGROUND STRUCTURES AS SHOWN ARE BASED ON THE BEST INFORMATION AVAILABLE BUT NO GUARANTEE IS GIVEN THAT ALL EXISTING UTILITIES ARE SHOWN OR THAT THE GIVEN LOCATIONS ARE EXACT. CONFIRMATION OF EXISTENCE AND EXACT LOCATION OF ALL SERVICES MUST BE OBTAINED FROM THE INDIVIDUAL UTILITIES BEFORE PROCEEDING WITH CONSTRUCTION.

NO.	REVISIONS	DATE	BY
1	SUBMITTED FOR CITY REVIEW	20.03.27	P.J.S.

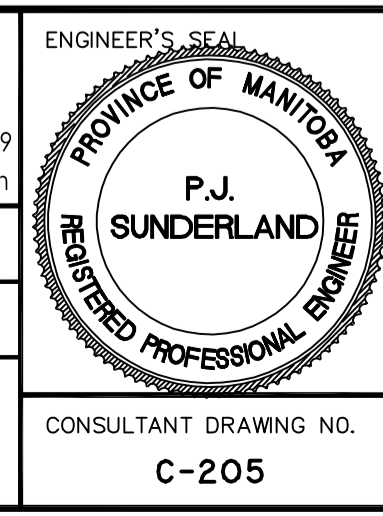
**Stantec**  
 500-311 Portage Avenue, Winnipeg M8 Canada R3B 2B9  
 Tel. 204.489.5900 Fax. 204.453.9012 www.stantec.com

DESIGNED BY: P.J.S. CHECKED BY: J.D.K.  
 DRAWN BY: L.D. APPROVED BY: P.J.S.

HOR. SCALE: 1:500  
 VERTICAL: 1:50

RELEASED FOR CONSTRUCTION: DATE

CONSULTANT DRAWING NO. C-205



**THE CITY OF WINNIPEG**  
 Winnipeg

ST. BONIFACE INDUSTRIAL PARK - PH 2 - STAGE 2&3

**RAY MARIUS ROAD**  
 BLACK DIAMOND BOULEVARD TO  
 175m N OF BLACK DIAMOND BOULEVARD

SHEET 8 OF 11  
 CAD FILE DRAWING NUMBER 09351C-205\_PH2-2&3.DWG  
 CITY DRAWING NUMBER

VA:1680 d:\h\1680351\0300\_dfr\h\1680351\_0302\_sheret\_files\02\_civil\phases\_2-stage\_2&3 (2017)td\09351c-205\_ph2-2&3.dwg  
 2020/03/26 4:04 PM By: davek, Labonde