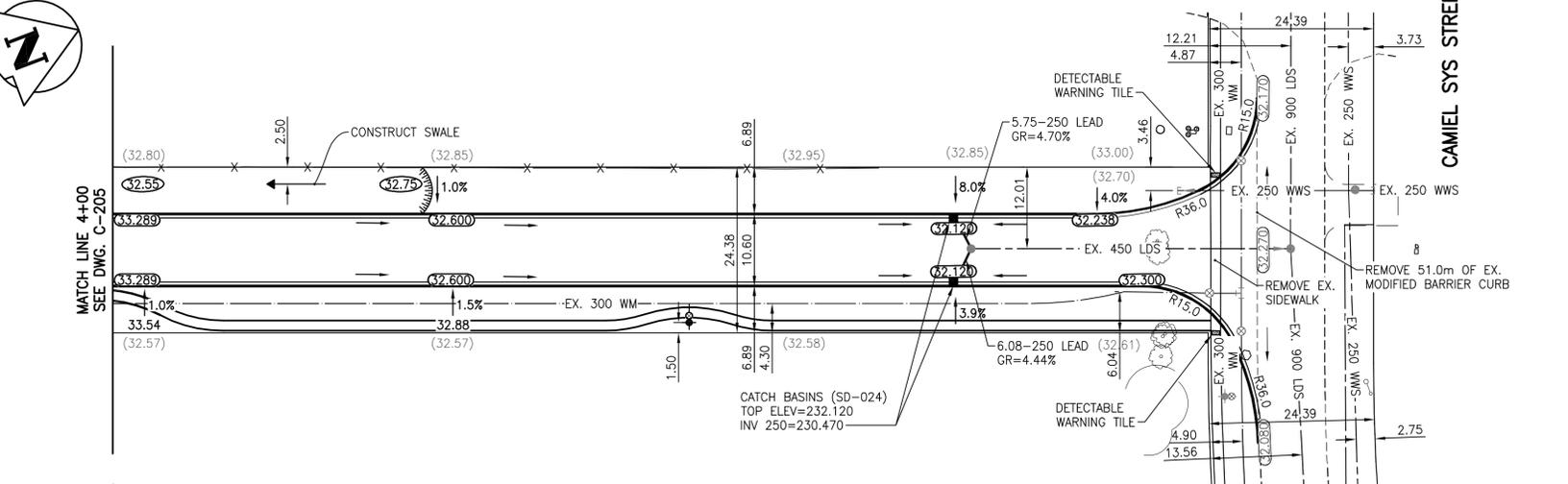


RAY MARIUS ROAD



**WARNING**  
IF POWER EQUIPMENT OR EXPLOSIVES ARE TO BE USED FOR EXCAVATION ON THIS PROJECT THE CONTRACTOR MUST:  
1) NOTIFY THE GAS COMPANY OF THE PROPOSED LOCATION OF EXCAVATION.  
2) TAKE PRECAUTION TO AVOID DAMAGE TO GAS COMPANY INSTALLATIONS.  
SEE PROVINCIAL REGULATION 140/92 FOR DETAILS

**METRIC**  
WHOLE NUMBERS INDICATE MILLIMETRES  
DECIMALIZED NUMBERS INDICATE METRES

- NOTES:**
- CHAINAGES SHOWN ARE ALONG CENTERLINE OF ROAD.
  - SUBDRAINS 18.00m EACH SIDE OF CATCH BASINS (SD-245).
  - ALL PIPE UNDER EXISTING AND FUTURE PAVEMENT ARE INSTALLED BY TRENCHLESS METHODS.
  - ALL LONG ASSEMBLY HYDRANTS (SD-006)  
ALL SHORT ASSEMBLY HYDRANTS (SD-007).
  - ALL EXISTING WATERMAIN HYDRANT TEES ARE IPEX AWWA C900.

BENCHMARK: N.W. Cor. of Mazenod Rd. & G.W.W.D. R.O.W., 19 mm dia. x 4.6 m I.B. in Valve Box, 3.0 m W. of W.L. of Mazenod Rd. & 4.0 m N. of N. rail of tracks in G.W. W.D. R.O.W.



**ENGINEERS GEOSCIENTISTS MANITOBA**  
Certificate of Authorization  
Stantec Consulting Ltd.  
No. 1301

VA:1680 d:\p\1680351\0300\_dfm\p\1680351\_0302\_sheret\_files\02\_civil\phase\_2-stage\_2&3 (2017road)\09351c-205\_ph2-2&3.dwg 2020/03/26 4:04 PM By: davek, Labonde

150 W.M.	WATERMAIN	150 W.M.	HYDRO	150 W.M.	WATERMAIN	150 W.M.
+	HYDRANT	+	M.T.S.	+	HYDRANT, VALVE	+
⊗	VALVE	⊗	CONCRETE	⊗	LAND DRAINAGE SEWER	⊗
300 LDS	LAND DRAINAGE SEWER	300 LDS	ASPHALT	250 WWS	WASTE WATER SEWER	250 WWS
250 WWS	WASTE WATER SEWER	250 WWS	SIDEWALK	⊗	PROPERTY LINE	⊗
●	MANHOLE	●	PROPERTY LINE	□	NORTH OR WEST GUTTER	□
■	CATCH BASIN	■	SURVEY BAR	□	SOUTH OR EAST GUTTER	□
▽	CURB INLET	▽	DITCH	◇	NORTH OR WEST	◇
+	JUNCTIONS	+	ROAD ELEVATION	◇	SOUTH OR EAST	◇
+	CULVERT	+	ROAD ELEVATION	△	NORTH OR WEST DITCH	△
+	GAS	+	ROAD ELEVATION	▽	SOUTH OR EAST DITCH	▽
---	EXISTING	---	LEGEND-PLAN	---	EXISTING	---
---	LEGEND-PLAN	---	PROPOSED	---	LEGEND-PROFILE	---

**LOCATION APPROVED UNDERGROUND STRUCTURES**

SUPV. U/G STRUCTURES COMMITTEE DATE

**NOTE:**  
LOCATION OF UNDERGROUND STRUCTURES AS SHOWN ARE BASED ON THE BEST INFORMATION AVAILABLE BUT NO GUARANTEE IS GIVEN THAT ALL EXISTING UTILITIES ARE SHOWN OR THAT THE GIVEN LOCATIONS ARE EXACT. CONFIRMATION OF EXISTENCE AND EXACT LOCATION OF ALL SERVICES MUST BE OBTAINED FROM THE INDIVIDUAL UTILITIES BEFORE PROCEEDING WITH CONSTRUCTION.

NO.	REVISIONS	DATE	BY
1	SUBMITTED FOR CITY REVIEW	20.03.27	P.J.S.

**Stantec**  
500 - 311 Portage Avenue, Winnipeg M8 Canada R3B 2B9  
Tel. 204.489.5900 Fax. 204.453.9012 www.stantec.com

DESIGNED BY: P.J.S. CHECKED BY: J.D.K.  
DRAWN BY: L.D. APPROVED BY: P.J.S.

HOR. SCALE: 1:500  
VERTICAL: 1:50

RELEASED FOR CONSTRUCTION: DATE

CONSULTANT DRAWING NO. C-206

**THE CITY OF WINNIPEG**

Winnipeg

ST. BONIFACE INDUSTRIAL PARK - PH 2 - STAGE 2&3

**RAY MARIUS ROAD**  
175m S OF CAMIEL SYS STREET TO CAMIEL SYS STREET

SHEET 9 OF 11  
CAD FILE DRAWING NUMBER 09351C-205\_PH2-2&3.DWG  
CITY DRAWING NUMBER