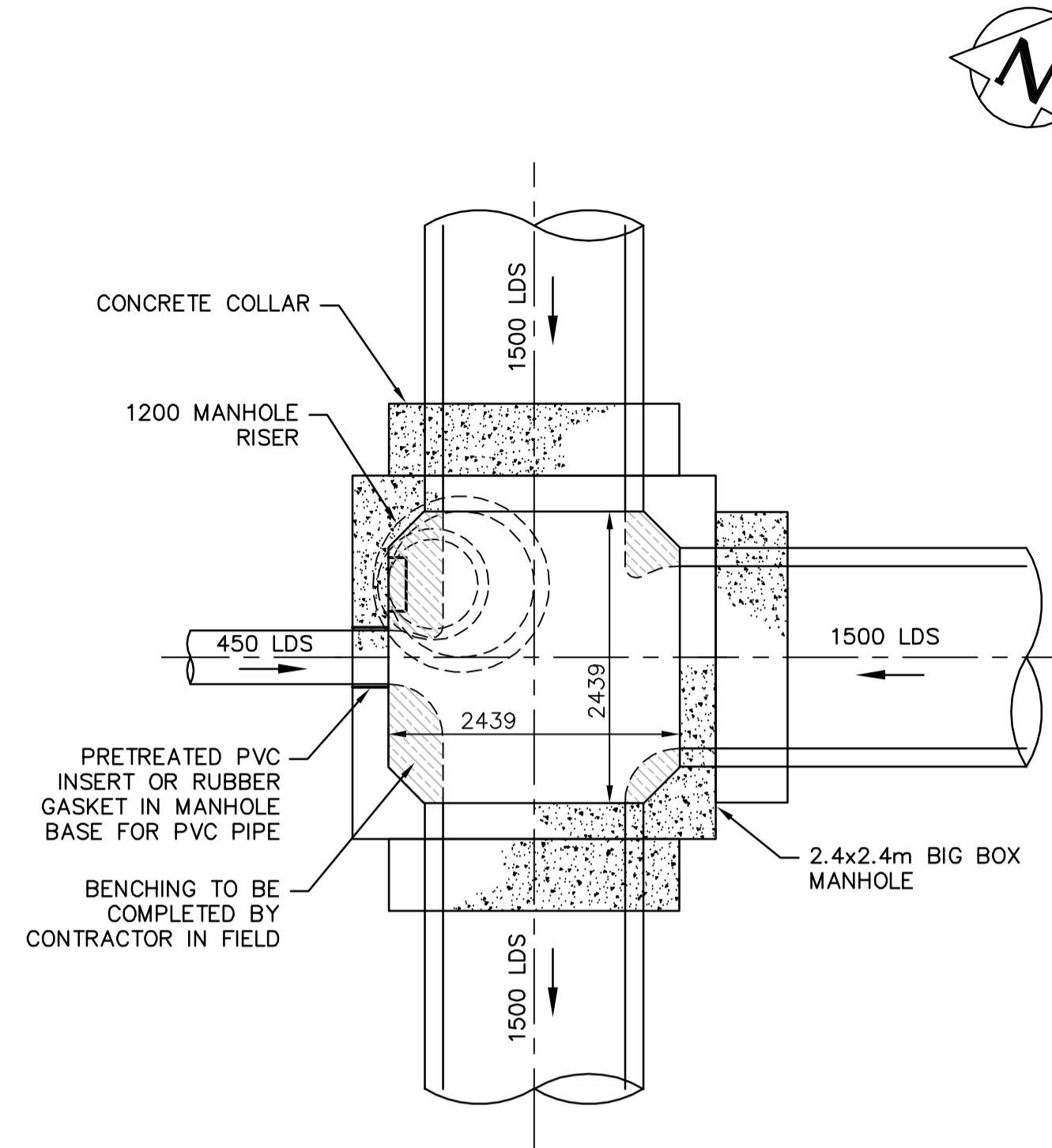


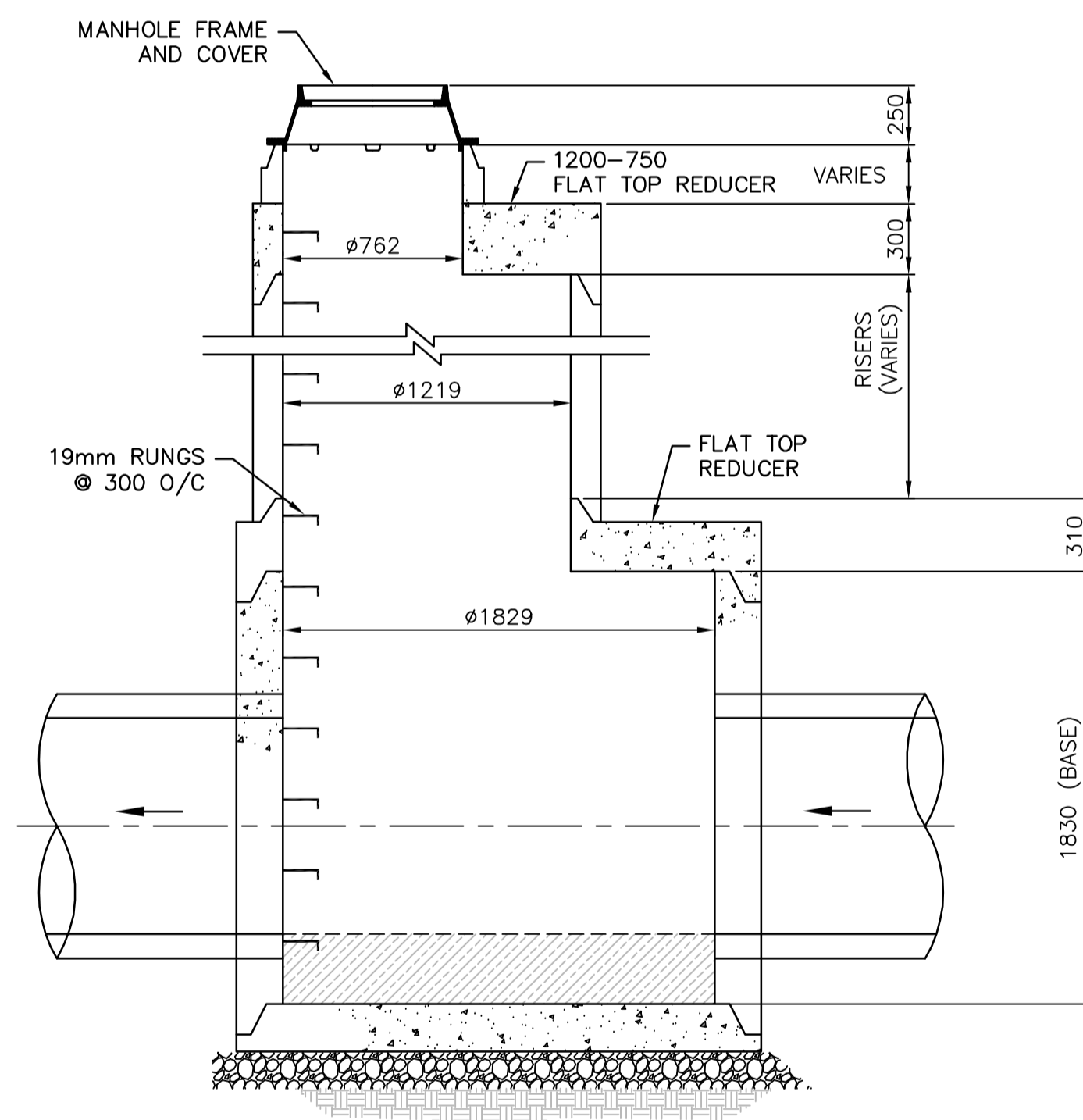
**SECTION**

NOTE:  
REFER TO PLAN/PROFILE DRAWINGS FOR ACTUAL PIPE SIZE,  
INVERTS AND MANHOLE ORIENTATION

**1** TYPICAL  $\phi$ 1200 -  $\phi$ 1500 MANHOLE DETAILS  
1:25

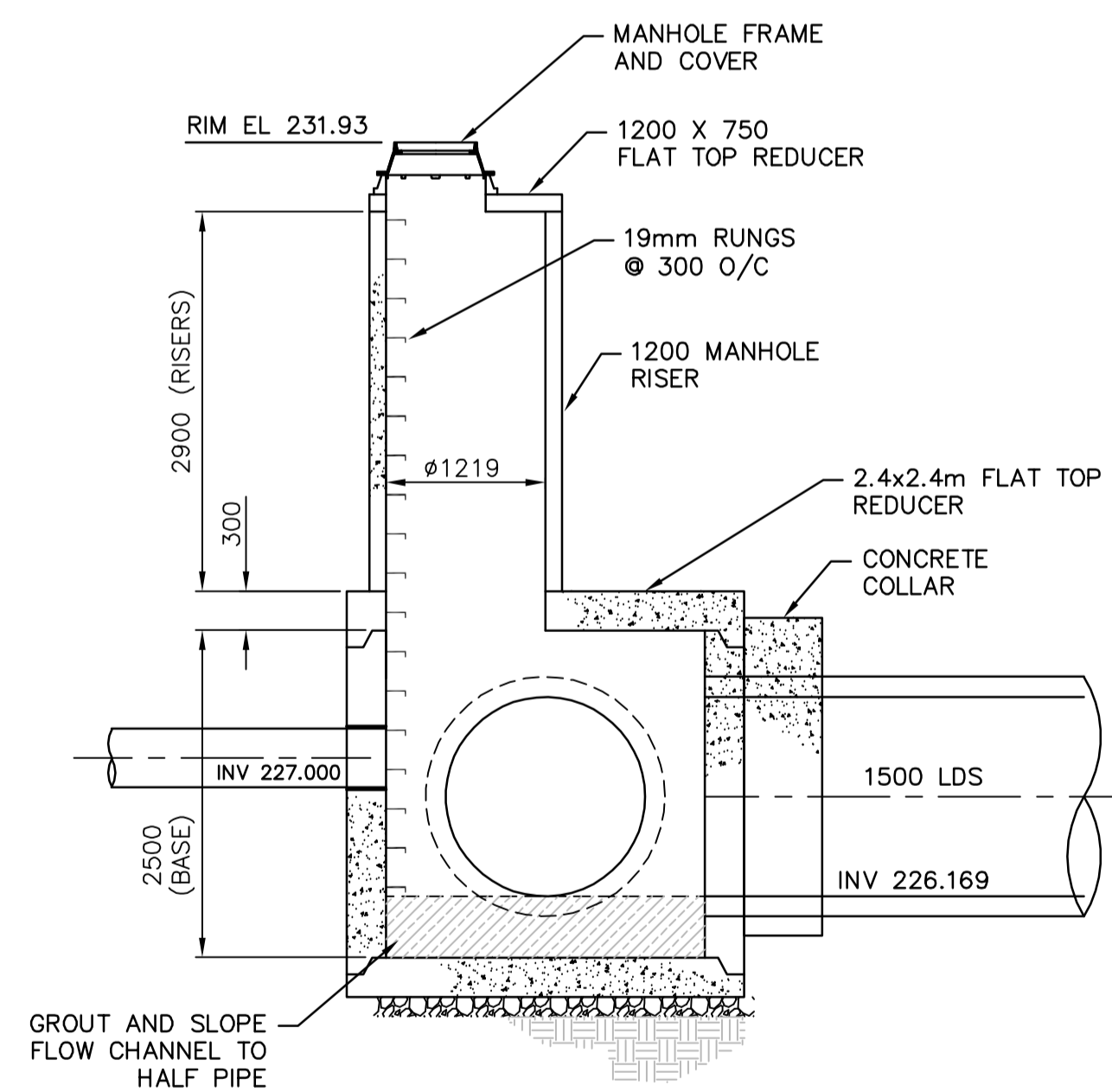


**PLAN**



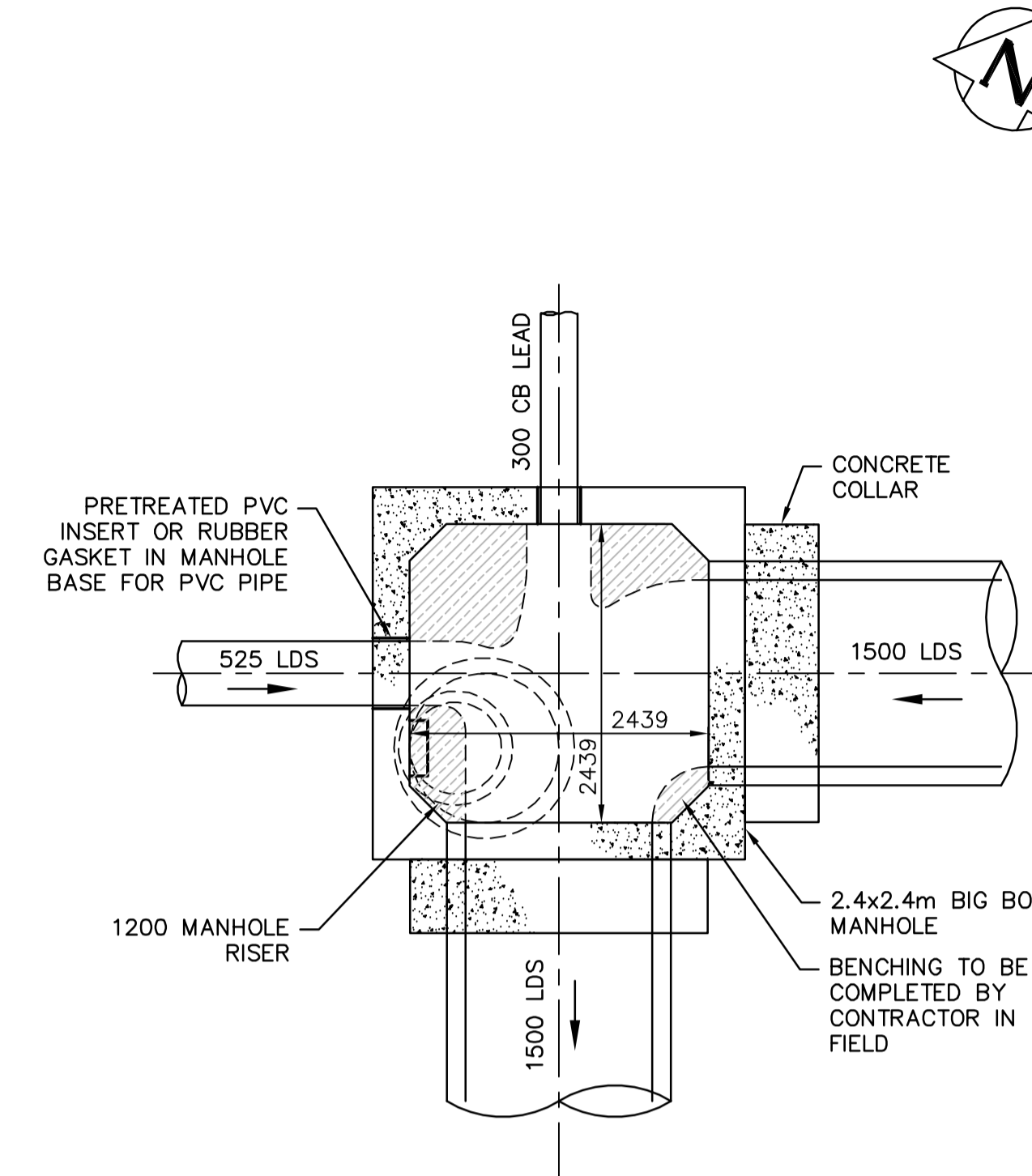
NOTE:  
REFER TO PLAN/PROFILE DRAWINGS FOR ACTUAL PIPE SIZE,  
INVERTS AND MANHOLE ORIENTATION

**2** TYPICAL  $\phi$ 1800 MANHOLE DETAILS  
1:25

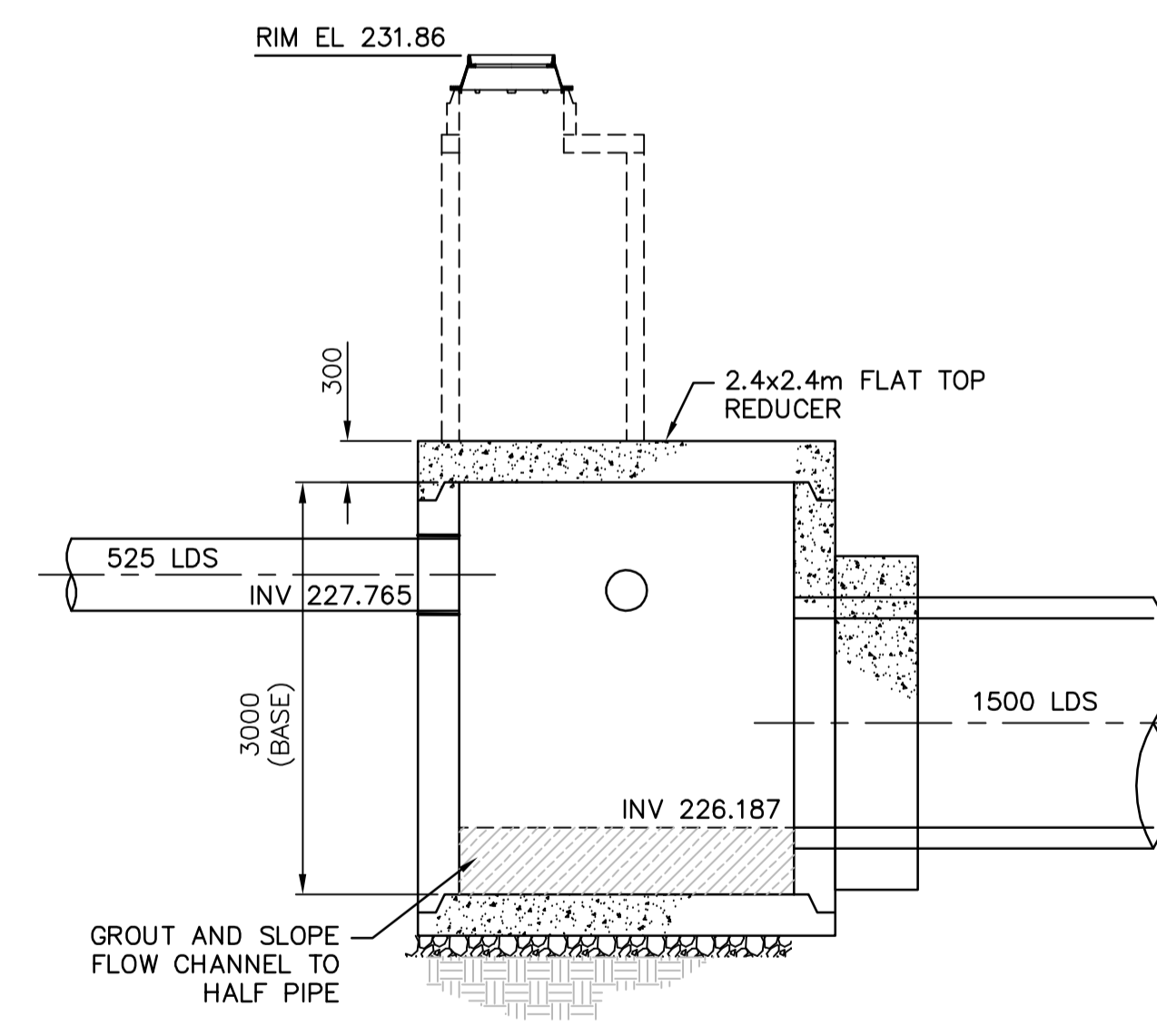


**SECTION**

**3** BIG BOX MANHOLE MH-106 DETAILS  
1:50

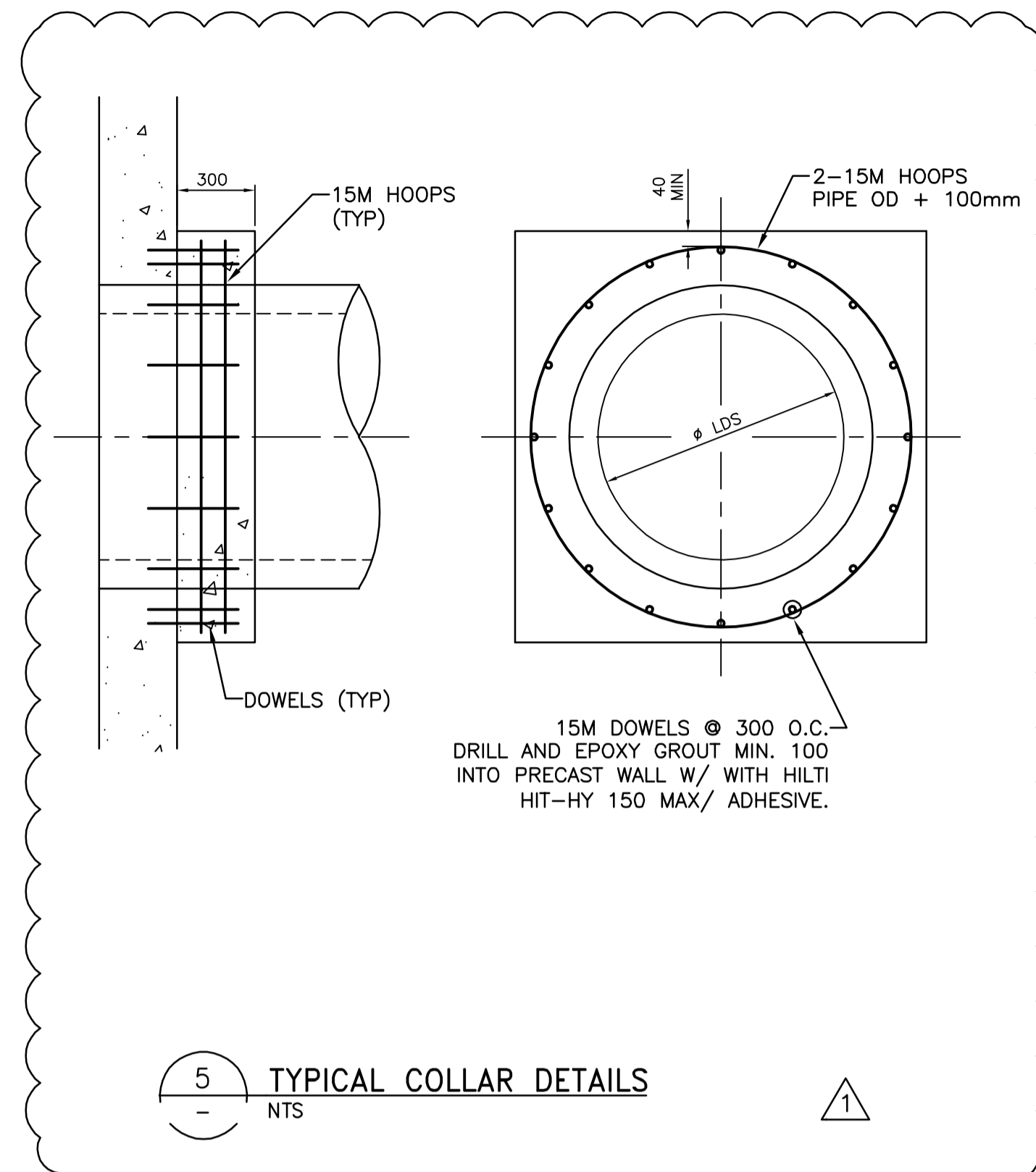


**PLAN**



**SECTION**

**4** BIG BOX MANHOLE MH-107 DETAILS  
1:50



**5** TYPICAL COLLAR DETAILS  
NTS

File name C:\p\_w\_workdir\ch2mhill\_wbg\jortez\0445899\



LOCATION APPROVED  
UNDERGROUND STRUCTURES

SUPV. U/G STRUCTURES DATE COMMITTEE  
NOTE:  
LOCATION OF UNDERGROUND STRUCTURES AS SHOWN ARE BASED ON THE BEST INFORMATION AVAILABLE BUT NO GUARANTEE IS GIVEN THAT ALL EXISTING UTILITIES ARE SHOWN OR THAT THE GIVEN LOCATIONS ARE EXACT. CONFIRMATION OF EXISTENCE AND EXACT LOCATION OF ALL SERVICES MUST BE OBTAINED FROM THE INDIVIDUAL UTILITIES BEFORE PROCEEDING WITH CONSTRUCTION.

| NO. | REVISIONS                 | DATE     | BY  | DATE |
|-----|---------------------------|----------|-----|------|
| 1   | ISSUED FOR ADDENDUM NO. 1 | 21/04/28 | JBC |      |
| 0   | ISSUED FOR TENDER         | 21/03/26 | JBC |      |

|               |          |                            |    |
|---------------|----------|----------------------------|----|
| <b>Jacobs</b> |          | <b>KGS GROUP</b>           |    |
| DESIGNED BY   | MD       | CHECKED BY                 | MD |
| DRAWN BY      | JBC      | APPROVED BY                |    |
| HOR. SCALE:   | AS NOTED | RELEASED FOR CONSTRUCTION: |    |
| VERTICAL:     | -        | DATE                       |    |

ENGINEER'S SEAL  
ORIGINAL SIGNED BY  
S.D. GODON  
ON 21/04/07  
CONSULTANT DRAWING NO.  
C-5003

**Winnipeg** THE CITY OF WINNIPEG  
WATER AND WASTE DEPARTMENT

PROJECT TITLE  
COCKBURN AND CALROSSIE COMBINED  
SEWER RELIEF WORKS - CONTRACT 6B

CIVIL  
STANDARD DETAILS (1)

SHEET 19 OF 20  
COMPUTER FILE NAME  
C-5003.dwg  
CITY DRAWING NUMBER  
LD-9691