

ROOM FINISH SCHEDULE

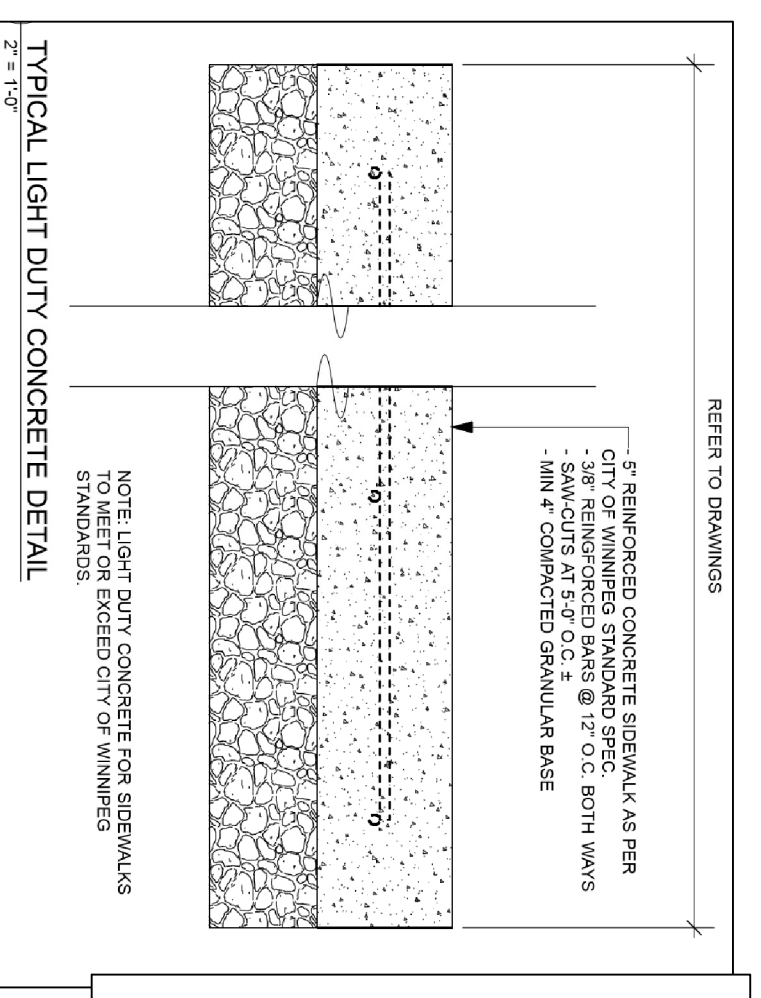
AREA NO.	AREA NAME	FLOOR	NORTH	WEST	BASEBOARDS		SOUTH	WALLS		HT.	CEILING	REMARKS
					EAST	WEST		EAST	SOUTH			
01	RESTROOM	CI	R.C.	R.C.	R.C.	R.C.	R.C.	PT 1	PT 1		EXISTING	EX
02	MEET ROOM	V.I.	R.C.	R.C.	R.C.	R.C.	R.C.	PT 1	PT 1		EXISTING	EX
03	CONCLOSION	CI	R.C.	R.C.	R.C.	R.C.	R.C.	PT 1	PT 4		PT 1	EX
04	BRANCH HEAD OFFICE	CARPET	R.C.	R.C.	R.C.	R.C.	R.C.	PT 1	PT 1		PT 3	EX
05	TUTORIAL	CARPET	R.C.	R.C.	R.C.	R.C.	R.C.	PT 1	PT 1		PT 1	EX
06	STAFF LUNCH	CARPET	R.C.	R.C.	R.C.	R.C.	R.C.	PT 1	PT 1		PT 3	EX
07	JANITORY	CARPET	R.C.	R.C.	R.C.	R.C.	R.C.	PT 1	PT 1		PT 1	EX
08	STAFF B.C.	CI	EXISTING	EXISTING	EXISTING	EXISTING	EXISTING	PT 1	PT 1		PT 1	EX
09	ESTRADA	CI	EXISTING	EXISTING	EXISTING	EXISTING	EXISTING	PT 1	PT 1		PT 1	EX
10	STORAGE RM	V.I.	R.C.	R.C.	R.C.	R.C.	R.C.	PT 1	PT 1		PT 1	EX
11	COBBLE	CI	R.C.	R.C.	R.C.	R.C.	R.C.	PT 1	PT 1		PT 1	EX
12	COBBLE	CI	R.C.	R.C.	R.C.	R.C.	R.C.	PT 1	PT 1		PT 1	EX
13	FOUR WASHROOM	EXISTING	EXISTING	EXISTING	EXISTING	EXISTING	EXISTING	EXISTING	EXISTING		EXISTING	EX
14	MALE WASHROOM	CARPET	R.C.	R.C.	R.C.	R.C.	R.C.	PT 1	PT 1		PT 1	EX
15	COBBLE	CI	R.C.	R.C.	R.C.	R.C.	R.C.	PT 1	PT 1		PT 1	EX
16	LIBRARY	CARPET	R.C.	R.C.	R.C.	R.C.	R.C.	PT 3	PT 1		PT 1	EX
17	DUBREIN'S LIBRARY	CARPET	R.C.	R.C.	R.C.	R.C.	R.C.	PT 3	PT 1		PT 1	EX
18	PROGRAM	CARPET	R.C.	R.C.	R.C.	R.C.	R.C.	PT 1	PT 1		PT 1	EX
15A	STORAGE RM.	V.I.	R.C.	R.C.	R.C.	R.C.	R.C.	PT 1	PT 1		PT 1	EX

SEE FINISH PLAN FOR CARPET TILE LOCATIONS AND PATTERNS

DOOR SCHEDULE

NUMBER	NOMINAL SIZE	TYPE	MAT'L	GAUGE	FINISH	COLOR	HOME		FRAME		REMARKS
							MAT'L	FINISH	MAT'L	FINISH	
D02	NEW DOUBLE 6"W, 7'H	SLAB	STEEL	18	PT	TYPE 2	STEEL	PT	TYPE 2		
D04	EXISTING, NEW LEVERS	EXIST	EXIST		PT	TYPE 2	EXIST	PT	TYPE 2		
D05	EXISTING, NEW LEVERS	EXIST	EXIST		PT	TYPE 2	EXIST	PT	TYPE 2		
D06	EXISTING, NEW LEVERS	EXIST	EXIST		PT	TYPE 2	EXIST	PT	TYPE 2		
D07	EXISTING	EXIST	EXIST		PT	TYPE 2	EXIST	PT	TYPE 2		
D08	EXISTING	EXIST	EXIST		PT	TYPE 2	EXIST	PT	TYPE 2		
D09	EXISTING	EXIST	EXIST		PT	TYPE 2	EXIST	PT	TYPE 2		
D10	EXISTING	EXIST	EXIST		PT	TYPE 2	EXIST	PT	TYPE 2		
D11	EXISTING	EXIST	EXIST		PT	TYPE 2	EXIST	PT	TYPE 2		
D13	EXISTING	EXIST	EXIST		PT	TYPE 2	EXIST	PT	TYPE 2		
D14	EXISTING, RELOCATED	EXIST	EXIST		PT	TYPE 2	EXIST	PT	TYPE 2		
D18	EXISTING, RELOCATED	EXIST	EXIST		PT	TYPE 2	EXIST	PT	TYPE 2		
D15A	EXISTING, RELOCATED	EXIST	EXIST		PT	TYPE 2	EXIST	PT	TYPE 2		ADD LOOK TO HARDWARE

DOORS SOLID STEEL, 18 GAUGE PAINT FINISH FRAMES 16 GAUGE STEEL, PAINT FINISH ALL DOOR& FRAMES, TYPE 2 EGGSHELL
2" STEEL FRAMES WITH 3/4" STOPS



FLOORING SPECIFICATIONS
WALL BASE
TYPE: MOUNTAIN
STAIN: MOUNTAIN
COLOR: 82 BLACK PEARL
SHEET: 4

CARPET TILES
N° & LON STREETS COLLECTION
SIZE 24" X 24"

BRONZE STEEL 104218 BLUE GLASS
CARPET TILE 1

CARPET TILE 2
MERCER STEEL 105788 SILVER CIRCLE

CARPET TILE 3
PROVIDE 1/2" EXTRA CARPET TILE FOR

CARPET TILE 4
105655 SILVER SQUARE

V.I. JOHNSONITE, HARLETT,
1664 DARK GREY
12" X 12" 4" THICK
CEILING - 105655 SILVER SQUARE
TRANSITION DOOR BETWEEN CERAMIC TILE
MFG: SCHULER
FINISH: STAINLESS STEEL

ROLLER BLINDS
BLIND MASTER

SYNAROS ARCHITECTURAL PAINTING
STAINLESS STEEL
MANUFACTURE: DULUX, LFMASTER

PAINT P1
COLOR: SHADO ICE
FINISH: EGGSHELL

PAINT P2
COLOR: GREY PEARL
FINISH: EGGSHELL

PAINT P3
COLOR: VICTORIAN PEARL
FINISH: EGGSHELL

PAINT P4
COLOR: STAINING SAPHIRE
FINISH: EGGSHELL

WALL COVERING IN CHILDREN'S AREA
KORSEAL WALLCOVERING
FLOOR TO CEILING
BULLETIN BOARD

SIZE: 4" H, 4" W, 3/4" LONG
FLOOR 0MB GUE 19" WALL WITH
MOUNT 36" F.F.F.

MAZ DESIGNS

TYPE 1
COLOR: PATTERN RATTAN
FINISH: POLYCOM GLOSS

TYPE 2
COLOR: WILSONART SILVER TRAWERNE 189K-65

TYPE 3
COLOR: AMBER MAPLE 7012-58

TYPE 4
COLOR: 2 END PANELS ONLY FOR MISSING UNITS
MELANINE
TYPE 1
COLOR: CLASSIC BLACK 631

SQ. MET. POLY SOLARSTONE
2 1/2" X 12" X 12"
WITH 4" VALANCE MOUNTED INSIDE
DUAL FRAME, SEE PLAN FOR SIZES
CERAMIC TILE SPECIFICATIONS
BY CORNARA MARBLE & TILE

WALL TILE
BANCO LITANO 3" X 12" REMOVE WALL TILE ONLY
GROUT: HERRINGBONE

FLOOR TILE
FLOOR TILE: VERA GORO 6" X 36"

24" X 24" AS SHOWN ON PLAN
GROUT: MARI 19 PEARL GRAY

GRANITE CIRCULATION TOP & CABLES
NEIRO ASSOLUTO 1.25" THICK
TRANSPARATION DOOR BETWEEN CERAMIC TILE
MFG: SCHULER
FINISH: STAINLESS STEEL

CONSTRUCTION
STANDARD

AMAC PREMIUM GRADE MILL STANDARD LATEST EDITION

CONSTRUCTION
A) DRAWERS SIDES, BACKS, AND BOTTOMS TO BE 1/2" ROTARY CUT BIRCH

B) ALL EXTERIOR SURFACES (INCLUDING TOPS, CABLES, BOTH SIDES OF DRAWER

AND DOOR FRONTS TO HAVE 3M PVC EDGING FOR MELANINE MATERIAL

C) ALL NOTED PARTS TO BE FINISHED WITH MILLWORK TO BE CONCEALED FROM VIEW

D) ALL UNITS TO BE FINELY SPOURED WITH PARTITIONS.

E) ALL CONSTRUCTION TO BE 3/4" PLYWOOD OR PARTICLE BOARD AS SPECIFIED.

F) CLEAR CAULK AT ALL EDGES AS REQUIRED

G) SHOP DRAWINGS TO BE DONE AND SENT TO DESIGNER FOR APPROVAL PRIOR TO CONSTRUCTION.

H) SHOP DRAWINGS TO BE FINISHED UPON REQUEST FOR EACH OF SHOP DRAWINGS.

MILKWORK HARDWARE
HETTICH #4512 FULL EXTENSION 45 KG
HEAVY DUTY FULL EXTENSION 45 KG

GROMMET HAFTEL 428194212 (58MM) BLACK, ZINC DIE CAST
HINKES HETICK 170 DEGREES

STAINLESS STEEL HANDLE HAFTEL MODEL: 117.05.630

CLIPS FOR CABLE ENDS
MFG: HAFTEL
WTS: HAFTEL 1324

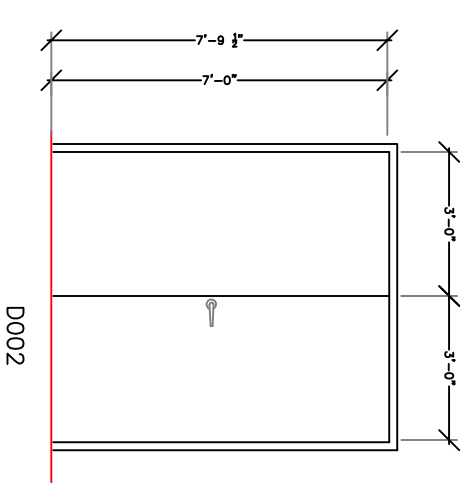
LOOKS FOR TOP DRAWER OF FREESTALS
MFG: HAFTEL
MODEL: 235.89.600

MILKWORK HARDWARE FOR BATHROOMS
MFG: HAFTEL
MODEL: 843.55.022

COLOR: STAINLESS STEEL
MFG: HAFTEL
MODEL: 167.070

CONCEALED BRACKET
MFG: RICHIELE
MODEL: 4091880

VERTICAL CABLE GUIDE
MFG: RICHIELE
MODEL: 167.070
COLOR: SATIN ALUMINUM



HARDWARE SCHEDULE

HARDWARE SPECIFICATIONS PROVIDED BY CIPT ARMSTRONG, ALLMAR
204-654-6444

REPLACE LOCKSET ONLY ON DOORS D04, D05, D18 TO LEVELS
CONTRAL ALL DETAILS ON SITE

MANUFACTURERS

CIPT ARMSTRONG
ALLMAR
LON LOCKAGE
SECURITRON
VON DUPPIN
FINISHES
SATIN CHROMIUM PLATED OVER NICKEL
652 - SATIN CHROMIUM PLATED OVER NICKEL
C28D - SATIN CHROMIUM PLATED OVER NICKEL

HEADING #2

1 ELEVATION 005727H, 36"W X 1 3/4"H - HW DR X HW FR
1 LOCKSET N053RD RHO 626 43-005 626 - 2" BACKSET
BALANCE OF HARDWARE EXISTING, CONTRAL 5" BACKSET
REWORKMENT, MOUNT FOR DOUBLE DOORS FOR ROCK CLOSET

DRAWN BY

PRINTING DATE

DRAWINGS & SPECIFICATIONS, AS INSTRUMENTS OF SERVICES
ARE THE PROPERTY OF SYNERGY INTERIOR DESIGN INC.. THE
COPYRIGHT IN THE SAME BEING RESERVED TO THEM. NO
REPRODUCTION MAY BE MADE WITHOUT THE PERMISSION OF
SYNERGY INTERIOR DESIGN INC.
ALL PRINTS TO BE RETURNED.
THE CONTRACTOR IS TO VERIFY DIMENSIONS & DATA NOTED
HEREIN WITH CONDITIONS THE SITE & IS HELD RESPONSIBLE
FOR REPORTING ANY DISCREPANCY TO THE DESIGNER FOR
ADJUSTMENT.



1.D.

SYNERGY INTERIOR DESIGN INC

13 Roseworthy, Avenue WINNIPEG, MB Canada R2M 0Y6

204 233 9159

mdi@synergyinteriors.com

www.synergyinteriors.com

DATE MARCH 2020 SCALE AS NOTED REVISIONS

DRAWN BY M.G. CHECKED BY M.G.

MUNROE BRANCH LIBRARY

489 LONDON STREET, WINNIPEG

SHEET

ROOM & DOOR SCHEDULE, MATERIAL LIS

HARDWARE SCHEDULE, MILLWORK NOTE

CONCRETE DETAIL

AUTOCAD NUMBER

DWG. ID-8R1