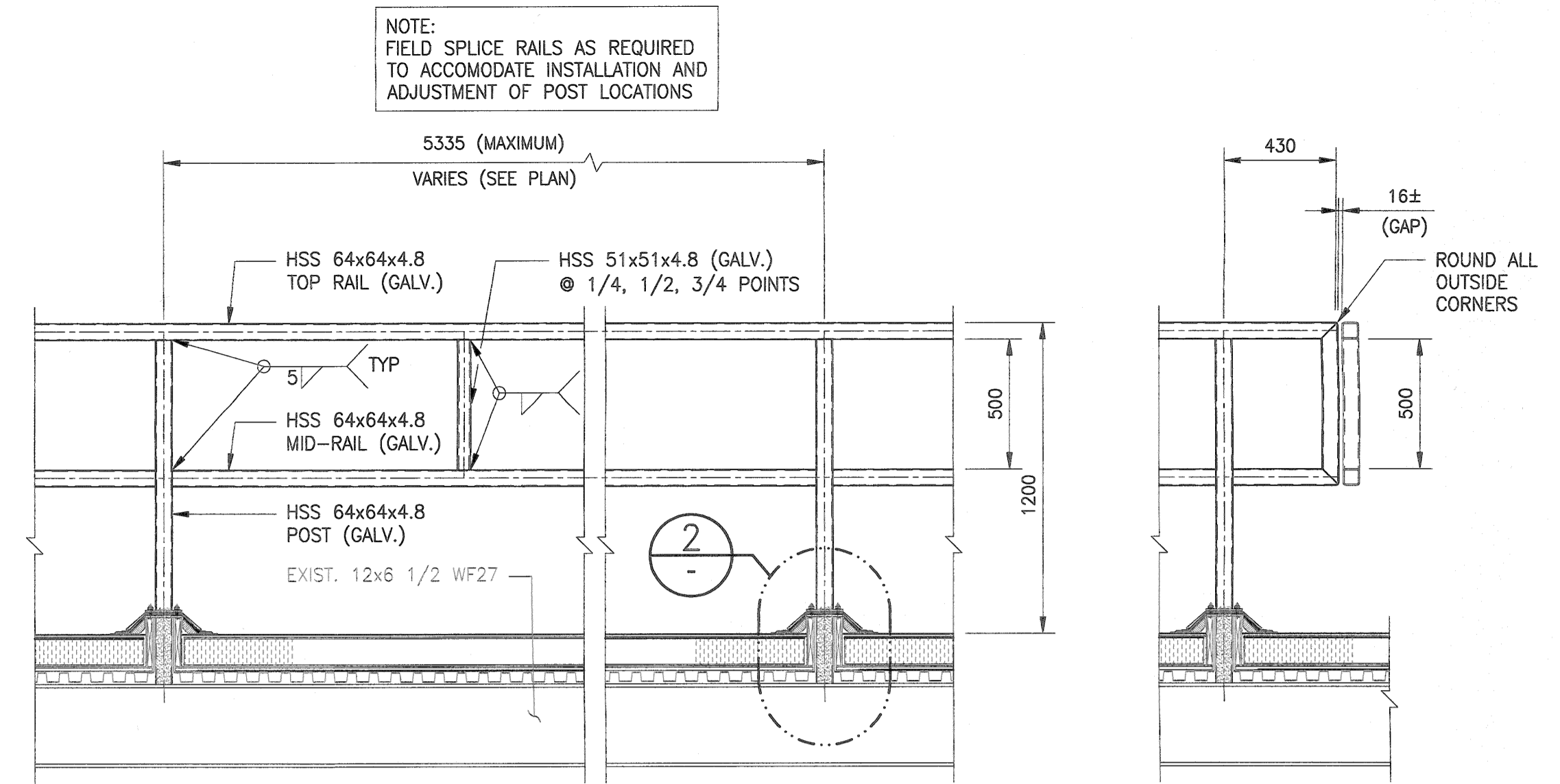
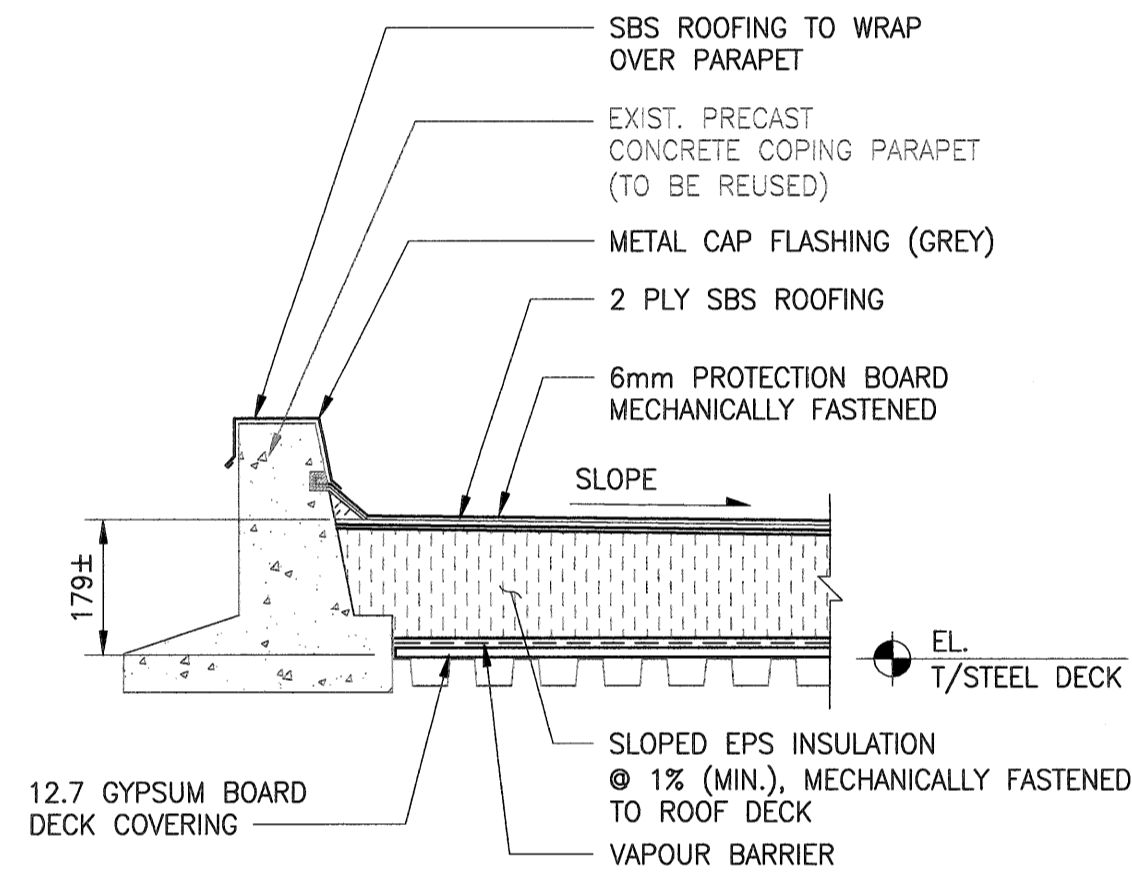


PLAN - PART ROOF LEVEL
SCALE: 1:100

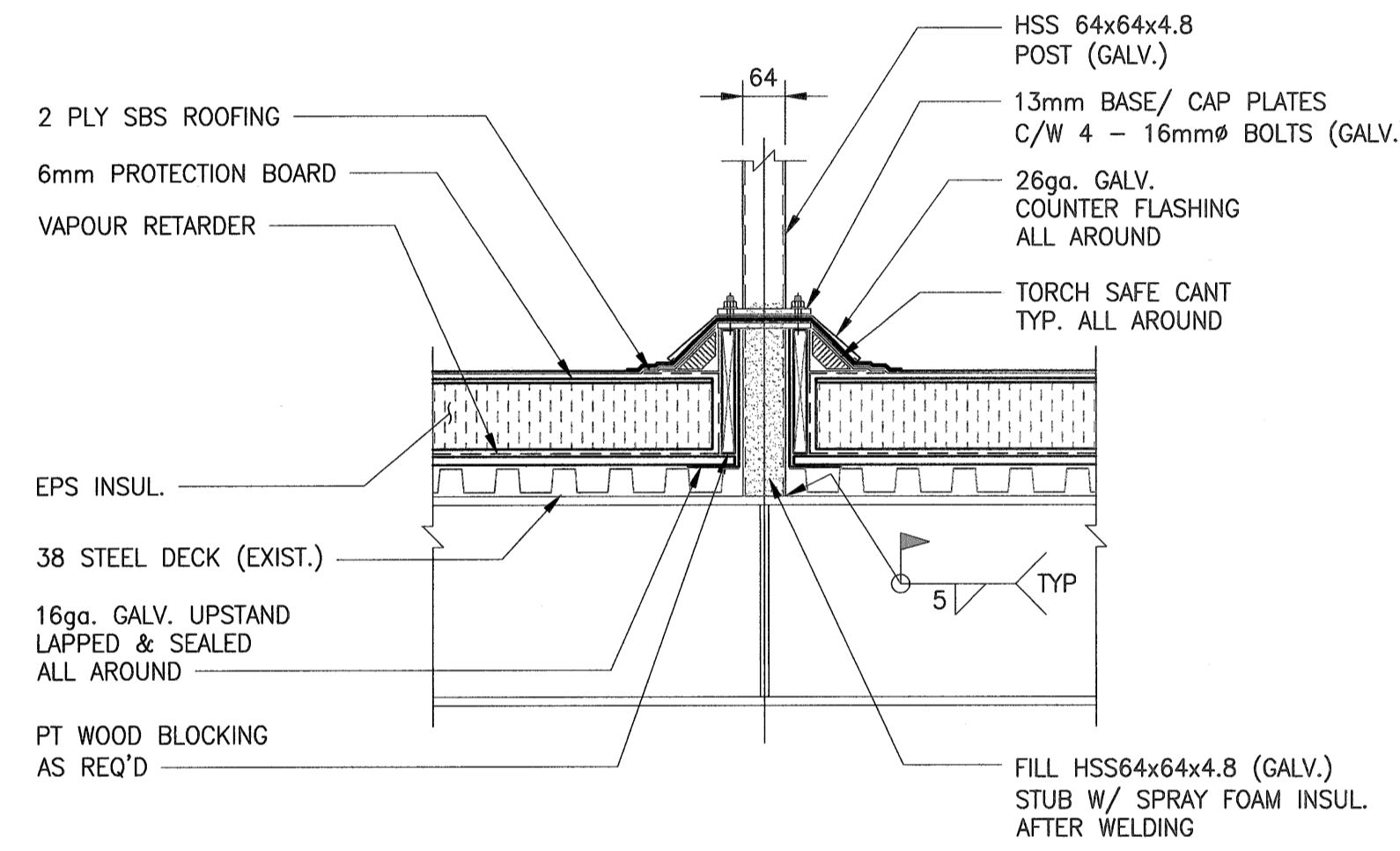


SECTION A-A - HANDRAIL
SCALE: 1:20

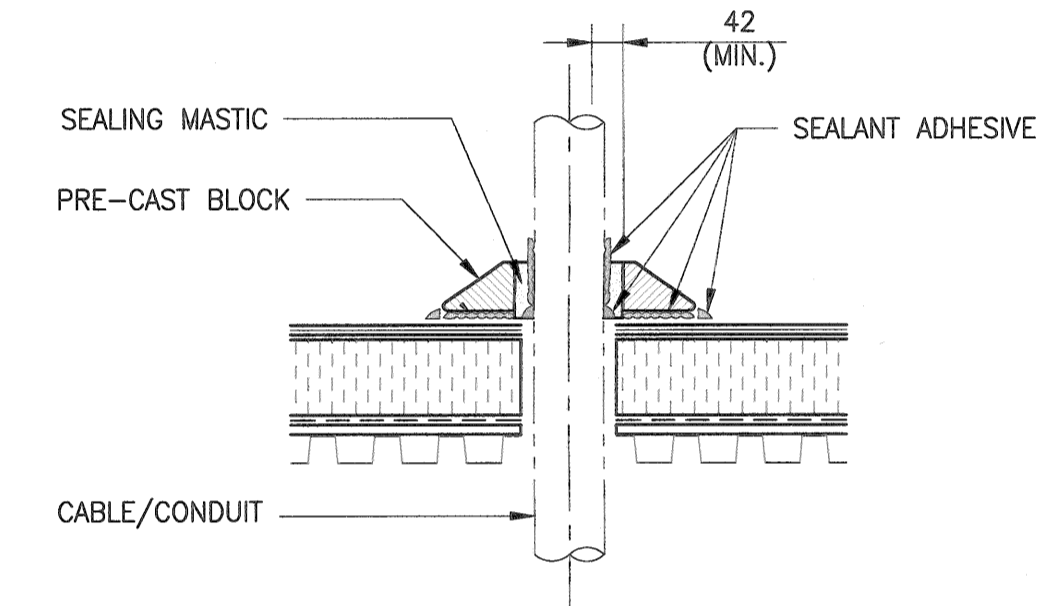
SECTION B-B - HANDRAIL
SCALE: 1:20



C SECTION
1-0650M-S0003 SCALE: 1:10

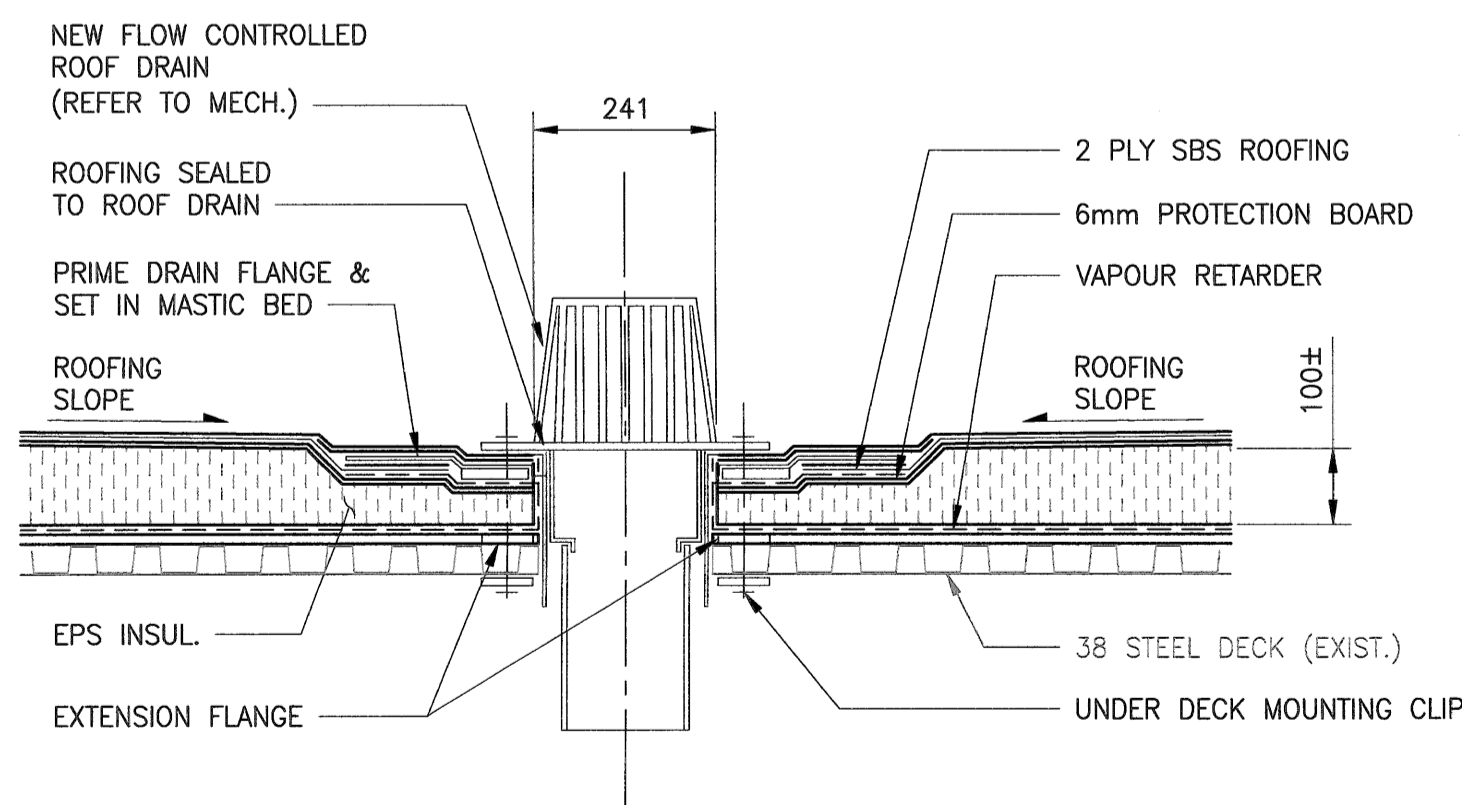


2 DETAIL - HANDRAIL POST BASE
SCALE: 1:10

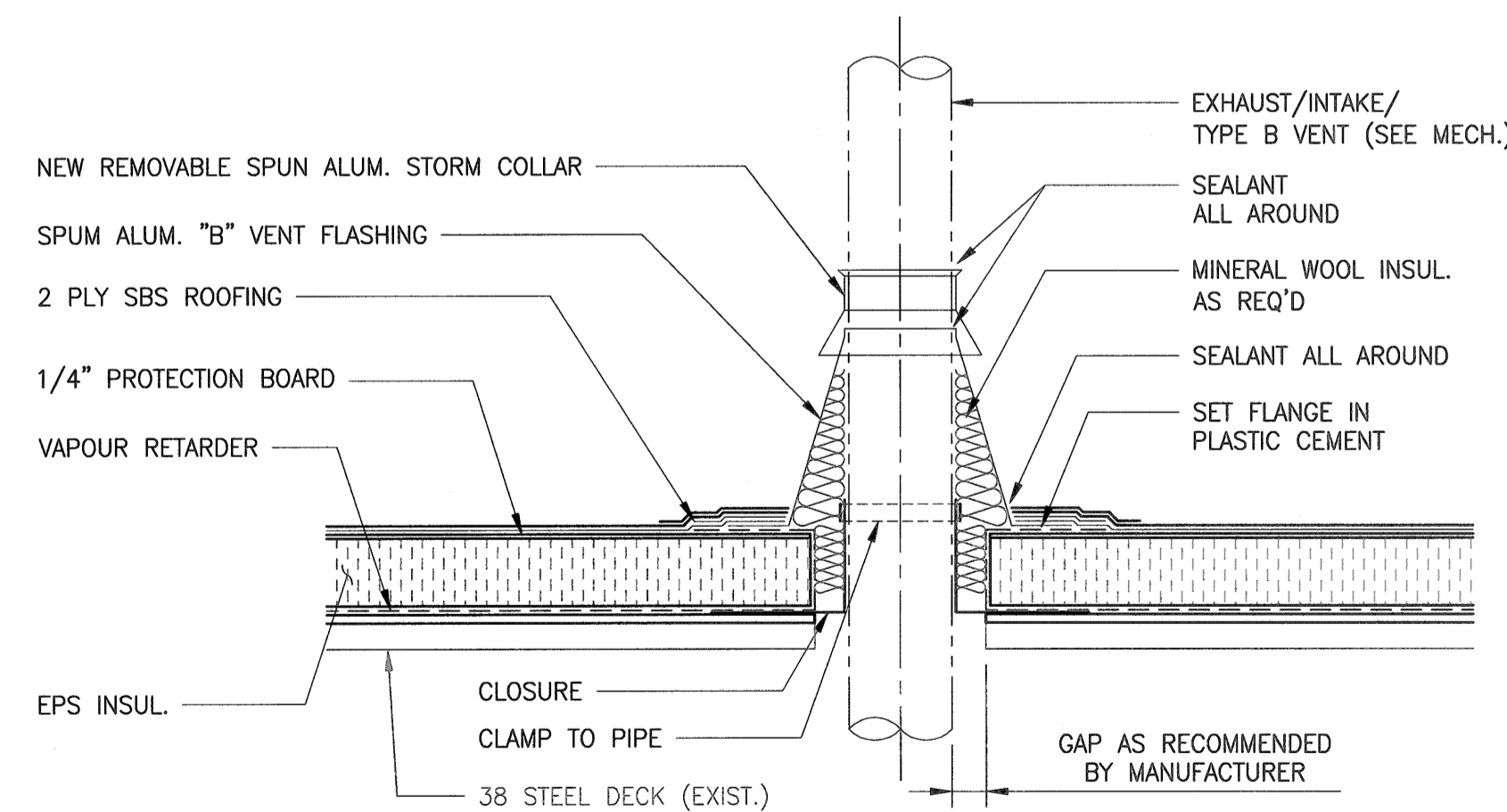


3 DETAIL - PITCH POCKET (TYP.)
SCALE: 1:10

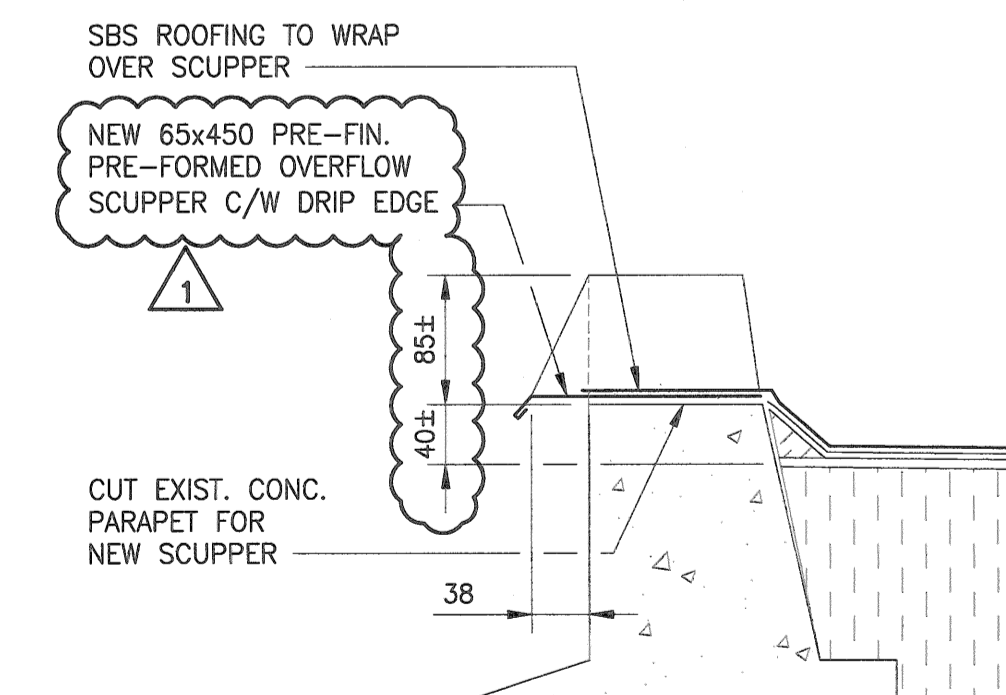
- NOTE:**
- PITCH POCKET DETAIL IS APPLICABLE FOR ALL TYPE OF CABLE AND CABLE RUNS PENETRATIONS.
 - FOR AHUS, KEEP SAME HOLE OPENING IN THE ROOF BUT PROVIDE NEW PENETRATION AS PER PITCH POCKET DETAIL.
 - SEALANT AND ADHESIVE MUST EXCEED 25mm OVER PRE-CAST BLOCK.
 - THE DISTANCE BETWEEN THE BLOCK INNER WALL AND PENETRATIONS MUST HAVE AT LEAST 25mm.
 - MAINTAIN SAME DETAILS THAT CURRENTLY EXIST UNLESS NOTED OTHERWISE.



D SECTION - ROOF DRAIN
1-0650M-S0003 SCALE: 1:10



4 DETAIL - EXHAUST STACK PENETRATION (TYP.)
SCALE: 1:10



E SECTION - SCUPPER OVERFLOW (TYP.)
1-0650M-S0003 SCALE: 1:5

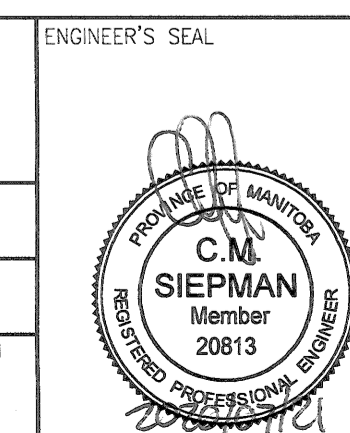
- LEGEND:**
- SBS - STYRENE BUTADIENE STYRENE (OR MODIFIED BITUMEN)
 - EPS - EXPANDED POLYSTYRENE

METRIC
WHOLE NUMBERS INDICATE MILLIMETRES
DECIMALIZED NUMBERS INDICATE METRES

10		
9		
8		
7		
6		
5		
4		
3		
2	1-0650A-D0001-001	COVER SHEET
1	1-0650M-S0003-001	STRUCTURAL - ROOFING - PLAN AND DETAILS
NO.	DRAWING NUMBER	REFERENCE DRAWING TITLE
REFERENCE DRAWINGS		



B.M. -			
ELEV. -			
KGS GROUP			
DESIGNED BY:	L. MILIUS-ALPHONSE	CHECKED BY:	C. SIEPMAN
DRAWN BY:	F. VALENCIA	APPROVED BY:	C. SIEPMAN
SCALE:	AS NOTED	ISSUED FOR CONSTRUCTION	
DATE:	2019/04/30	BY:	
DATE:		DATE:	
CONSULTANT NO.: 19-0107-005_S04			
NO. REVISIONS	DATE	DESIGN	CHECK
1	2020/07/21	LMA	CMS
0	2020/06/18	LMA	CMS



THE CITY OF WINNIPEG WATER AND WASTE DEPARTMENT	
HURST PUMPING STATION STRUCTURAL REPAIRS AND DRAINAGE BUILDING UPGRADES STRUCTURAL PUMP STATION ROOFING SECTION AND DETAILS	
CITY DRAWING NUMBER	SHEET REV. SIZE
1-0650M-S0004	001 1 A1