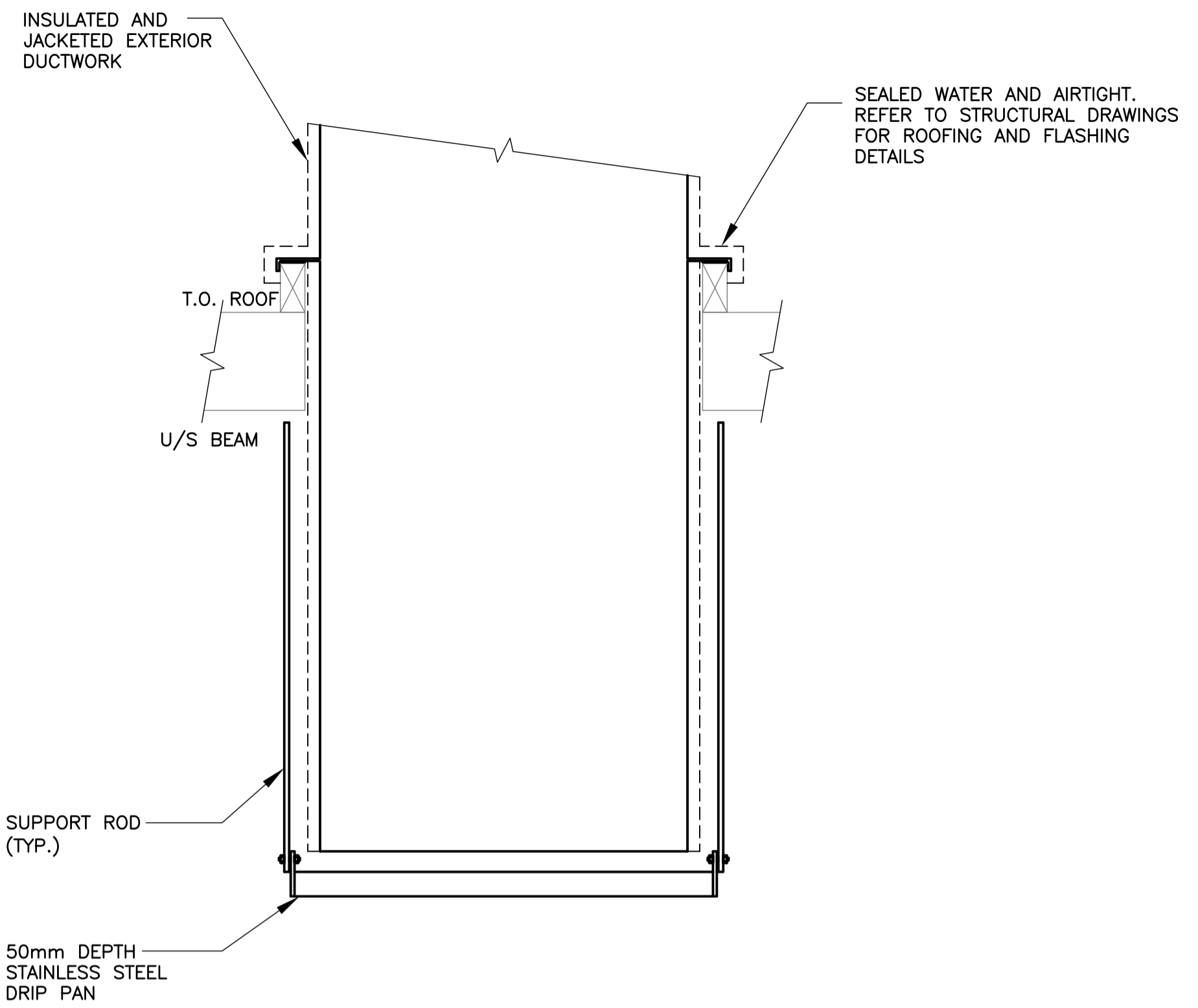
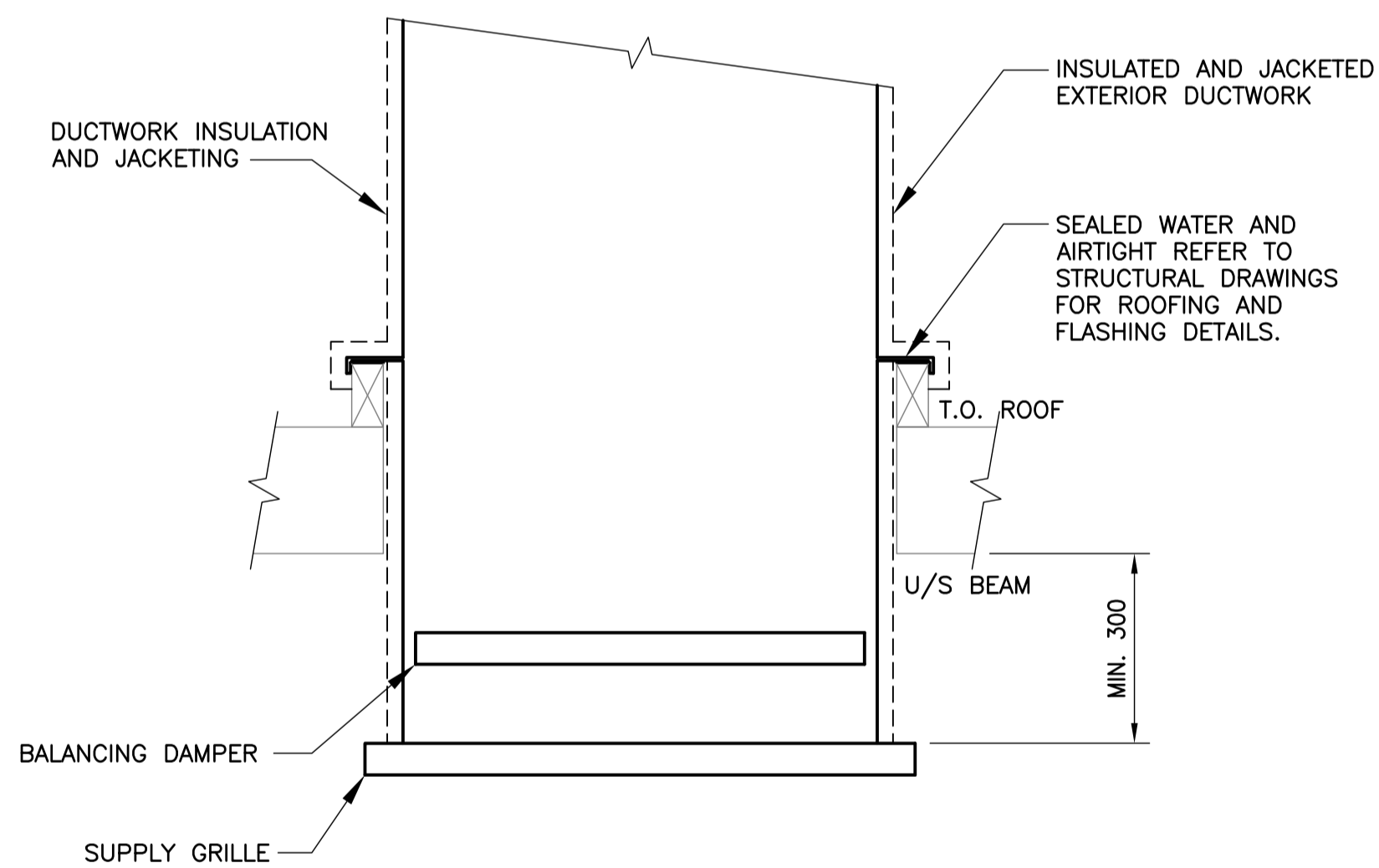


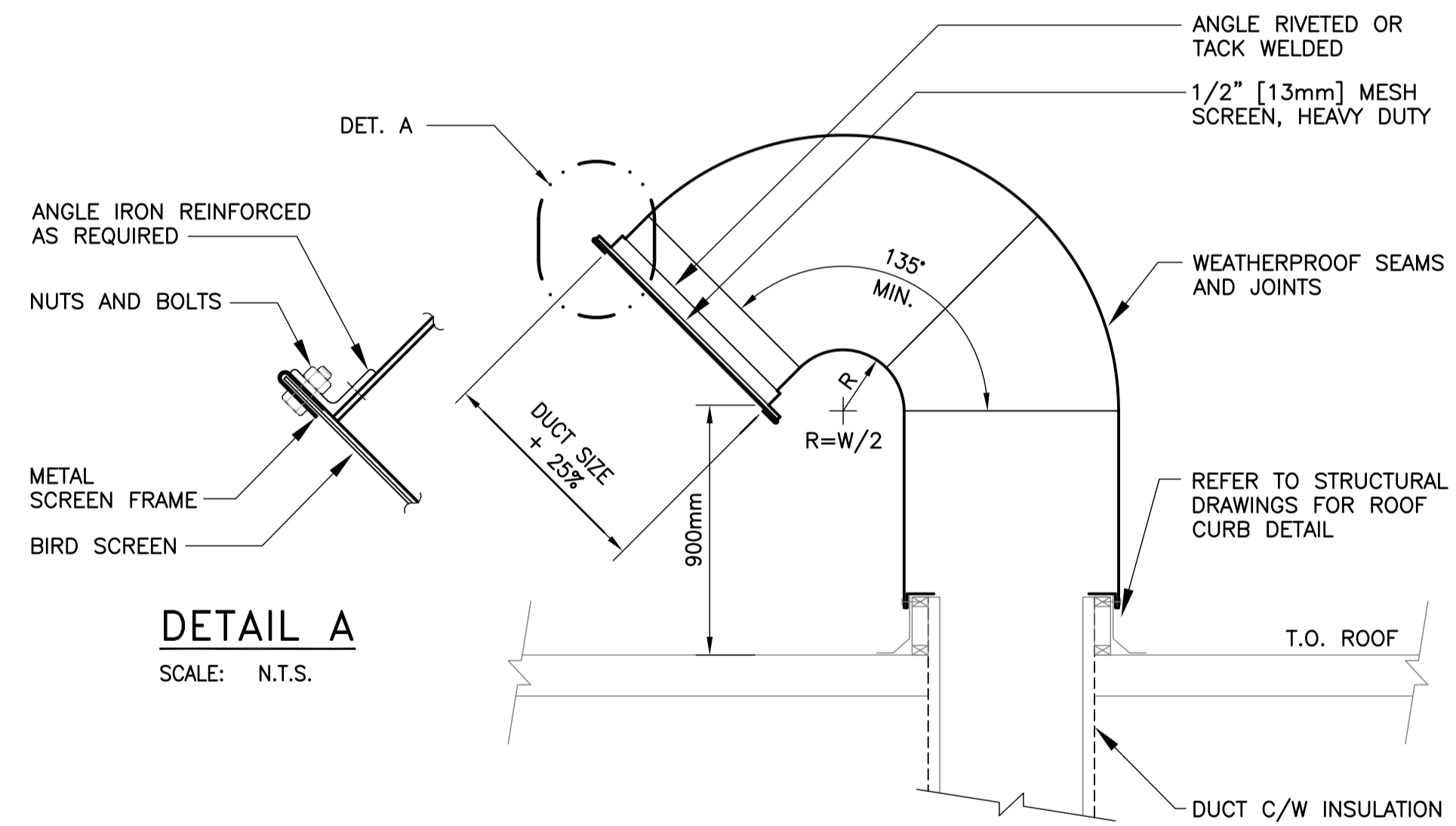
**1** DETAIL - DUCTWORK SUPPORT  
0650M-M0005 SCALE: N.T.S.



**2** DETAIL - RETURN DUCTWORK CONNECTION  
0650M-M0005 SCALE: N.T.S.



**3** DETAIL - SUPPLY DUCTWORK CONNECTION  
0650M-M0005 SCALE: N.T.S.



**DETAIL A**  
SCALE: N.T.S.

**4** DETAIL - GOOSENECK HOOD  
0650M-M0005 SCALE: N.T.S.

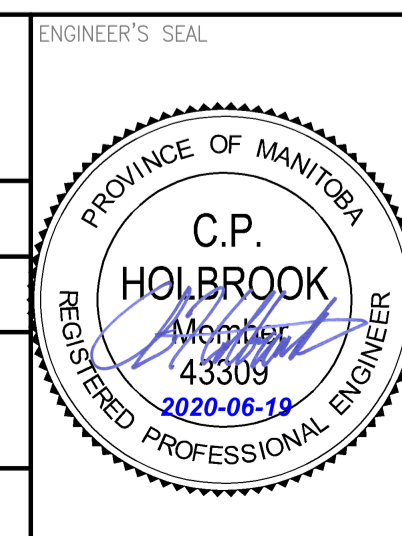
|                    |                   |  |
|--------------------|-------------------|--|
| 10                 | -                 | -  |
| 9                  | -                 | -  |
| 8                  | -                 | -  |
| 7                  | -                 | -  |
| 6                  | -                 | -  |
| 5                  | 1-0650M-M0005-001 | MECHANICAL - PUMP STATION ROOF - HVAC PLAN - NEW     |
| 4                  | 1-0650M-M0001-001 | MECHANICAL - PUMP STATION PUMP FLOOR - PLUMBING PLAN |
| 3                  | 1-0650M-S0003-001 | STRUCTURAL - ROOFING - PLAN AND DETAILS              |
| 2                  | 1-0650M-S0002-001 | STRUCTURAL - ROOFING - DEMOLITION                    |
| 1                  | 1-0650A-D0001-001 | COVER SHEET  |
| NO.                | DRAWING NUMBER    | REFERENCE DRAWING TITLE                              |
| REFERENCE DRAWINGS |                   |  |



|                         |                 |
|-------------------------|-----------------|
| B.M.                    | -               |
| ELEV.                   | -               |
| DESIGNED BY:            | C. HOLBROOK     |
| CHECKED BY:             | R. CHEN         |
| DRAWN BY:               | J.F. SESE       |
| APPROVED BY:            | C. HOLBROOK     |
| SCALE:                  | AS NOTED        |
| ISSUED FOR CONSTRUCTION | BY:             |
| DATE:                   | 2020-06-18      |
| DATE:                   |                 |
| CONSULTANT NO.:         | 19-0107-005_M20 |
| NO.                     | REVISIONS       |
| DATE                    | DESIGN CHECK    |

**KGS GROUP**

DESIGNED BY: C. HOLBROOK  
CHECKED BY: R. CHEN  
DRAWN BY: J.F. SESE  
APPROVED BY: C. HOLBROOK  
SCALE: AS NOTED  
ISSUED FOR CONSTRUCTION  
DATE: 2020-06-18  
CONSULTANT NO.: 19-0107-005\_M20



**THE CITY OF WINNIPEG**  
WATER AND WASTE DEPARTMENT

**HURST PUMPING STATION**  
STRUCTURAL REPAIRS AND DRAINAGE BUILDING UPGRADES  
MECHANICAL  
PUMP STATION  
DETAILS (1 OF 2)

CITY DRAWING NUMBER: 1-0650M-M0006  
SHEET: 001  
REV: 0  
SIZE: A1