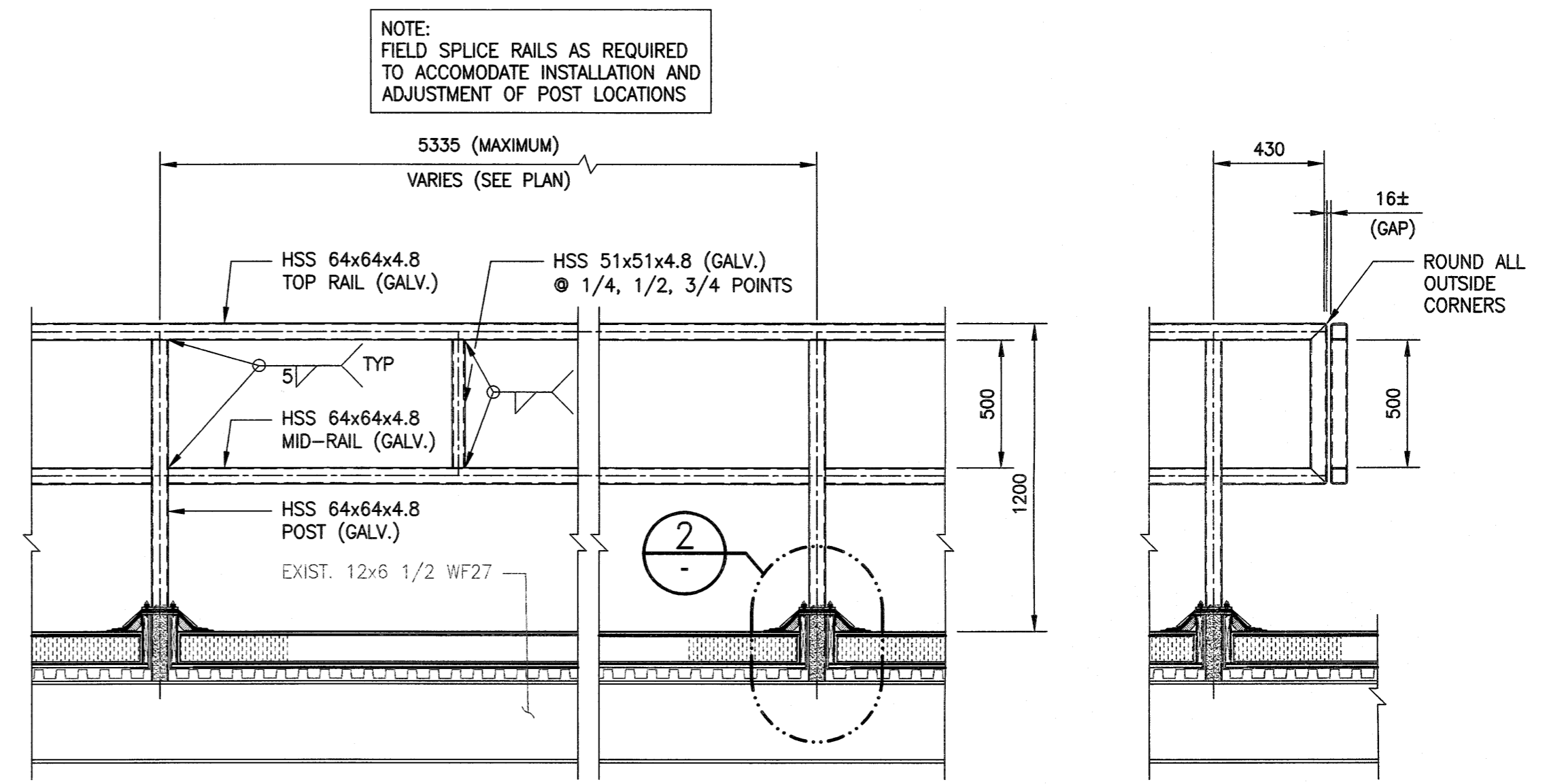
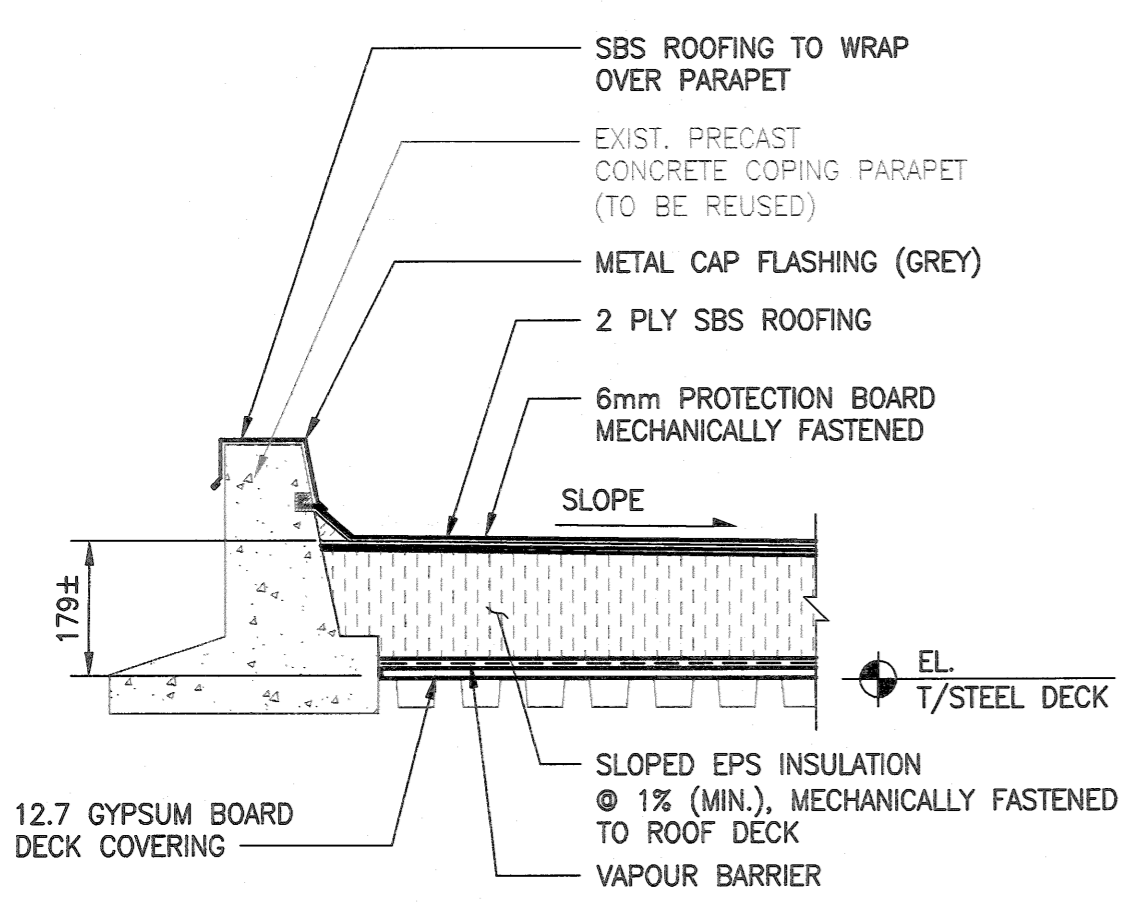


PLAN - PART ROOF LEVEL  
SCALE: 1:100

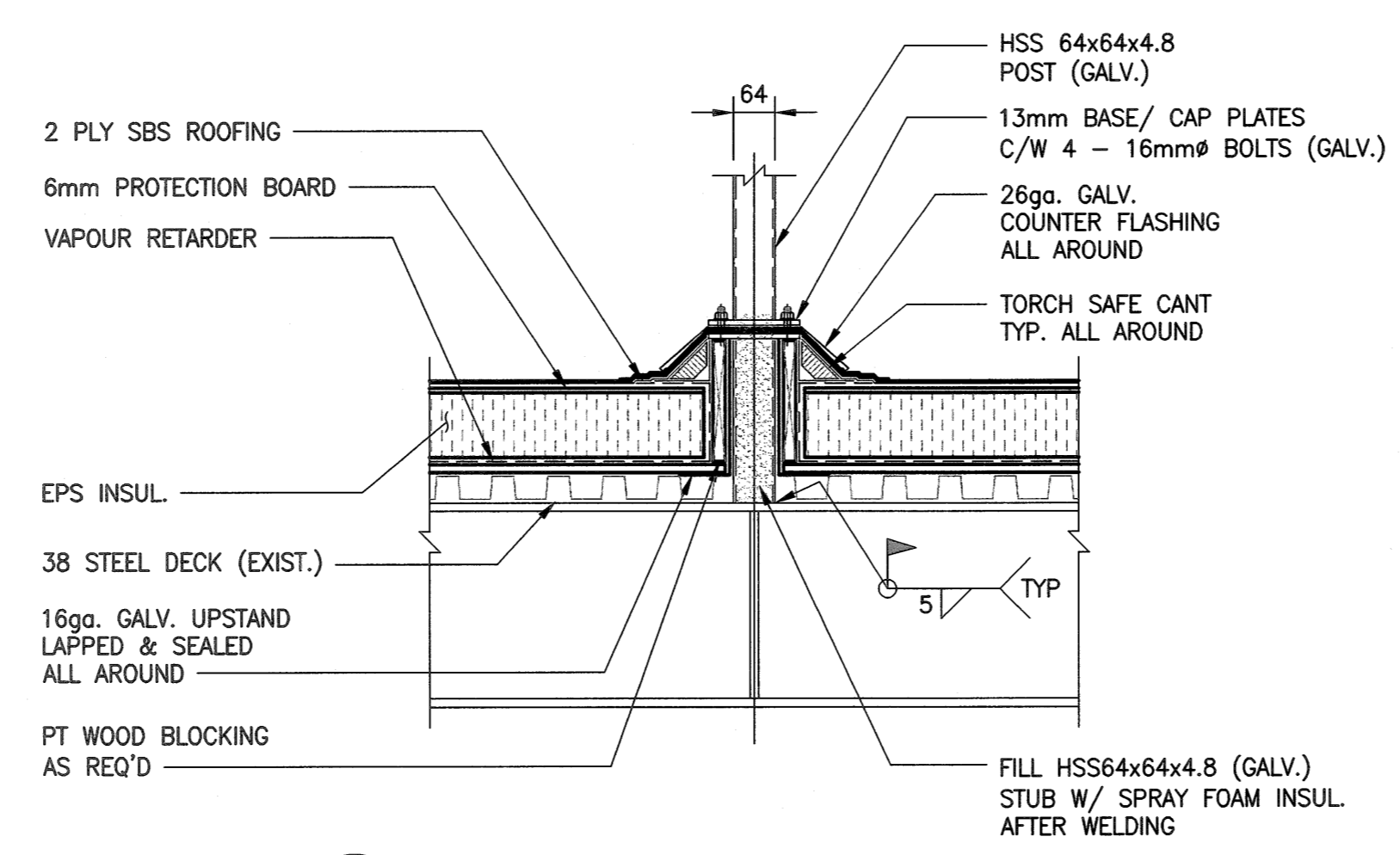


SECTION A-A - HANDRAIL  
SCALE: 1:20

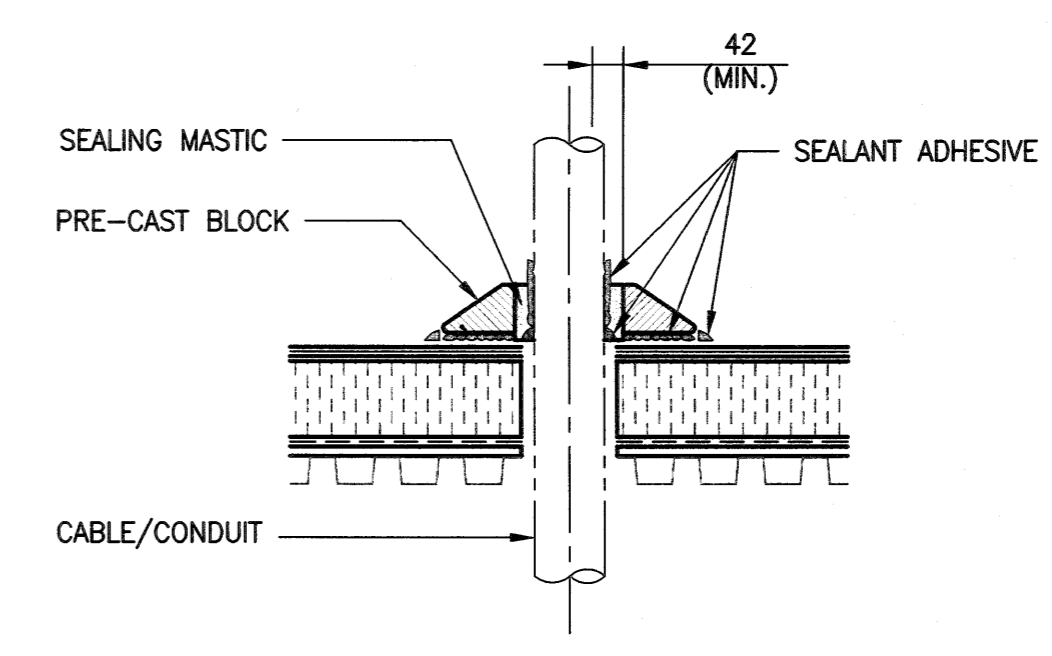
SECTION B-B - HANDRAIL  
SCALE: 1:20



SECTION C  
1-0650M-S0003 SCALE: 1:10

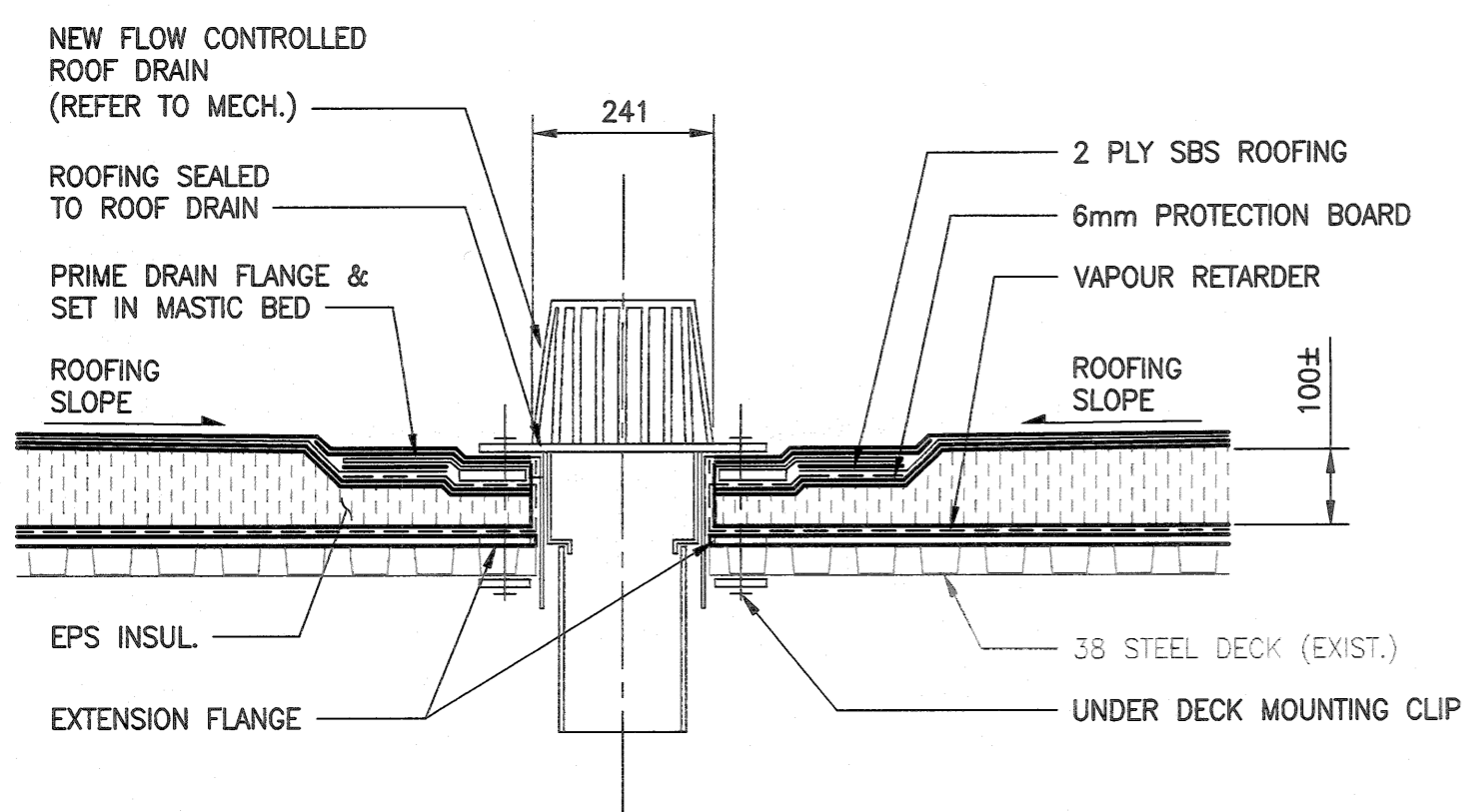


DETAIL 2 - HANDRAIL POST BASE  
SCALE: 1:10

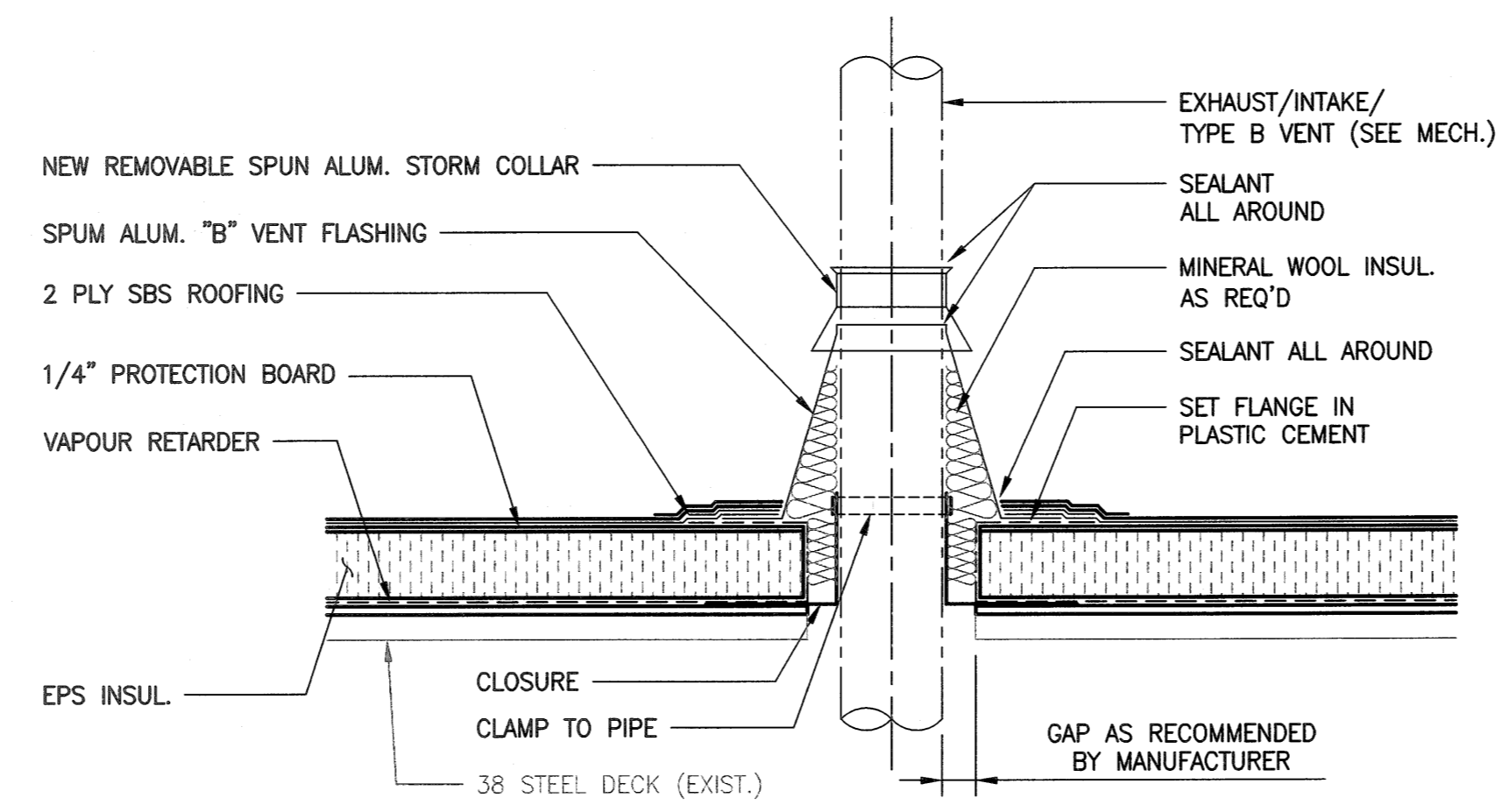


DETAIL 3 - PITCH POCKET (TYP.)  
SCALE: 1:10

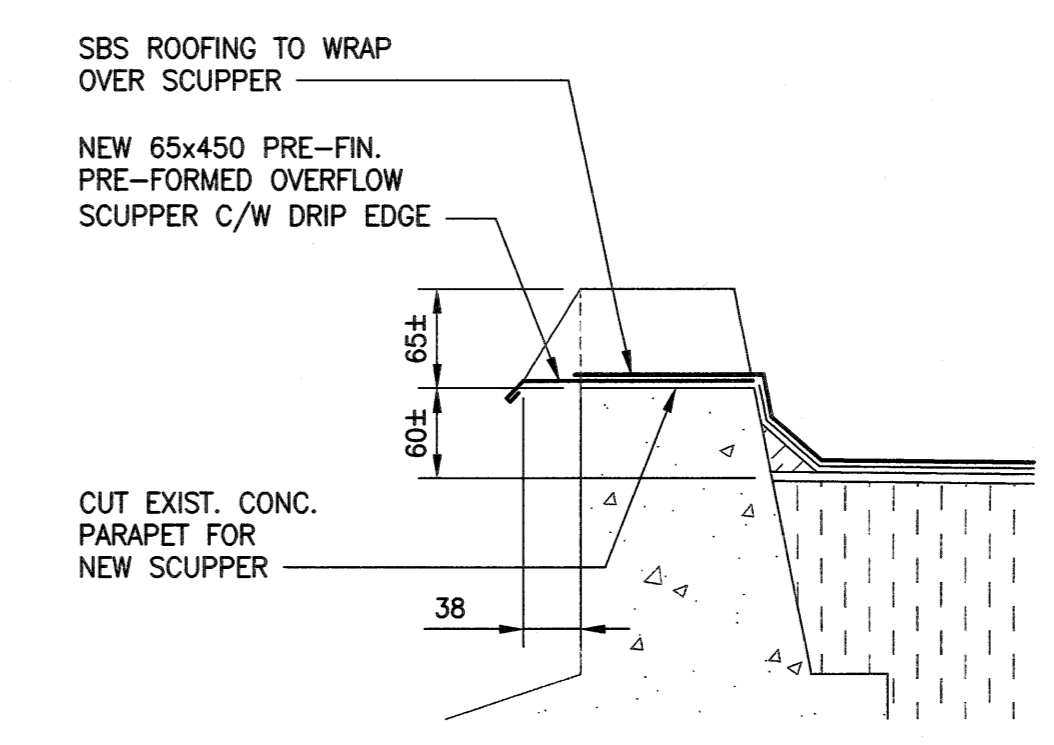
- NOTE:**
- PITCH POCKET DETAIL IS APPLICABLE FOR ALL TYPE OF CABLE AND CABLE RUNS PENETRATIONS.
  - FOR AHUS, KEEP SAME HOLE OPENING IN THE ROOF BUT PROVIDE NEW PENETRATION AS PER PITCH POCKET DETAIL.
  - SEALANT AND ADHESIVE MUST EXCEED 25mm OVER PRE-CAST BLOCK.
  - THE DISTANCE BETWEEN THE BLOCK INNER WALL AND PENETRATIONS MUST HAVE AT LEAST 25mm.
  - MAINTAIN SAME DETAILS THAT CURRENTLY EXIST UNLESS NOTED OTHERWISE.



SECTION D - ROOF DRAIN  
1-0650M-S0003 SCALE: 1:10



DETAIL 4 - EXHAUST STACK PENETRATION (TYP.)  
SCALE: 1:10

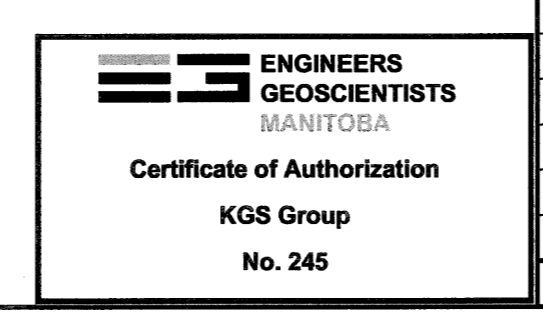


SECTION E - SCUPPER OVERFLOW (TYP.)  
1-0650M-S0003 SCALE: 1:5

- LEGEND:**
- SBS - STYRENE BUTADIENE STYRENE (OR MODIFIED BITUMEN)
  - EPS - EXPANDED POLYSTYRENE

**METRIC**  
WHOLE NUMBERS INDICATE MILLIMETRES  
DECIMALIZED NUMBERS INDICATE METRES

10	
9	
8	
7	
6	
5	
4	
3	
2	1-0650A-D0001-001 COVER SHEET
1	1-0650M-S0003-001 STRUCTURAL - ROOFING - PLAN AND DETAILS
NO.	DRAWING NUMBER
	REFERENCE DRAWING TITLE
REFERENCE DRAWINGS	



B.M.	-
ELEV.	-
DESIGNED BY:	L. MILIUS-ALPHONSE
CHECKED BY:	C. SIEPMAN
DRAWN BY:	F. VALENCIA
APPROVED BY:	C. SIEPMAN
SCALE:	AS NOTED
ISSUED FOR CONSTRUCTION	2020/06/18
DATE:	2019/04/30
CONSULTANT NO.:	19-0107-005_S04

**KGS GROUP**

ENGINEER'S SEAL

C.M. SIEPMAN  
Member  
20813

**THE CITY OF WINNIPEG**  
WATER AND WASTE DEPARTMENT

**HURST PUMPING STATION**  
STRUCTURAL REPAIRS AND DRAINAGE BUILDING UPGRADES  
PUMP STATION ROOFING  
SECTION AND DETAILS

CITY DRAWING NUMBER: 1-0650M-S0004  
SHEET: 001  
REV: 0  
SIZE: A1