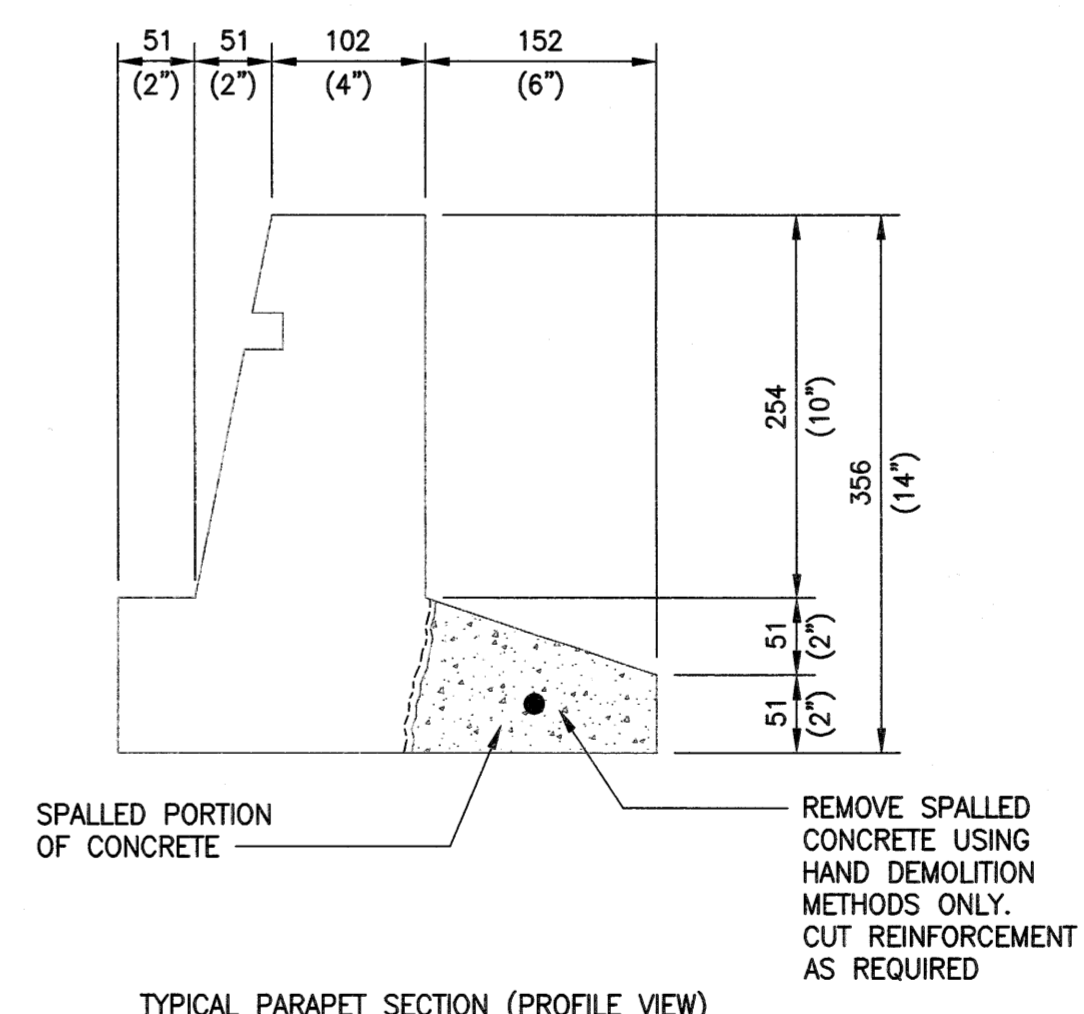
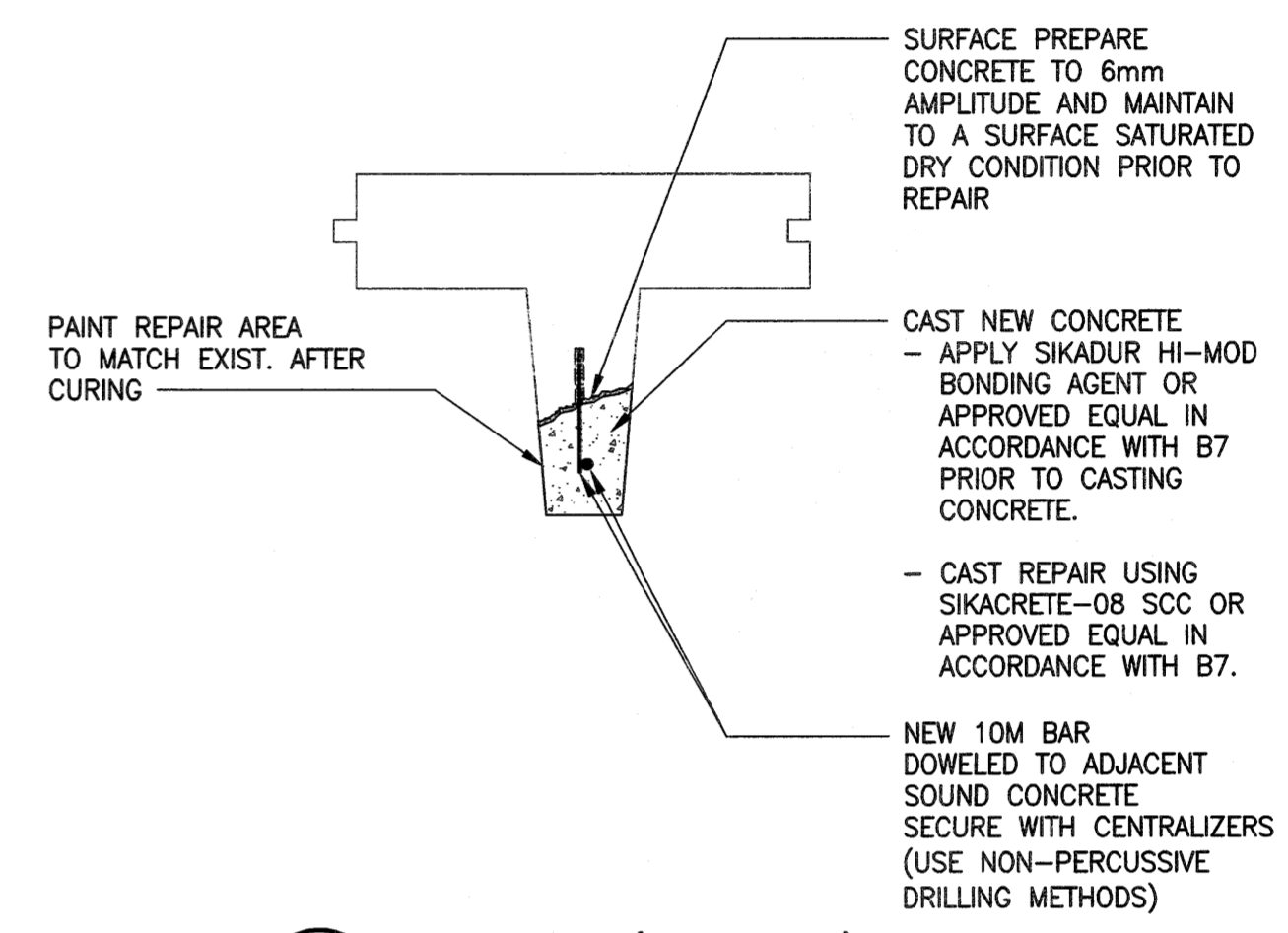
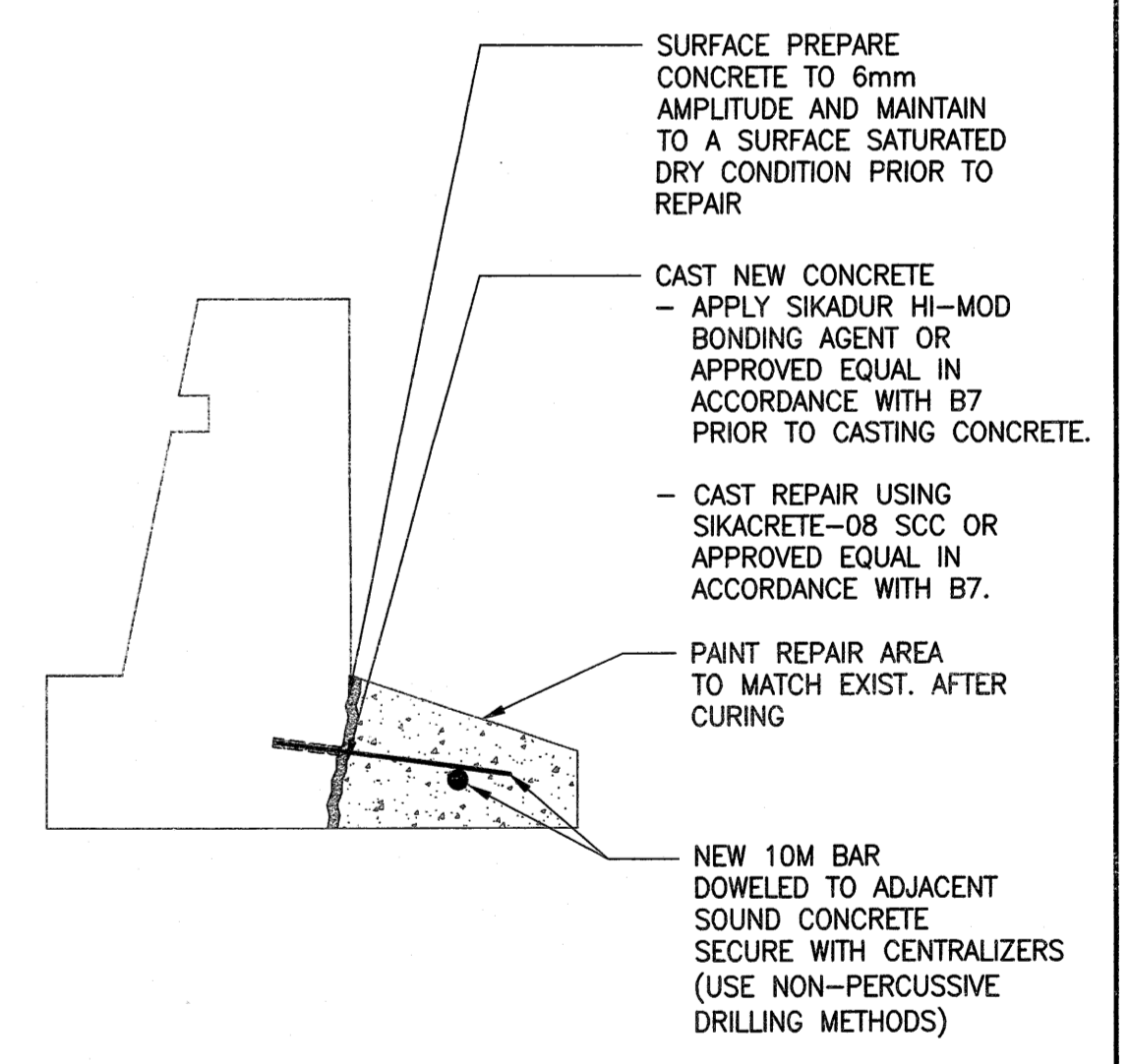


1 **DETAIL (DEMOLITION)**
SCALE: 1:5



2 **DETAIL (DEMOLITION)**
SCALE: 1:5

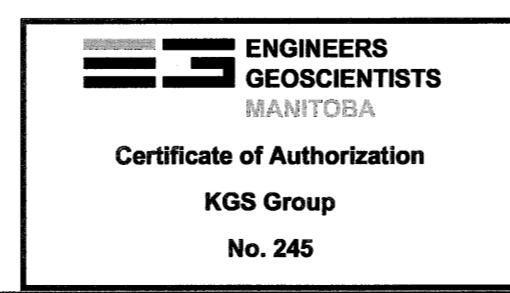


APPROX. SCHEDULE OF REPAIR QUANTITIES IN LINEAR METRES:

	DETAIL 1 (WALL CLADDING)	DETAIL 2 (PARAPET/COPING)
EAST ELEVATION	0.3m	1m
WEST ELEVATION	4m	7m

METRIC
WHOLE NUMBERS INDICATE MILLIMETRES
DECIMALIZED NUMBERS INDICATE METRES

10		
9		
8		
7		
6		
5		
4		
3		
2	1-0650A-D0001-001	COVER SHEET
1	1-0650M-S0009-001	STRUCTURAL - EXTERIOR CLADDING REPAIRS-SECTIONS
NO.	DRAWING NUMBER	REFERENCE DRAWING TITLE
REFERENCE DRAWINGS		



B.M. -	
ELEV. -	
DESIGNED BY:	L. MILIUS-ALPHONSE
CHECKED BY:	C. SIEPMAN
DRAWN BY:	F. VALENCIA
APPROVED BY:	C. SIEPMAN
SCALE:	AS NOTED
ISSUED FOR CONSTRUCTION BY:	
DATE:	2019/04/30
DATE:	
ISSUED FOR CONSTRUCTION	2020/06/18
NO. REVISIONS	DATE
	DESIGN/CHECK

KGS GROUP

CONSULTANT NO.: 19-0107-005_S10



THE CITY OF WINNIPEG
WATER AND WASTE DEPARTMENT

HURST PUMPING STATION
STRUCTURAL REPAIRS AND DRAINAGE BUILDING UPGRADES
STRUCTURAL
PUMP STATION EXTERIOR CLADDING REPAIRS
SECTIONS AND DETAILS

CITY DRAWING NUMBER: 1-0650M-S0010
SHEET: 001
REV: 0
SIZE: A1