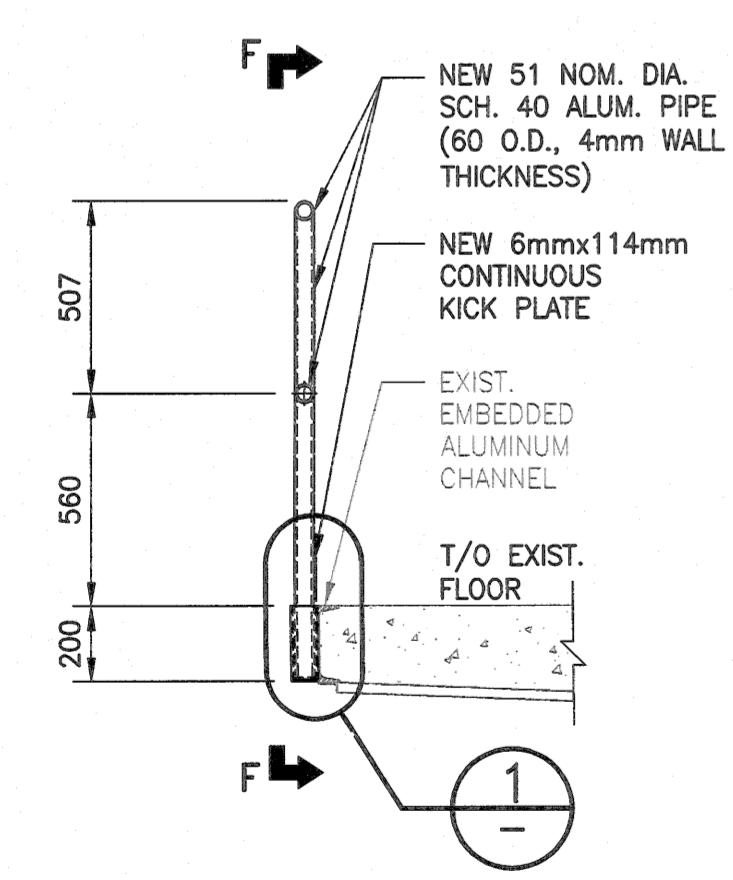
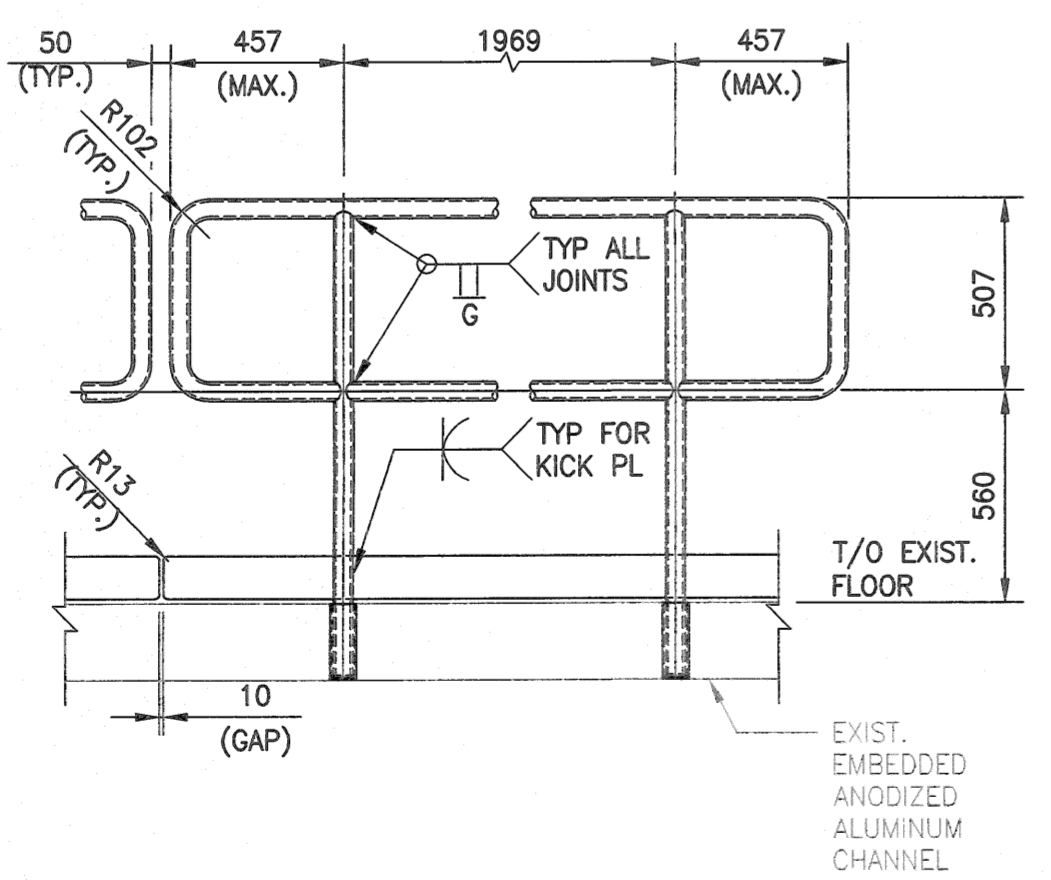


**PLAN - HANDRAIL (NEW)**  
SCALE: 1:100

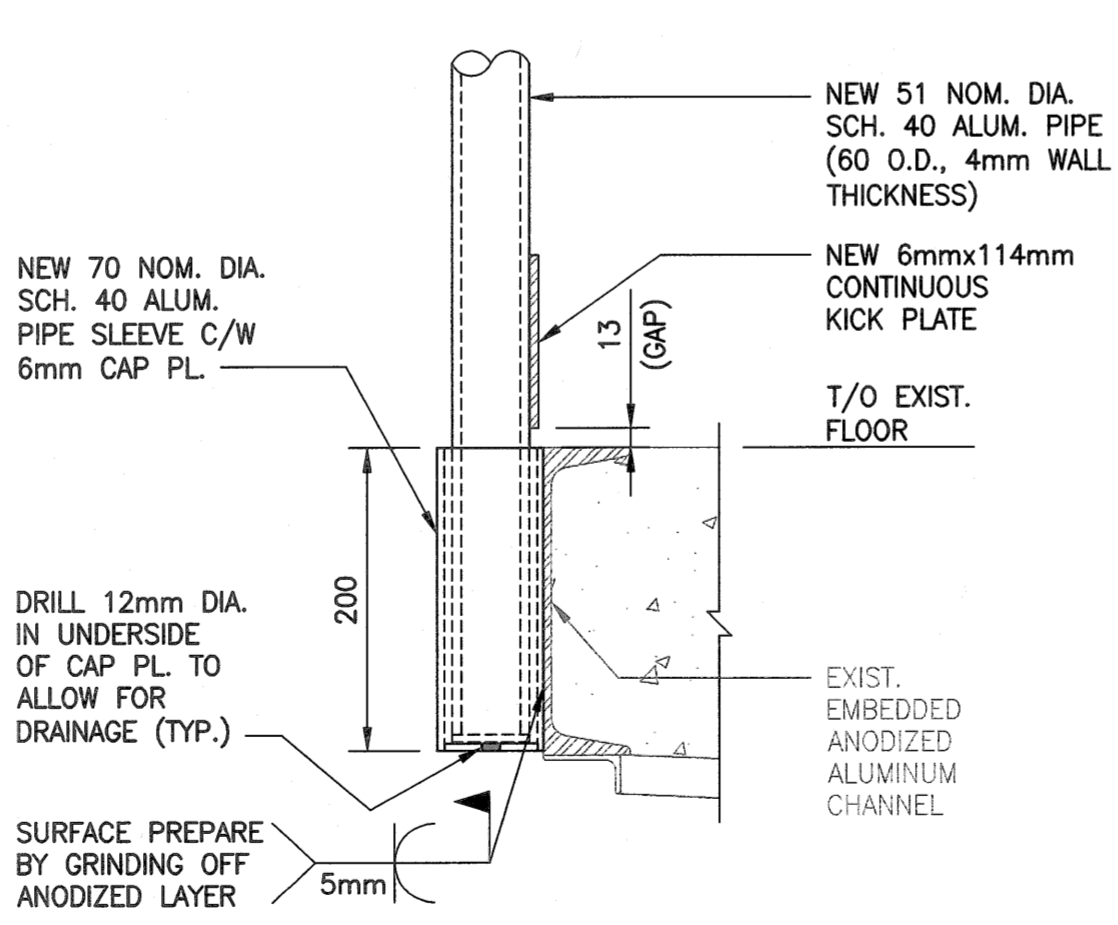
- NOTES:**
- CONTRACTOR TO PROVIDE A DETAILED SURVEY OF EXISTING CONDITIONS & SHOP DRAWINGS SHOWING PROPOSED NEW HANDRAIL LAYOUT FOR APPROVAL BY THE CONTRACT ADMINISTRATOR PRIOR TO FABRICATION.



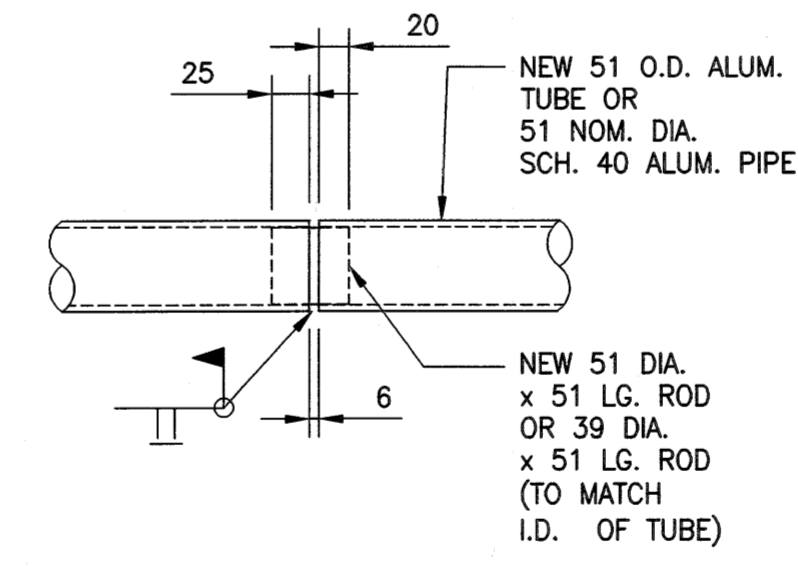
**E** SECTION - NEW REMOVABLE HANDRAIL (TYP.)  
SCALE: 1:20



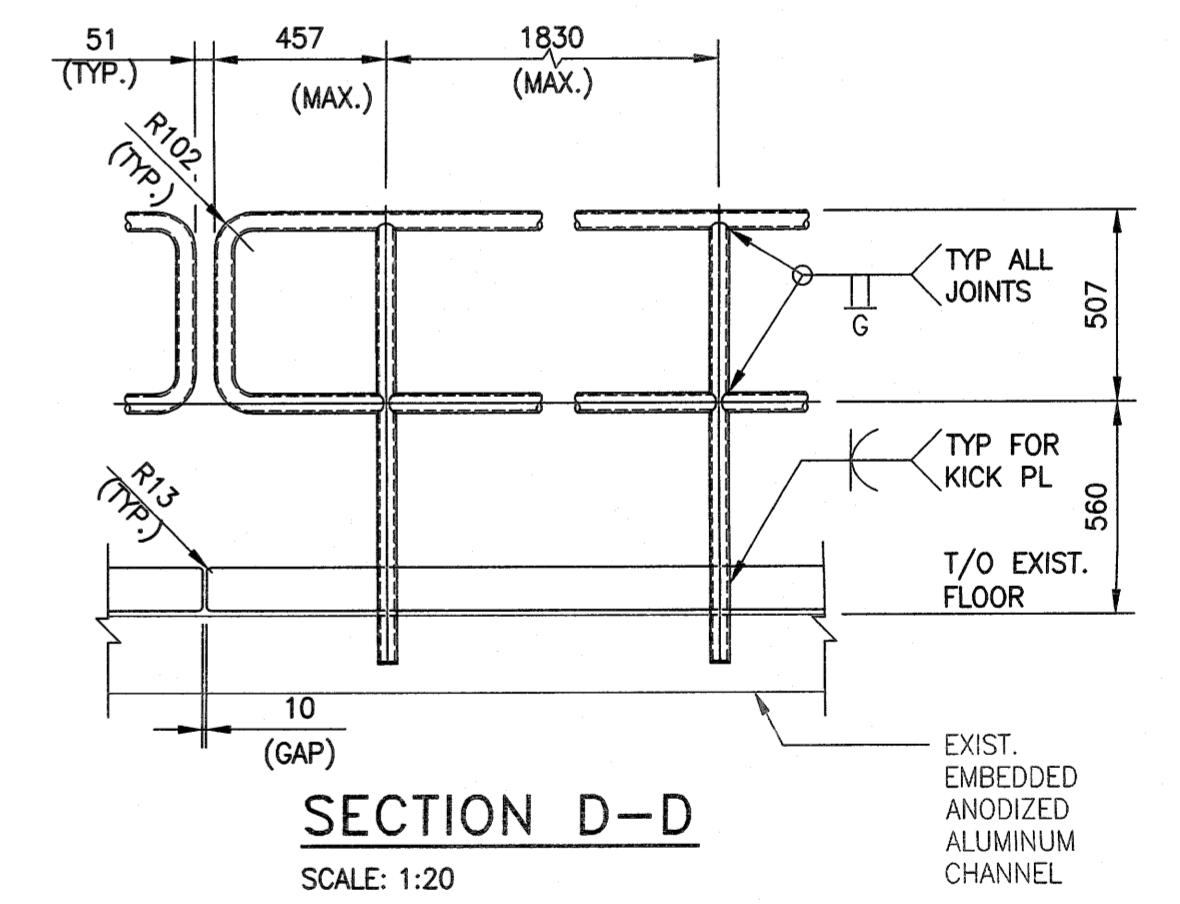
**F-F** SECTION F-F  
SCALE: 1:20



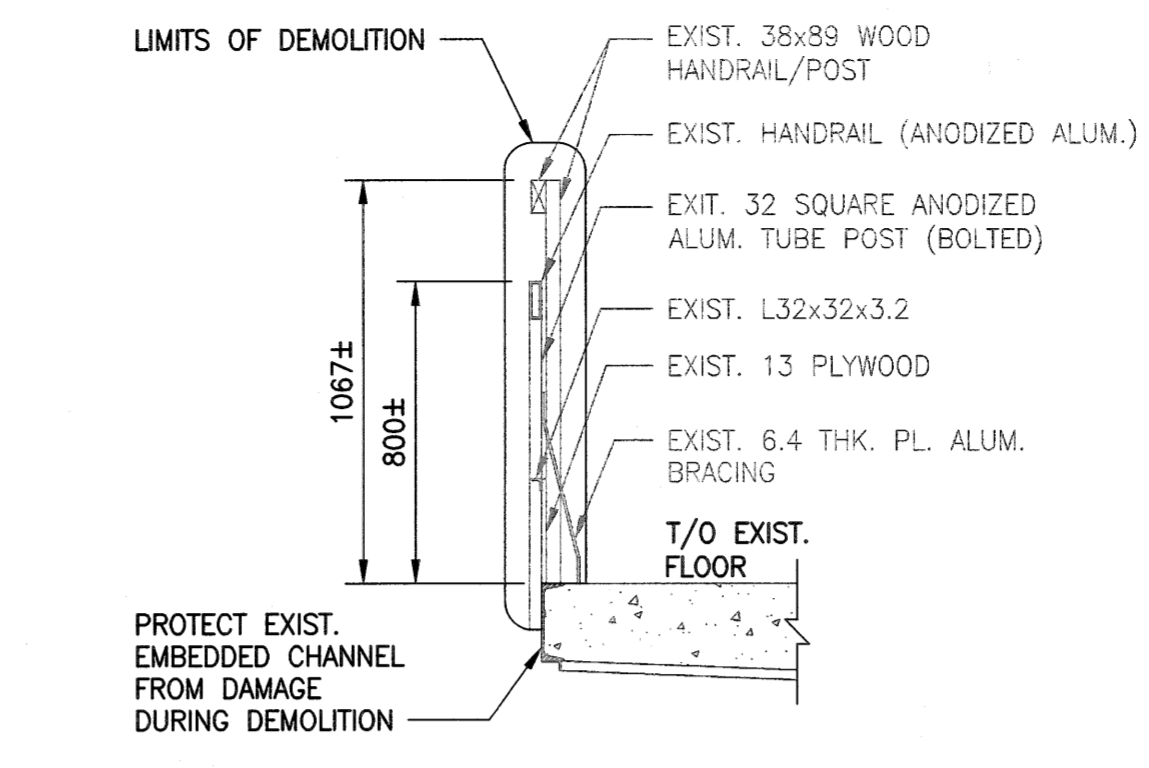
**1** DETAIL  
SCALE: 1:5



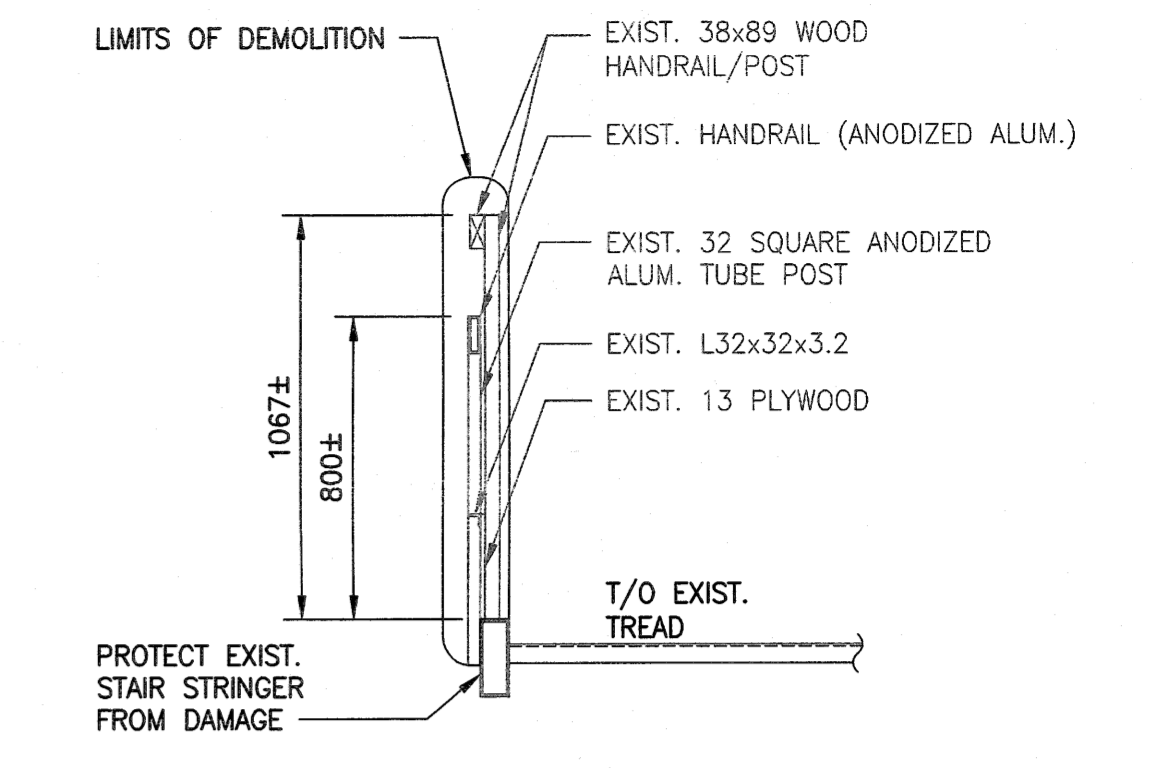
**FIELD SPLICE**  
SCALE: 1:5



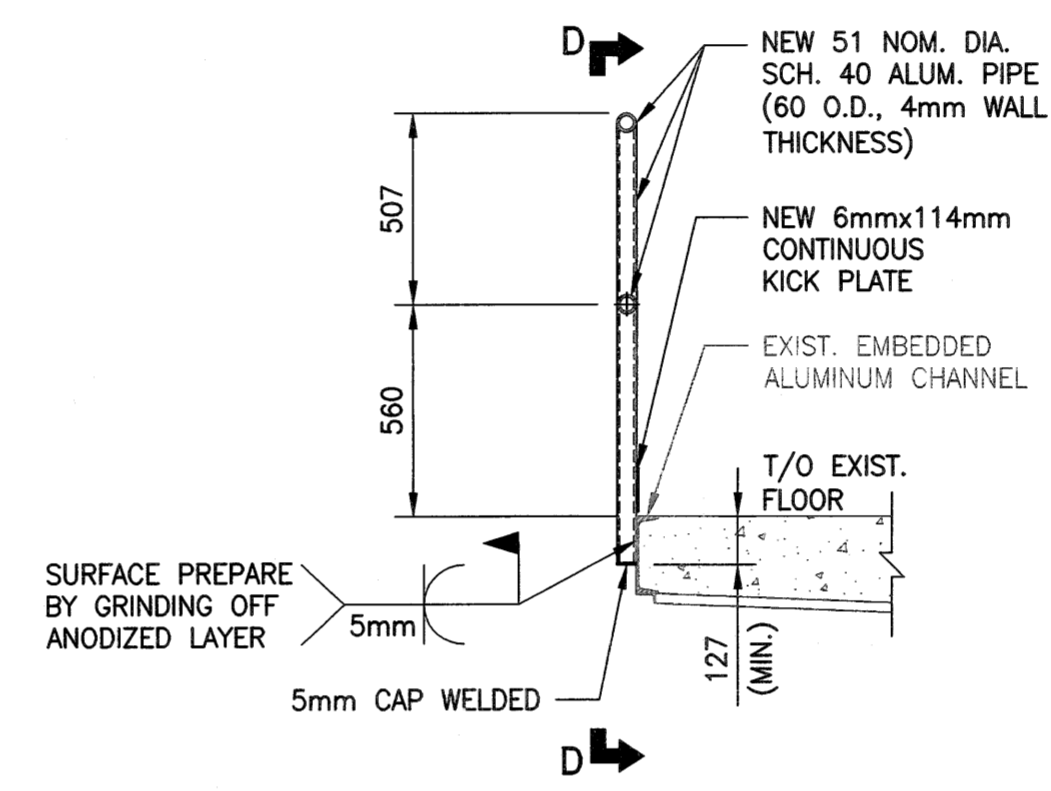
**SECTION D-D**  
SCALE: 1:20



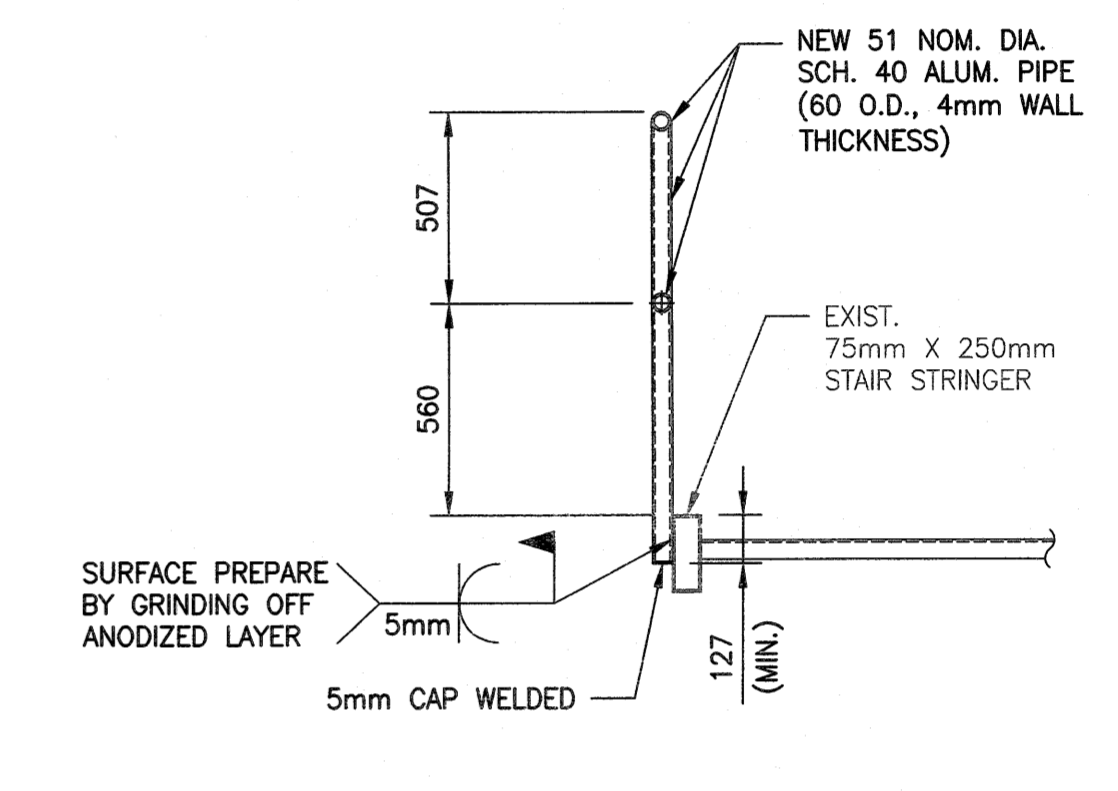
**A** SECTION - HANDRAIL (EXISTING)  
SCALE: 1:20



**B** SECTION - STAIR RAIL (EXISTING)  
SCALE: 1:20



**A** SECTION - NEW HANDRAIL (TYP.)  
SCALE: 1:20



**B** SECTION - NEW STAIR RAIL (TYP.)  
SCALE: 1:20

**METRIC**  
WHOLE NUMBERS INDICATE MILLIMETRES  
DECIMALIZED NUMBERS INDICATE METRES

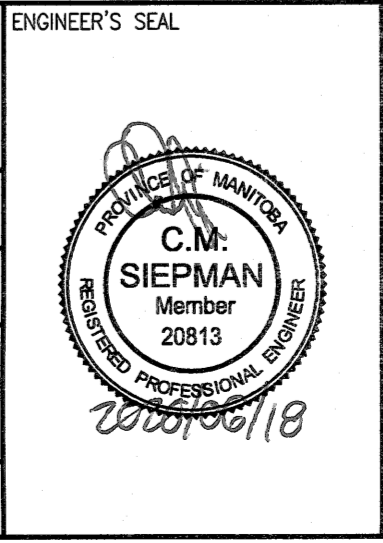
10		
9		
8		
7		
6		
5		
4		
3		
2		
1	1-0650A-D0001-001	COVER SHEET
No.	DRAWING NUMBER	REFERENCE DRAWING TITLE
REFERENCE DRAWINGS		



B.M. -	
ELEV. -	
DESIGNED BY:	L. MILIUS-ALPHONSE
CHECKED BY:	C. SIEPMAN
DRAWN BY:	F. VALENCIA
APPROVED BY:	C. SIEPMAN
SCALE:	AS NOTED
ISSUED FOR CONSTRUCTION	DATE: 2019/04/30
NO. REVISIONS	DATE DESIGN CHECK
0	ISSUED FOR CONSTRUCTION 2020/06/18

**KGS GROUP**

CONSULTANT NO.: 19-0107-005\_S12



**THE CITY OF WINNIPEG**  
WATER AND WASTE DEPARTMENT

**HURST PUMPING STATION**  
STRUCTURAL REPAIRS AND DRAINAGE BUILDING UPGRADES  
PUMP STATION HANDRAIL REPLACEMENT  
PLAN, SECTIONS AND DETAILS

CITY DRAWING NUMBER: 1-0650M-S0011  
SHEET: 001  
REV: 0  
SIZE: A1