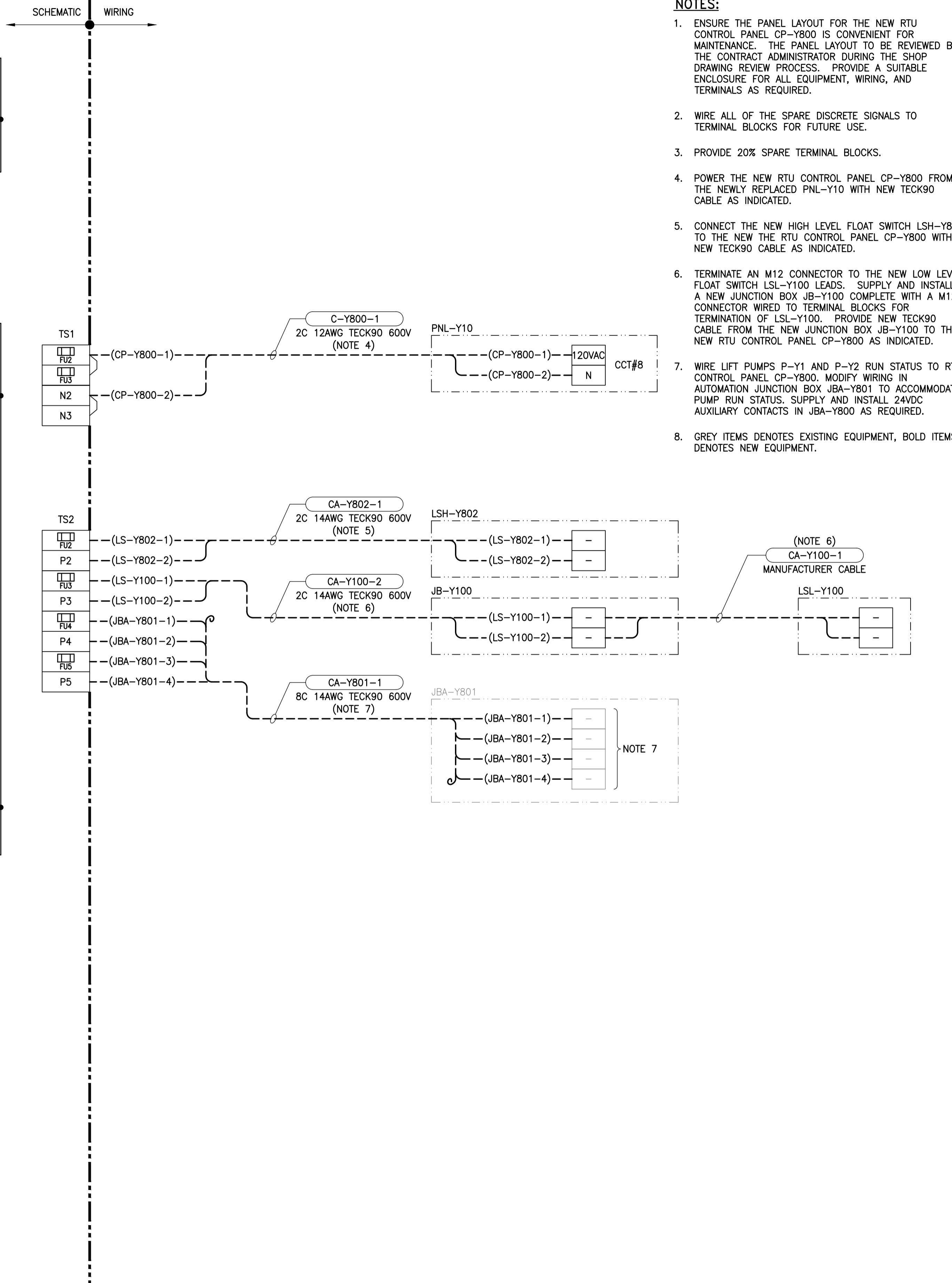
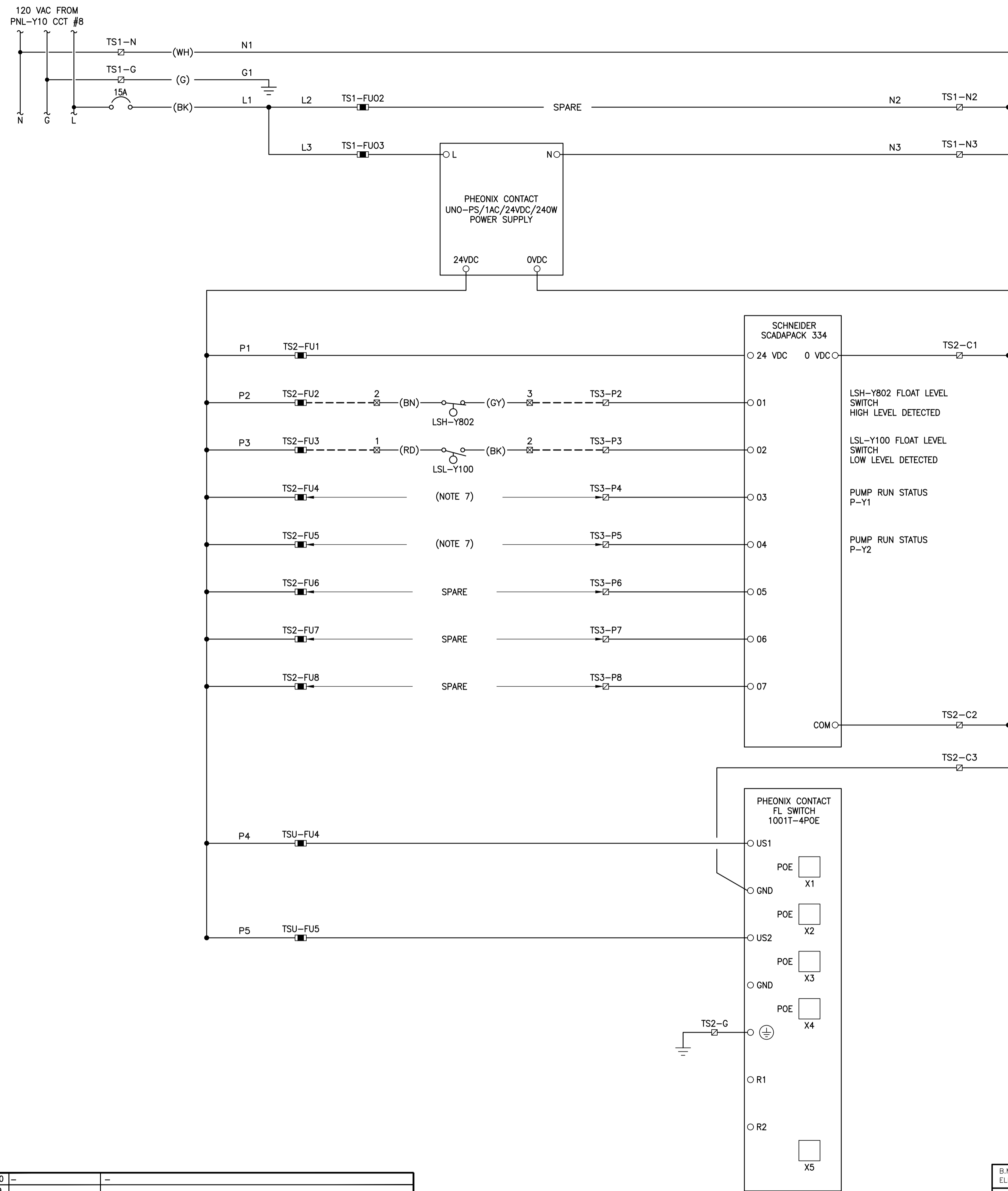


A1 SIZE - 594mm x 841mm



- NOTES:**
- ENSURE THE PANEL LAYOUT FOR THE NEW RTU CONTROL PANEL CP-Y800 IS CONVENIENT FOR MAINTENANCE. THE PANEL LAYOUT TO BE REVIEWED BY THE CONTRACT ADMINISTRATOR DURING THE SHOP DRAWING REVIEW PROCESS. PROVIDE A SUITABLE ENCLOSURE FOR ALL EQUIPMENT, WIRING, AND TERMINALS AS REQUIRED.
 - WIRE ALL OF THE SPARE DISCRETE SIGNALS TO TERMINAL BLOCKS FOR FUTURE USE.
 - PROVIDE 20% SPARE TERMINAL BLOCKS.
 - POWER THE NEW RTU CONTROL PANEL CP-Y800 FROM THE NEWLY REPLACED PNL-Y10 WITH NEW TECK90 CABLE AS INDICATED.
 - CONNECT THE NEW HIGH LEVEL FLOAT SWITCH LSH-Y802 TO THE NEW THE RTU CONTROL PANEL CP-Y800 WITH NEW TECK90 CABLE AS INDICATED.
 - TERMINATE AN M12 CONNECTOR TO THE NEW LOW LEVEL FLOAT SWITCH LSL-Y100 LEADS. SUPPLY AND INSTALL A NEW JUNCTION BOX JB-Y100 COMPLETE WITH A M12 CONNECTOR WIRED TO TERMINAL BLOCKS FOR TERMINATION OF LSL-Y100. PROVIDE NEW TECK90 CABLE FROM THE NEW JUNCTION BOX JB-Y100 TO THE NEW RTU CONTROL PANEL CP-Y800 AS INDICATED.
 - WIRE LIFT PUMPS P-Y1 AND P-Y2 RUN STATUS TO RTU CONTROL PANEL CP-Y800. MODIFY WIRING IN AUTOMATION JUNCTION BOX JBA-Y801 TO ACCOMMODATE PUMP RUN STATUS. SUPPLY AND INSTALL 24VDC AUXILIARY CONTACTS IN JBA-Y800 AS REQUIRED.
 - GREY ITEMS DENOTES EXISTING EQUIPMENT, BOLD ITEMS DENOTES NEW EQUIPMENT.

10	-	-
9	-	-
8	-	-
7	-	-
6	-	-
5	-	-
4	-	-
3	1-0650Y-E0003-001	ELECTRICAL - DRAINAGE LIFT STATION - POWER & INSTRUMENT PLAN AND DETAILS
2	1-0650A-E0002-001	AUTOMATION - NETWORK DIAGRAM
1	1-0650A-D0001-001	COVER SHEET
NO.	DRAWING NUMBER	REFERENCE DRAWING TITLE
REFERENCE DRAWINGS		



B.M.	-
ELEV.	-
NO.	REVISIONS
0	ISSUED FOR CONSTRUCTION
DATE	2020/06/18
DESIGN	CHECK

KGS GROUP

DESIGNED BY: T. BECK
 CHECKED BY: J. BOUCHARD
 DRAWN BY: S. GUSE
 APPROVED BY: J. BOUCHARD
 SCALE: AS NOTED
 DATE: 2020-06-18
 CONSULTANT NO.: 19-0107-005_E11

ENGINEER'S SEAL

THE CITY OF WINNIPEG
 WATER AND WASTE DEPARTMENT

HURST PUMPING STATION
 STRUCTURAL REPAIRS AND DRAINAGE BUILDING UPGRADES
 ELECTRICAL
 DRAINAGE LIFT STATION
 CP-Y800 SCHEMATIC AND CONNECTION DIAGRAM

CITY DRAWING NUMBER	SHEET	REV.	SIZE
1-0650Y-E0005	001	0	A1