

APPENDIX 'C'

MANITOBA HYDRO APPENDICES



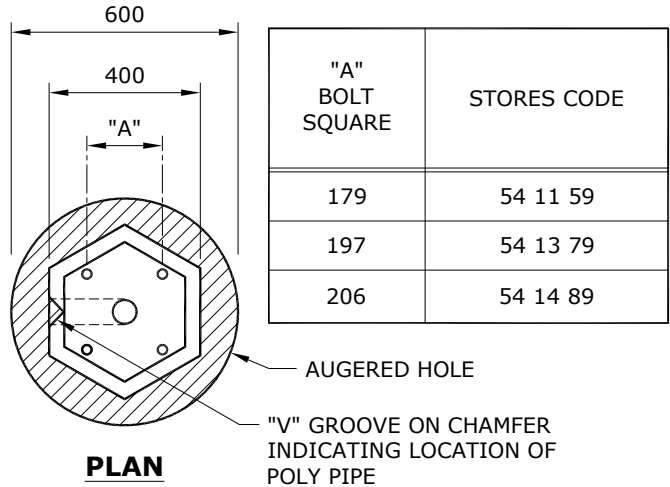
Appendix A
Electrical Standards
(2020 Streetlight Installations)

Refer to electronic copy issued under separate cover

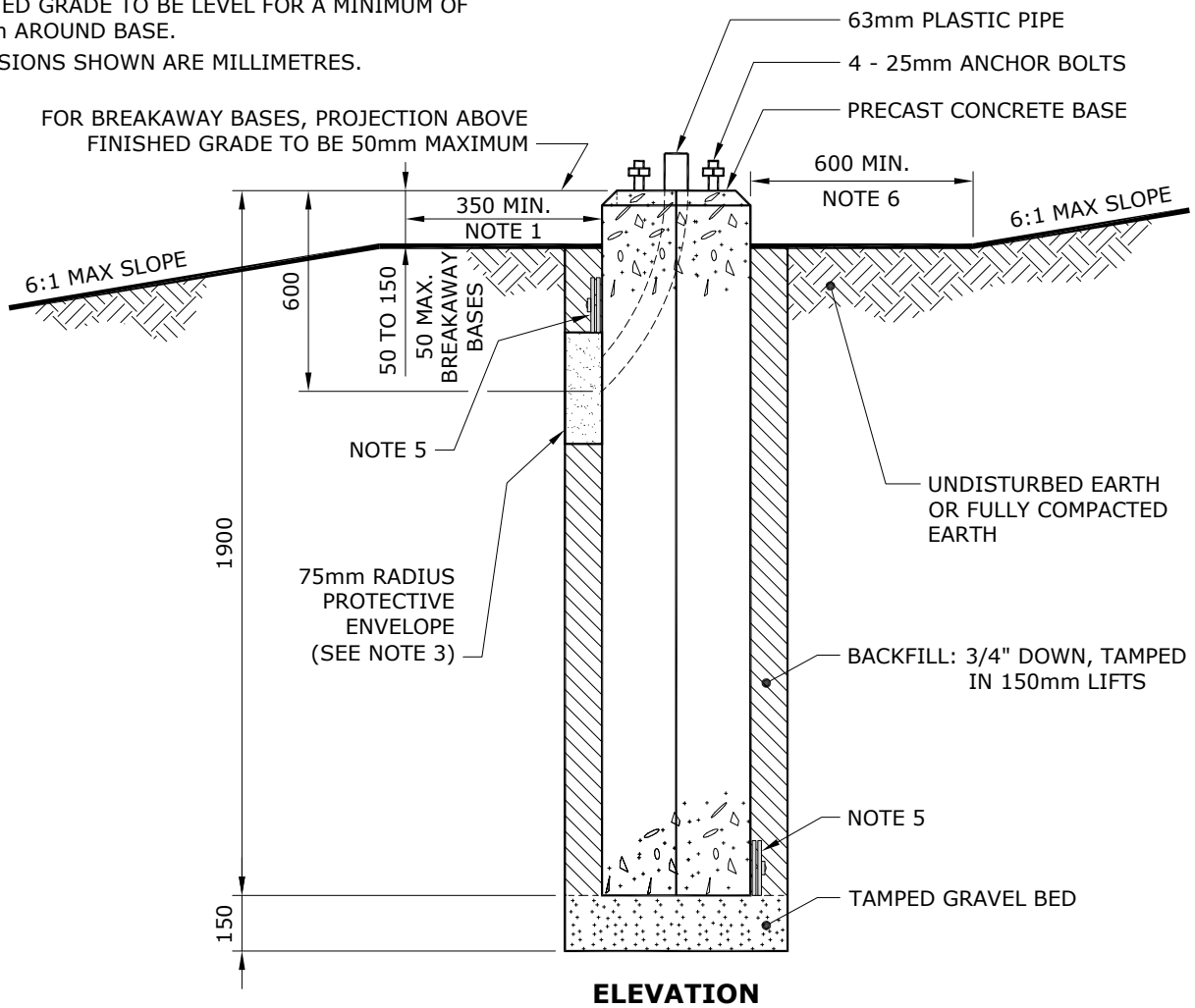
7.7 - 10.7 STREET LIGHT POLES

NOTES:

1. FOR FUTURE ACCESS TO LOWER PORTION OF PLASTIC PIPE, LOCATE "V" GROOVE SIDE OF BASE TO ROADWAY PROVIDED THAT:
 - a) A MIN. HORIZONTAL SEPARATION OF 350mm IS MAINTAINED TO ANY PAVED SURFACE OR STRUCTURE; OR
 - b) IF LESS THAN 350mm, ROTATE BASE 90°
2. ROUTE UNDERGROUND CABLES DIRECTLY INTO PLASTIC PIPE.
3. IN BACKFILL AREA, ENCASE UNDERGROUND CABLES IN A 75mm RADIUS ENVELOPE OF EXCAVATED MATERIAL OR SAND TO PROTECT CABLES. DO NOT BACKFILL WITH EXCAVATED MATERIAL OR SAND MORE THAN 1/6 OF THE WAY AROUND BASE.
4. SEE CD300-9 FOR ANCHOR ROD TIGHTENING METHOD.
5. INSTALL EXPANDING POLE KEY ANCHOR PER CD44-30. ENSURE TOP ANCHOR DOES NOT OBSTRUCT CONDUIT ENTRY HOLE.
6. FINISHED GRADE TO BE LEVEL FOR A MINIMUM OF 600mm AROUND BASE.
7. DIMENSIONS SHOWN ARE MILLIMETRES.



"A" BOLT SQUARE	STORES CODE
179	54 11 59
197	54 13 79
206	54 14 89

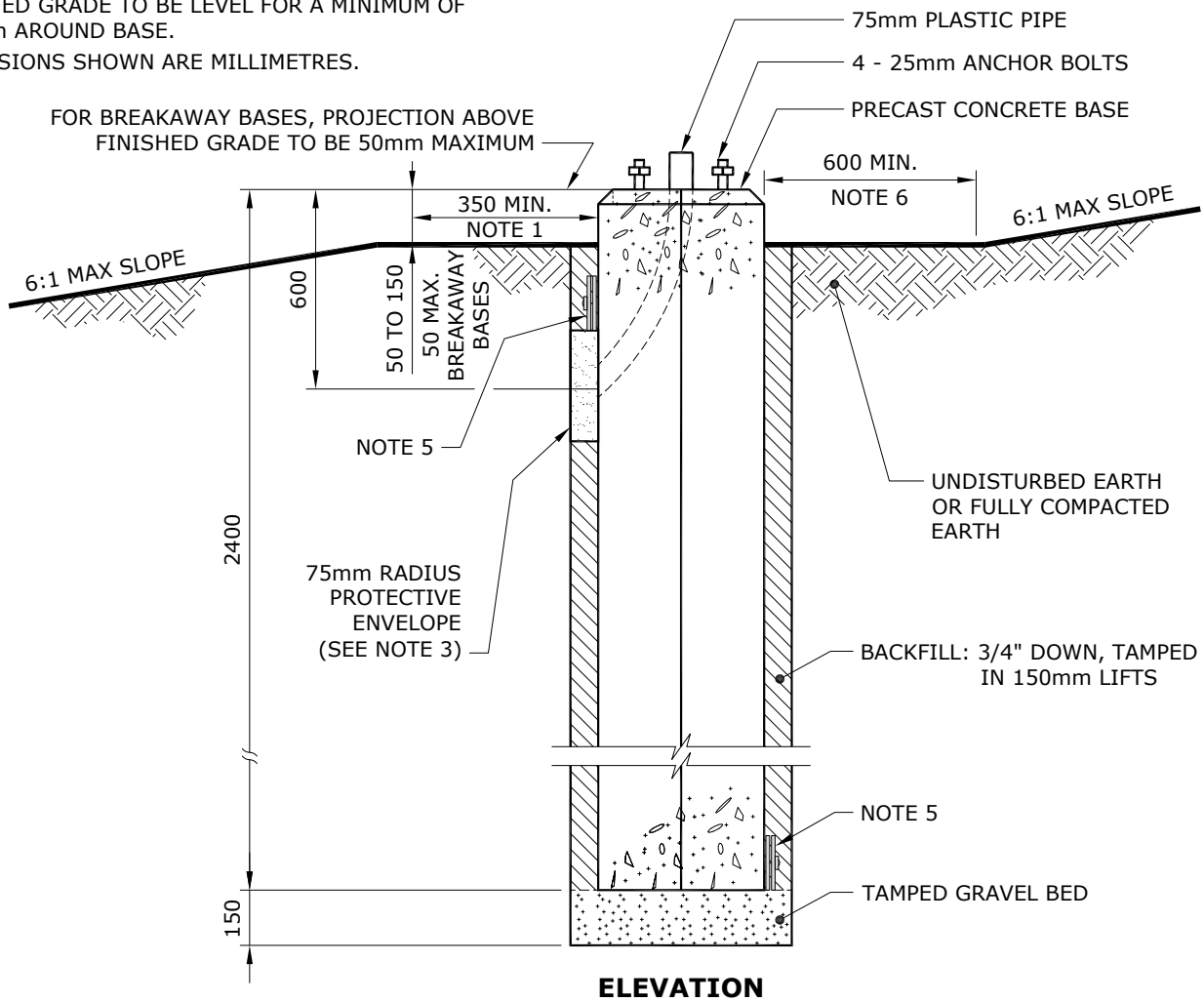
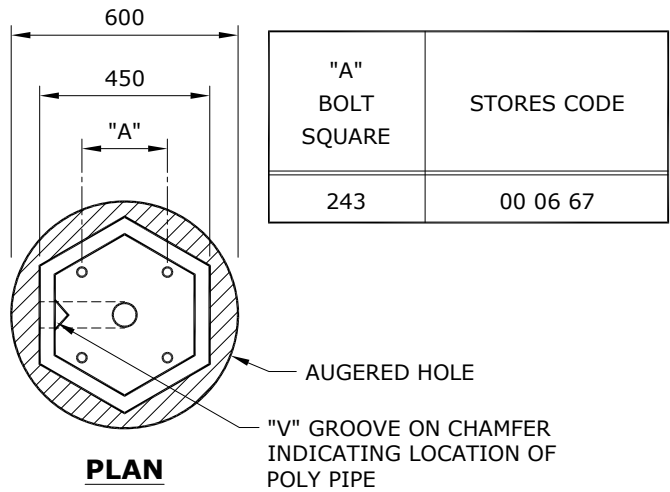


APPROVED	REVISIONS	MANITOBA HYDRO DISTRIBUTION STANDARDS	
		INSTALLATION OF PRECAST CONCRETE BASE ON SLOPE	
DRAWN C.A.	CHECKED L.D.	DATE 19-10	CD 300-7
		SHT 0001 OF 2	REV 00

13.7 STREET LIGHT POLE

NOTES:

1. FOR FUTURE ACCESS TO LOWER PORTION OF PLASTIC PIPE, LOCATE "V" GROOVE SIDE OF BASE TO ROADWAY PROVIDED THAT:
 - a) A MIN. HORIZONTAL SEPARATION OF 350mm IS MAINTAINED TO ANY PAVED SURFACE OR STRUCTURE; OR
 - b) IF LESS THAN 350mm, ROTATE BASE 90°
2. ROUTE UNDERGROUND CABLES DIRECTLY INTO PLASTIC PIPE.
3. IN BACKFILL AREA, ENCASE UNDERGROUND CABLES IN A 75mm RADIUS ENVELOPE OF EXCAVATED MATERIAL OR SAND TO PROTECT CABLES. DO NOT BACKFILL WITH EXCAVATED MATERIAL OR SAND MORE THAN 1/6 OF THE WAY AROUND BASE.
4. SEE CD300-9 FOR ANCHOR ROD TIGHTENING METHOD.
5. INSTALL EXPANDING POLE KEY ANCHOR PER CD44-30. ENSURE TOP ANCHOR DOES NOT OBSTRUCT CONDUIT ENTRY HOLE.
6. FINISHED GRADE TO BE LEVEL FOR A MINIMUM OF 600mm AROUND BASE.
7. DIMENSIONS SHOWN ARE MILLIMETRES.

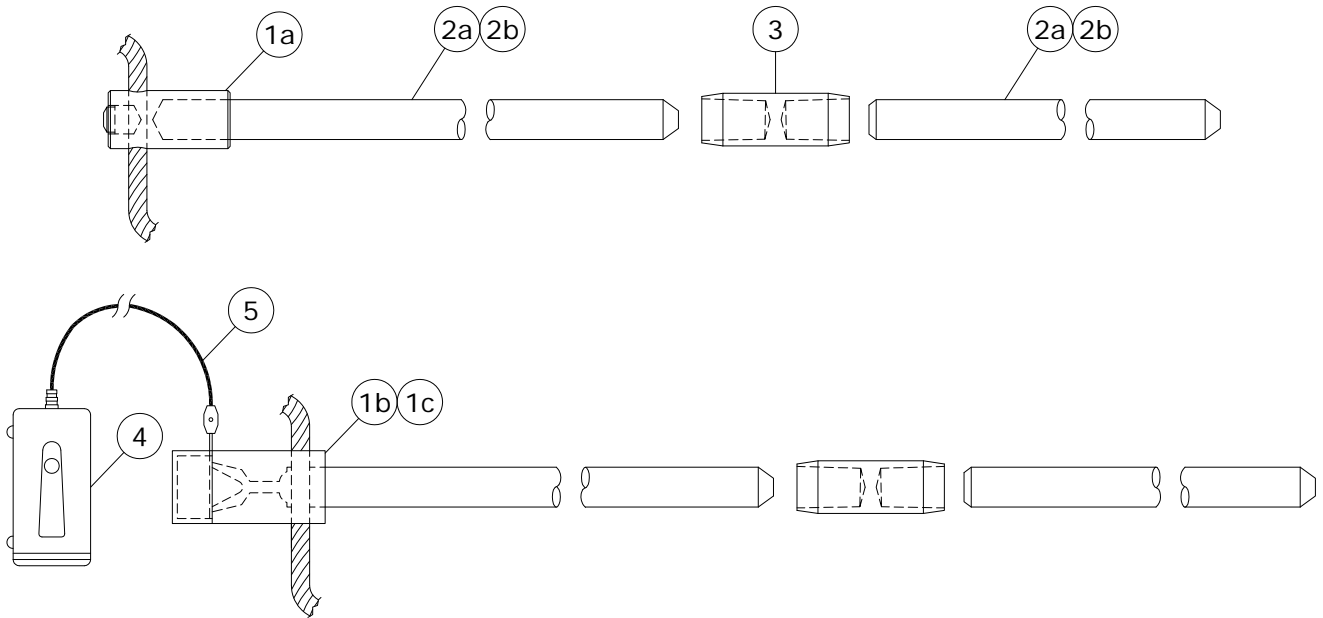


APPROVED	REVISIONS	MANITOBA HYDRO DISTRIBUTION STANDARDS	
		INSTALLATION OF PRECAST CONCRETE BASE ON SLOPE	
DRAWN C.A.	CHECKED L.D.	DATE 19-10	CD 300-7
		SHT 0002 OF 2	REV 00

Electric Standards for Streetlight Installations Table of Contents

50-7	Sheet 1 of 1	Ground Rod Material Detail
200-63	Sheet 1 & 2 of 2	Cable Guard Details on DIP/Riser Poles
210-12	Sheets 1 & 2 of 2	Underground Secondary Cable
210-15	Sheet 1 of 1	Standard Underground Secondary Cable Data
210-21	Sheet 1 of 1	Underground Secondary Cable Compression Connectors
210-24	Sheet 1 of 1	Underground Neutral Compression Connectors
215-12	Sheets 1, 2 & 3 of 3	Primary and Secondary Cable End Caps
215-13	Sheets 1 & 2 of 2	Splicing Secondary Neutral (Bare Copper to Insulated Aluminum)
300-1	Sheet 1 of 1	Standard Steel Street Light Poles
300-6	Sheets 1 & 2 of 3	Installation of Precast Concrete Base
300-9	Sheet 1 of 1	Method for Anchor Rod Tightening
300-10	Sheets 1 & 2 of 2	Breakaway Base Installation
300-18	Sheet 1 of 1	Rigging Weights of Street Light Components
300-24	Sheet 1 of 2	Standard LED Luminaires
305-1	Sheets 1 & 2 of 2	Plowing and Trenching Details for Underground Street Light Circuits
310-1	Sheets 1 & 2 of 2	Installation of Street Light Cables
310-3	Sheets 1 to 3 of 3	Raychem Gelcap Splice
310-4	Sheets 1 to 4 of 4	Connection Detail on Steel Street Light Standard
310-9	Sheets 1 to 4 of 4	Street Light Circuit Protected by 30A Fuse in Streetlight Standard
310-10	Sheets 1 to 4 of 4	Street Light Circuit Protected by 15A Fuse in Streetlight Standard
315-1	Sheet 1 of 1	Supply Voltages Street Light Circuits
315-2	Sheet 1 of 1	240/308v for Street Light Circuits
315-5	Sheet 1 of 1	DIP Pole for Underground Street Light Circuit
315-10	Sheet 1 of 1	Control Methods for Street Light Controls
315-12	Sheet 1 of 1	Installation of Externally-Mounted Relay
315-13	Sheet 1 of 1	Connection Schematic for Externally-Mounted Relay
315-35	Sheet 1 of 1	Identification of First Street Light Standard Connected to Circuit

Updated: March 20, 2020



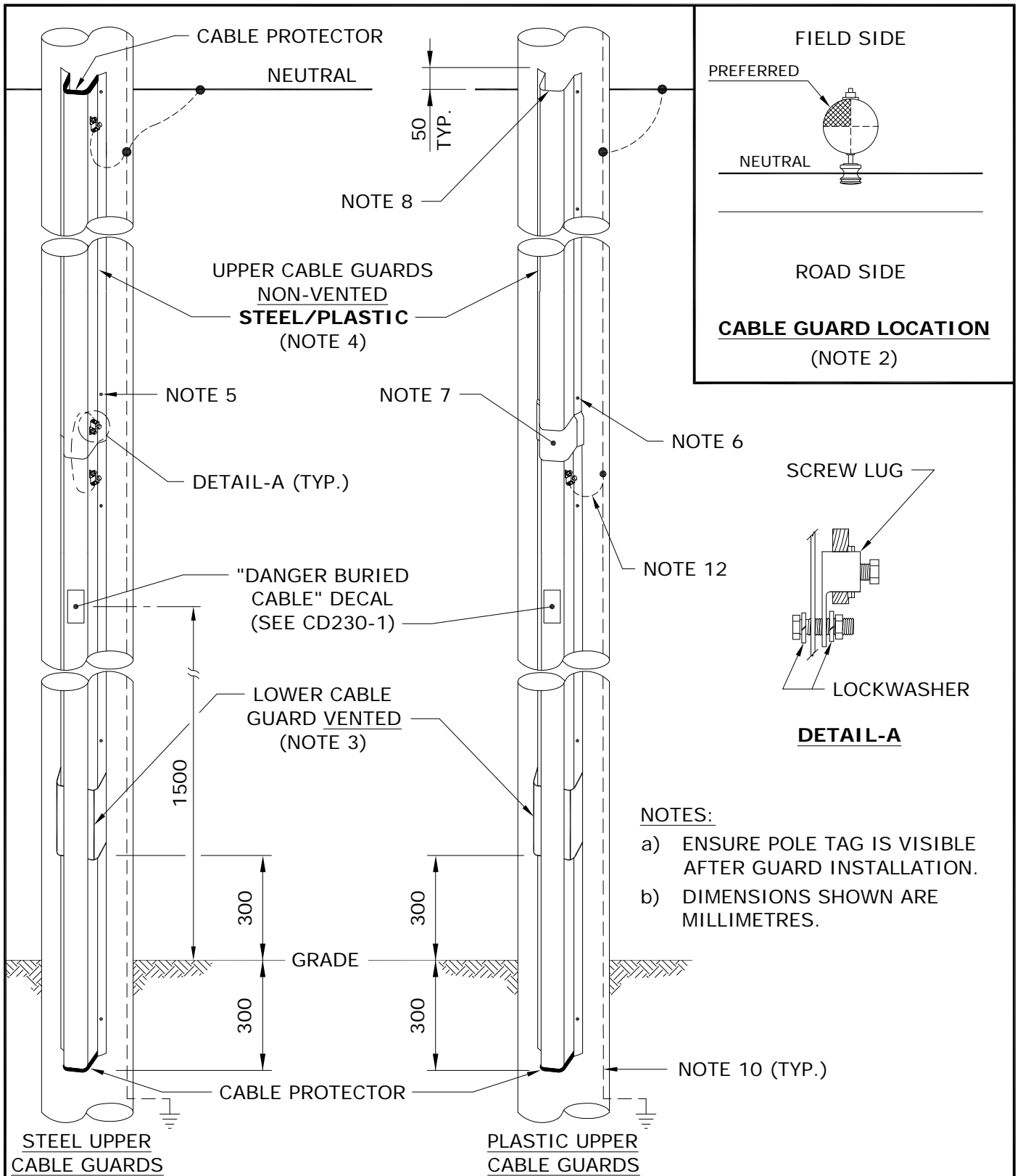
COPPERWELD - SECTIONAL

ITEM No.	DESCRIPTION	MH CIIC
1a	HAMMERLOCK FOR #2 & #4 CU	04 60 24
1b	ONE SHOT PLUS FOR 2/0	03 59 15
1c	ONE SHOT PLUS FOR 4/0	03 77 06
2a	10' CU-WELD ROD SECTIONAL (SEE NOTE 2)	71 70 10
2b	6' CU-WELD ROD SECTIONAL	00 68 26
3	COUPLING CU-WELD	00 52 27
4	ELECTRONIC IGNITER FOR ONE SHOT PLUS WITH 15' CORD	03 59 10
5	15' REPLACEMENT CORD	03 67 43

NOTES:

- FOR 3/4" GROUND RODS. IF A 5/8" GROUND ROD IS ENCOUNTERED, IT IS TO BE REPLACED WITH A 3/4" ROD.
- FIRST GROUND ROD SHALL BE A 10' ROD.

APPROVED ORIGINAL DRAWING SEALED BY E.H. WIEBE 99-01-04	REVISIONS			MANITOBA HYDRO DISTRIBUTION STANDARDS	
	13-01	3	ADDED HAMMERLOCK CONNECTOR	GROUND ROD MATERIAL DETAIL	
	08-07	2	ADDED ELECTRONIC IGNITER & REVISED TABLE		
00-08	1	REMOVED STEEL AND GALVANIZED RODS, ONE SHOT ADDED			
DRAWN R.L.B./CAD	CHECKED D.F./D.O.	DATE 98-08	CD 50-7		SHT 0001 OF 1
					REV 03



SUPERCEDES ORIGINAL SEALED BY E. WIEBE ON 94-07-03

APPROVED		REVISIONS		MANITOBA HYDRO DISTRIBUTION STANDARDS	
ORIGINAL DRAWING SEALED BY J.J.D. RINGASH 15-10-29	16-04	4	REVISED NOTE	CABLE GUARD DETAILS ON DIP/RISER POLES	
	15-10	3	ADDED NOTE a), RESEALED		
	99-10	2	PLASTIC CABLE GUARD AND SHEET 2 ADDED		
DRAWN C.A.	CHECKED J.R.	DATE 15-10		CD 200-63	
				SHT	REV
				0001 OF 2	04

NOTES:

1. FOR CABLE GUARD SELECTION GUIDE, REFER TO DRAWING CD200-66.
2. TO PROVIDE A SAFER CLIMBING SURFACE AND TO PREVENT VEHICULAR DAMAGE TO THE CABLE GUARD, THE PREFERRED ATTACHMENT OF THE CABLE GUARD TO THE POLE SHOULD BE IN THE QUADRANT AS SHOWN.
3. THE LOWER CABLE GUARD SHALL BE GALVANIZED STEEL AND VENTED.
4. UPPER CABLE GUARD SHALL BE PLASTIC FOR THE 50mm & 90mm GUARDS AND GALVANIZED STEEL FOR THE 130mm GUARD.
5. ATTACH GALVANIZED STEEL CABLE GUARD TO POLE WITH 3/8" LAG SCREWS (72-60-03).
6. ATTACH THE PLASTIC CABLE GUARD TO THE POLE WITH #16 x 2" WOOD SCREWS (72-95-10), C/W FLAT WASHERS (86-10-04).
7. POSITION THE LAP-JOINT OF THE PLASTIC CABLE GUARD DOWN & OVER LAPPED A MINIMUM OF 25mm ONTO THE VENTED CABLE GUARD.
8. ENSURE THAT THE INNER EDGE IS BEVELLED.
9. CABLE GUARD TO EXTEND 50mm ABOVE THE NEUTRAL CONDUCTOR.
10. GROUNDING AND BONDING CONDUCTORS SHALL BE #4 BARE COPPER.
11. FOR GROUNDING CONNECTIONS, REFER TO DRAWING CD200-60.
12. BOND VENTED CABLE GUARD AT THIS POINT.

SUPERCEDES ORIGINAL SEALED BY E. WIEBE ON 99-11-03

APPROVED		REVISIONS		MANITOBA HYDRO DISTRIBUTION STANDARDS		
ORIGINAL DRAWING SEALED BY J.J.D. RINGASH 15-10-29				CABLE GUARD DETAILS ON DIP/RISER POLES		
		16-04	2			ADDED FLAT WASHERS TO NOTE 6
		15-10	1			RESEALED
DRAWN C.A.	CHECKED J.R.	DATE 15-10	CD 200-63		SHT 0002 OF 2	
					REV 02	

SECONDARY CABLE	TYPICAL USAGE
#4 AL. CONCENTRIC NEUTRAL	STREET LIGHT CIRCUITS
1/0 AL. TRIPLEX	SECONDARY RESIDENTIAL SERVICES AND HEAVILY LOADED STREET LIGHT CIRCUITS WHERE VOLTAGE DROP MAY BE A PROBLEM
4/0 AL. TRIPLEX	SECONDARY RESIDENTIAL SERVICES
350 TRIPLEX	SECONDARY RESIDENTIAL SERVICES
4/0 AL. TRIPLEX	THREE PHASE SECONDARY SERVICES ADD #2 Cu BARE NEUTRAL UP TO 200 AMP
350 AL. QUADRAPLEX	THREE PHASE SECONDARY SERVICES 400 AMP OR 200A OVER 75m
750 AL. OR 1000 CU.	THREE PHASE SECONDARY SERVICES OVER 400 AMPS

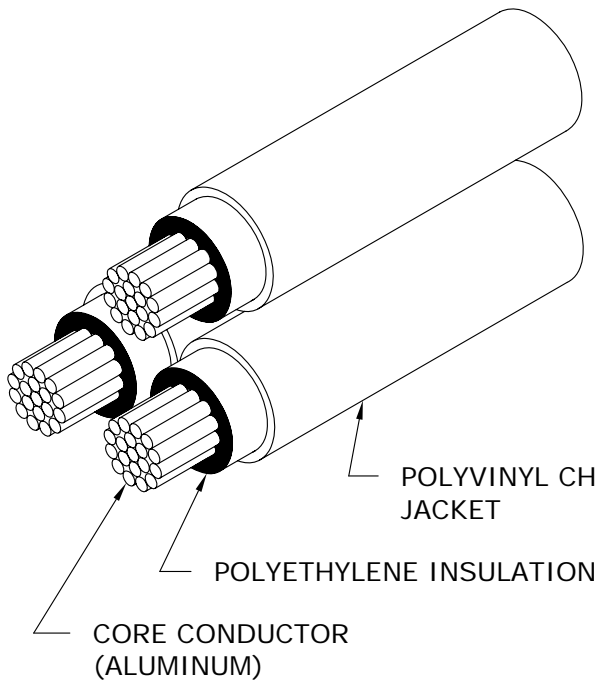
NOTE:

SEE CD225-4 FOR SIZING AND SPACING OF SINGLE AND THREE PHASE CONDUCTORS.

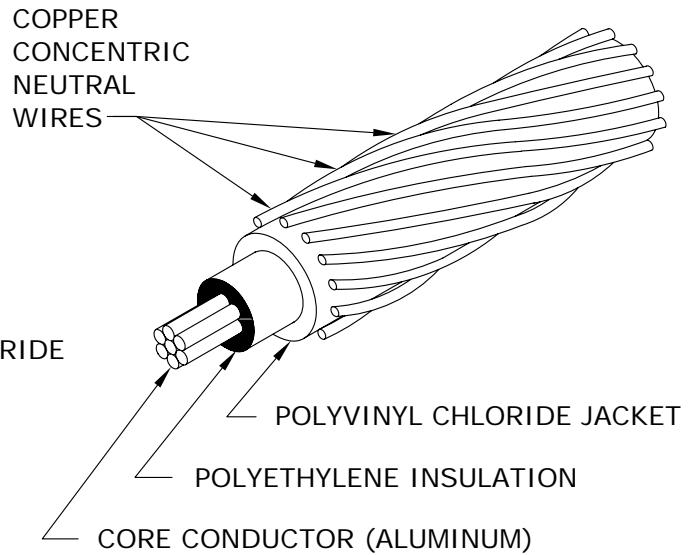
SUPERCEDES ORIGINAL SEALED BY E. WIEBE ON 88-03-29

APPROVED		REVISIONS		MANITOBA HYDRO DISTRIBUTION STANDARDS	
ORIGINAL DRAWING SEALED BY J.J.D. RINGASH 17-01-25	17-01	11	ADDED 4/0 AL TRIPLEX TO TABLE, RESEALED	UNDERGROUND SECONDARY CABLE	
	06-03	10	ADDED NOTE AND 350 TRIPLEX		
	99-04	9	4/0 AL. TRIPLEX, NOTE CHANGED		
DRAWN C.A.	CHECKED K.S.	DATE 17-01	CD 210-12		SHT 0001 OF 2
					REV 11

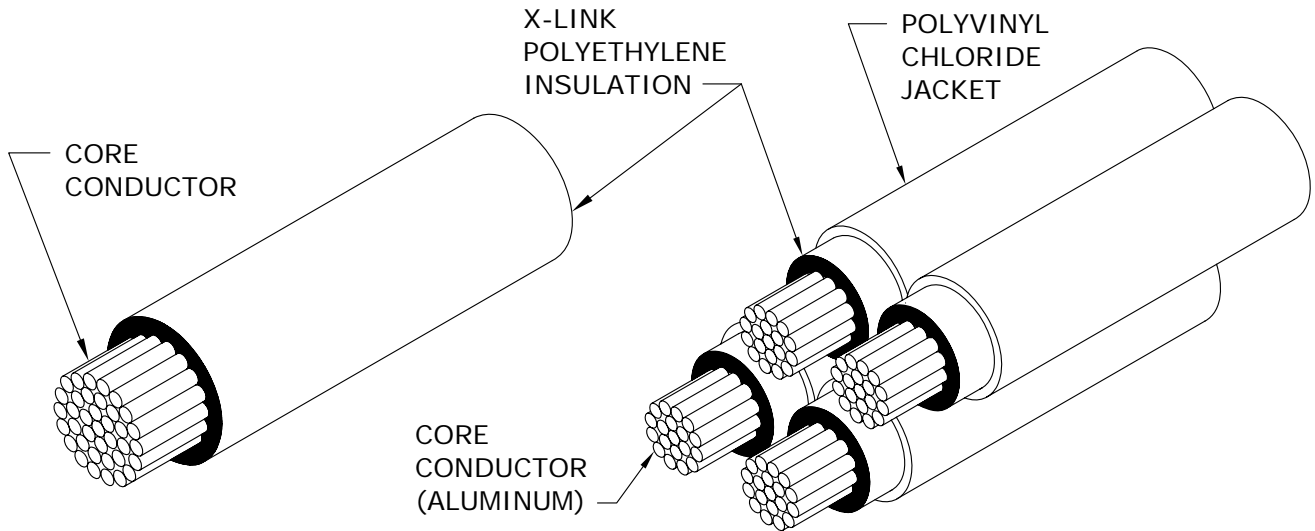
BASIC CONSTRUCTION OF UNDERGROUND SECONDARY CABLES



1/0 & 4/0 AND 350 TRIPLEX



4 CONCENTRIC NEUTRAL CABLE



750 kcmil (AL) & 1000 kcmil (CU) RWU

350 kcmil QUADRAPLEX

APPROVED	REVISIONS			MANITOBA HYDRO DISTRIBUTION STANDARDS		
ORIGINAL DRAWING SEALED BY E.H. WIEBE 94-07-03	06-03	2	REPLACED 4/0 TRIPLEX WITH 4/0 & 350 TRIPLEX	UNDERGROUND SECONDARY CABLE		
	95-01	1	C/N WIRES NO LONGER TINNED			
	93-07	0	500 MCM DELETED 350 750 kcmil ADDED FORMERLY CD210-3			
DRAWN W.B./CAD	CHECKED B.H.	DATE 93-07	CD 210-12		SHT 0002 OF 2	REV 02

UNDERGROUND SECONDARY CABLE

VOLTAGE RATING	600V	600V	600V	600V	1000V	1000V	1000V
CORE CONDUCTOR SIZE	#4	1/0	4/0	350 kcmil	750 kcmil	1000 kcmil	1000 kcmil
CORE CONDUCTOR MATERIAL	ALUM.	ALUM.	ALUM.	ALUM.	ALUM.	ALUM.	COPPER
TYPE OF CABLE	C/N	TRIPLEX	TRIPLEX	TRIPLEX OR QUADPLEX	1-COND.	1-COND.	1-COND.
NEUTRAL SIZE AND TYPE	#6 CU. Concentric Neutral	1/0 ALUM.	4/0 ALUM.	350 kcmil ALUM.	NONE	NONE	NONE
MIN. BENDING RADIUS (mm)	125	115	150	180	250	300	300
DC RESISTANCE @ 20°C (OHMS/km)	1.360	0.538	0.269	0.163	0.076	0.057	0.035
** DIRECT BURIED AMPACITY (@ 20°C ambient)	125	215	300	420	* 725	* 840	* 1080
VENTED CABLE GUARD AMPACITY (@ 20°C ambient)	100	175	250	330	575	680	855
*** BURIED DUCT AMPACITY (@ 20°C ambient)	70	130	195	265	425	495	630
CONDUCTOR DIAMETER (mm)	5.4	8.9	12.7	15.8	25	26.9	26.9
NOMINAL DIA. OVER INSUL. (mm)	8.6	12.5	16.5	21.6	31.4	33.5	33.5
NOMINAL DIA. OVER JACKET (mm)	12.74	14.7	17.8	22.8	N/A	N/A	N/A
LINEAL MASS (kg/km)	N/A	760	1320	2200/2900	1330	1369	4983
COLD SHRINK END CAPS (MH CIIC)	N/A	15 31 40	15 31 40	15 31 60	15 31 75	15 31 75	15 31 75
HEAT SHRINK END CAPS (MH CIIC)	03 67 31	03 67 31	03 67 31	03 67 30	01 79 82	03 48 63	03 48 63

* PROVIDED MULTIPLE CONDUCTORS PER PHASE ARE SPACED AS SHOWN IN DRAWING CD225-4.

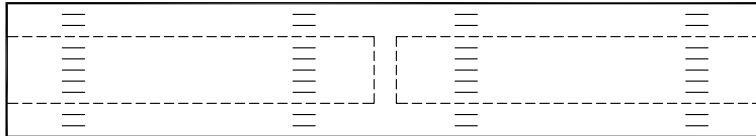
** CABLES DIRECTLY BURIED OUT OF PADMOUNT TRANSFORMERS OR PEDESTALS.

*** CABLES IN NON-VENTED CABLE GUARDS OR IN CONDUITS LONGER THAN 2 METRES.

SUPERCEDES ORIGINAL SEALED BY E. WIEBE ON 94-07-03

APPROVED ORIGINAL DRAWING SEALED BY J.J.D. RINGASH 16-03-30	REVISIONS		MANITOBA HYDRO DISTRIBUTION STANDARDS					
	17-01	5	REVISED TABLE		STANDARD UNDERGROUND SECONDARY CABLE DATA			
	16-03	4	ADDED 1000 kcmil ALUM. COND., REVISED DATE, RESEALED					
08-12	3	ADDED COLD & HEAT SHRINK CAPS AND LINEAL MASS TO TABLE						
DRAWN C.A.	CHECKED J.R.	DATE 16-03		CD 210-15			SHT 0001 OF 1	REV 05

1-04431-DA-58041-0009



- FOR SPLICING SECONDARY ALUMINUM/COPPER CONDUCTORS.
- NOT SUITABLE FOR USE ON PRIMARY CONDUCTORS.
- COMPLETE WITH BARRIER TO PREVENT MOISTURE MIGRATION.
- FILLED WITH SYNTHETIC INHIBITOR.
- STAMPED WITH CONDUCTOR AND DIE SIZE.
- **COMPRESSION TOOL DIE MUST MATCH DIE NUMBER STAMPED ON CONNECTOR.**
- WIRE BRUSH ALL CONDUCTORS PRIOR TO INSTALLING CONNECTOR.

*** UNDERGROUND SECONDARY CABLE COMPRESSION CONNECTORS**

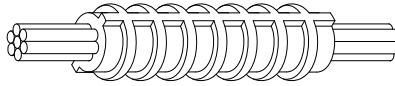
CONDUCTOR SIZE		STORES CODE	TOOL (DIES)	
FROM	TO		PREFERRED	ALTERNATE
#4	#4	74 27 64	Y35 (UCSA 22)	** MD6 (WCSA 22, BG)
1/0	#2	74 27 30		
1/0	1/0	74 27 65		
4/0	1/0	74 27 67	Y35 (UCSA 24)	** MD6 (WCSA 24, 249)
4/0	4/0	74 27 68		
350	4/0	74 27 78	Y35 (UCSA 28)	---
350	350	74 27 72		
750	500	74 27 27	Y46/ADPT (UCSA 30)	---

* FOR CONNECTING INSULATED ALUMINUM TO BARE COPPER, REFER TO DRAWING CD215-13.

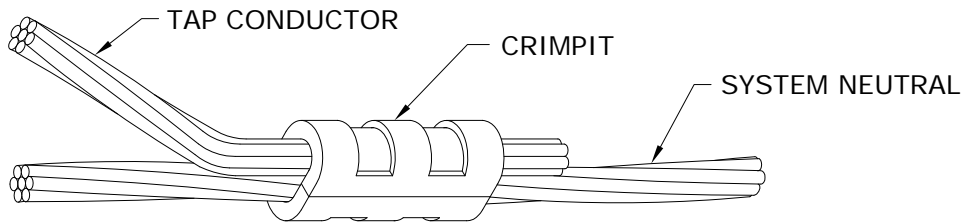
** ROTATE MD6 TOOL 180° AFTER EVERY CRIMP.

APPROVED		REVISIONS		MANITOBA HYDRO DISTRIBUTION STANDARDS					
ORIGINAL DRAWING SEALED BY E.H. WIEBE 94-07-03				UNDERGROUND SECONDARY CABLE COMPRESSION CONNECTORS					
		95-09	2					350-4/0 CONNECTOR ADDED	
		95-01	1					NOTE ON MD6 TOOL ADDED	
DRAWN W.B./CAD	CHECKED G.W.	DATE 93-07		CD 210-21		SHT 0001 OF 1	REV 02		

- COMPRESSION TOOL DIE MUST MATCH DIE NUMBER STAMPED ON CONNECTOR.
- WIRE BRUSH CONDUCTORS PRIOR TO INSTALLING COMPRESSION CONNECTORS.



UNDERGROUND NEUTRAL COMPRESSION CONNECTORS			
CONDUCTOR SIZE		STORES CODE	TOOL (DIES)
FROM	TO		
#4	#4	74 32 04	MD6 (162)
#2	#2	74 32 02	MD6 (163)
2/0	2/0	74 31 26	MD6 (166)
4/0	4/0	74 31 28	Y35 (168)
350	350	74 32 31	Y35 (267)



UNDERGROUND NEUTRAL "C" TYPE (CRIMPIT) COMPRESSION CONNECTORS			
* (FOR USE ON COPPER CONDUCTORS ONLY)			
CONDUCTOR SIZE		STORES CODE	TOOL (DIES)
RUN	TAP		
#6 - #4	#6	74 41 10	MD6 (BG)
#4	#4	74 40 90	MD6 (BG)
#2	#4	74 40 80	MD6 (WC)
#2	#2	74 40 70	MD6 (WC)
1/0 - 2/0	1/0 - 2/0	74 41 12	Y35 (UO)
3/0 - 250	#6 - 2/0	74 41 15	Y35 (U997)
3/0 - 250	3/0 - 250	74 41 16	Y35 (U997)
300 - 500	#6 - 2/0	54 23 60	Y46 (P1011)
300 - 500	3/0 - 250	18 30 74	Y46 (P1011)

* FOR CONNECTING BARE COPPER TO INSULATED ALUMINUM, REFER TO DRAWING CD215-13.

APPROVED ORIGINAL DRAWING SEALED BY E.H. WIEBE 94-07-03	REVISIONS		MANITOBA HYDRO DISTRIBUTION STANDARDS							
	10-12	2	ADDED CONNECTOR							
	95-01	1	NOTES REARRANGED							
	93-07	0	CONNECTORS ADDED, FORMERLY CD210-8							
DRAWN W.B./CAD			CHECKED K.C.H.		DATE 93-07		CD 210-24		SHT	REV
									0001	OF 1

THERE ARE THREE METHODS FOR SPLICING 600 VOLT UNDERGROUND SECONDARY CABLES:

- 1) HEAT SHRINK INSULATING TUBING SPLICE
- 2) PRE-STRETCHED INSULATING TUBING SPLICE
- 3) TAPED SPLICE

750 kcmil AND 1000 kcmil CABLES, USED IN CONJUNCTION WITH 3-PHASE COMMERCIAL SERVICES, SHALL NOT BE SPLICED, EXCEPT FOR EMERGENCY REPAIRS.

GENERAL INSTRUCTIONS:

1. a) FOR 1/0 AND 4/0 TRIPLEX CABLES:

- REMOVE ANY DAMAGED OR CONTAMINATED PORTIONS OF CABLE.
- TRAIN CABLES INTO FINAL POSITION (DO NOT SNAKE IN TRENCH).
- CUT CABLES SQUARE AND BUTT ENDS.
- STAGGER SPLICES.
- PROCEED TO STEP 2.

b) FOR #4 CONCENTRIC NEUTRAL CABLE:

- REMOVE ANY DAMAGED OR CONTAMINATED PORTIONS OF CABLE.
- TRAIN CABLES INTO FINAL POSITION WITH ENDS OVERLAPPING C/L BY 150mm.
- TIGHTLY TWIST CONCENTRIC NEUTRAL WIRES INTO A BUNDLED CONDUCTOR FOR APPROXIMATELY 250mm AND TEMPORARILY FOLD BACK.
- CUT OFF APPROXIMATELY 100mm OF CABLE FROM EACH END.
- PROCEED TO STEP 2.

2. SELECT APPROPRIATE SLEEVE AND DIE ACCORDING TO DRAWING CD210-21.

3. SELECT SPLICING METHOD (FOR CORRECT MANUFACTURED SPLICES, REFER TO TABLE ON SHEET 2 of 3).

NOTE:

FOR SPLICING BARE COPPER NEUTRAL WIRE TO INSULATED ALUMINUM CABLE, REFER TO DRAWING CD215-13.

4. REMOVE JACKET AND INSULATION FROM CABLES AS PER FIGURE 1 OR FOLLOW MANUFACTURERS INSTRUCTIONS; BE CAREFUL NOT TO NICK INSULATION OR CONDUCTOR.

5. CLEAN CONDUCTOR WITH WIRE BRUSH. INSTALL CONNECTOR.

NOTE:

EXCEPT FOR TAPED SPLICE, SLIDE TUBING OVER ONE CONDUCTOR BEFORE INSTALLING CONNECTOR.

SUPERCEDES ORIGINAL SEALED BY E. WIEBE ON 94-07-03

APPROVED		REVISIONS		MANITOBA HYDRO DISTRIBUTION STANDARDS	
ORIGINAL DRAWING SEALED BY J.J.D. RINGASH 17-10-11	17-10	3	REMOVED RAYCHEM RAYVOLVE SPLICING, RESEALED	SPLICES FOR UNDERGROUND SECONDARY CABLES	
	96-05	2	NOTES REVISED, SHEET 3 ADDED		
	95-01	1	NOTES 3, 7 & TABLE ADDED		
DRAWN C.A.	CHECKED K.S.	DATE 17-10		CD 215-12	
				SHT 0001 OF 3	REV 03

6. CLEAN JACKET (50mm), INSULATION, AND CONNECTOR WITH AN APPROVED CLEANING SOLVENT (S.C.# 43 11 95).

7. COMPLETE SELECTED SPLICE (AS CHOSEN IN STEP 3).

NOTE:

TO COMPLETE #4 CONCENTRIC NEUTRAL SPLICE, PROCEED TO STEP 8.

8. FOR #4 CONCENTRIC NEUTRAL CABLE: (CONT'D)

a) APPLY 1 LAYER OF 1/4 STRETCHED 50mm WIDE RUBBER MASTIC TAPE (S.C.#78 55 28) OVER CENTRE OF COMPLETED SPLICE.

b) TRAIN TWISTED CONCENTRIC NEUTRAL WIRE (STEP 1b) INTO FINAL POSITION ALLOWING ADEQUATE CLEARANCE FOR MD6 PRESS.

c) PLACE "C" TYPE COMPRESSION CONNECTOR OVER TWISTED WIRES AND CRIMP. REFER TO DRAWING CD210-24.

d) TRIM OFF PROTRUDING WIRES AND COMPRESS WITH PLIERS ELIMINATING ANY SHARP ENDS.

e) APPLY A 100mm STRIP OF 50mm WIDE RUBBER MASTIC TAPE OVER CONNECTOR AND PROTRUDING WIRES.

NOTE:

SHINY SIDE AGAINST CONNECTOR AND THE 100mm LENGTH PARALLEL TO CONNECTOR AND WIRE.

f) FORM TAPED CONCENTRIC NEUTRAL CONNECTION AND WIRES AROUND SPLICE AND CABLE.

g) APPLY 2 LAYERS 3/4 STRETCHED COLD WEATHER VINYL TAPE (S.C.#78 55 98) OVER TAPED CONCENTRIC NEUTRAL CONNECTION AND SPLICE, APPROXIMATELY 50mm WIDE.

MANUFACTURED SPLICES FOR SECONDARY CABLES		
CONDUCTOR SIZE	TYPE OF SPLICE	STORES CODE
#4 TO 1/0	PRESTRETCHED	85 13 10
4/0 TO 350	PRESTRETCHED	85 13 40
	HEAT SHRINK	85 13 50

SUPERCEDES ORIGINAL SEALED BY E. WIEBE ON 94-07-03

APPROVED		REVISIONS		MANITOBA HYDRO DISTRIBUTION STANDARDS	
ORIGINAL DRAWING SEALED BY J.J.D. RINGASH 17-10-11	17-08	4	REVISED TABLE, RESEALED	SPLICES FOR UNDERGROUND SECONDARY CABLES	
	15-02	3	REMOVED RAYVOLVE SPLICE FROM TABLE		
	08-03	2	REVISED TABLE AND NOTE 6		
DRAWN C.A.	CHECKED K.S.	DATE 17-08	CD 215-12		SHT 0002 OF 3
					REV 04

FOR TAPED SPLICE

TAPES SHALL ONLY BE APPLIED DIRECTLY FROM ROLL ONTO SPLICE, HALF LAPPED AND STRETCHED TO 3/4 OF THEIR ORIGINAL WIDTH.

1. APPLY 3 LAYERS OF SELF-AMALGAMATING ETHYLENE PROPYLENE RUBBER (E.P.R.) TAPE (S.C.#78 55 23) AS PER FIGURE 2.
2. APPLY 2 LAYERS OF COLD WEATHER VINYL TAPE (S.C.#78 55 98) AS PER FIGURE 2.

OR

APPLY 3 LAYERS OF SELF-AMALGAMATING HIGH TEMPERATURE SILICONE TAPE (S.C.#03 74 67). VINYL TAPE IS NOT REQUIRED.

NOTE:
DIMENSIONS SHOWN ARE MILLIMETRES.

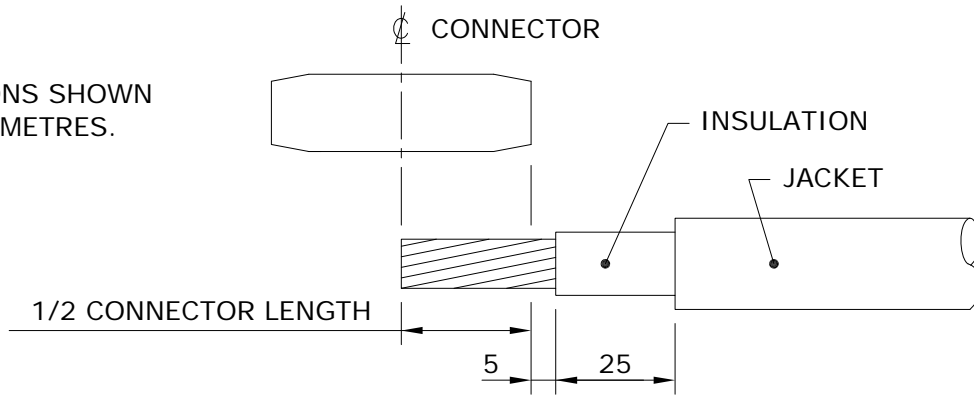


FIGURE 1

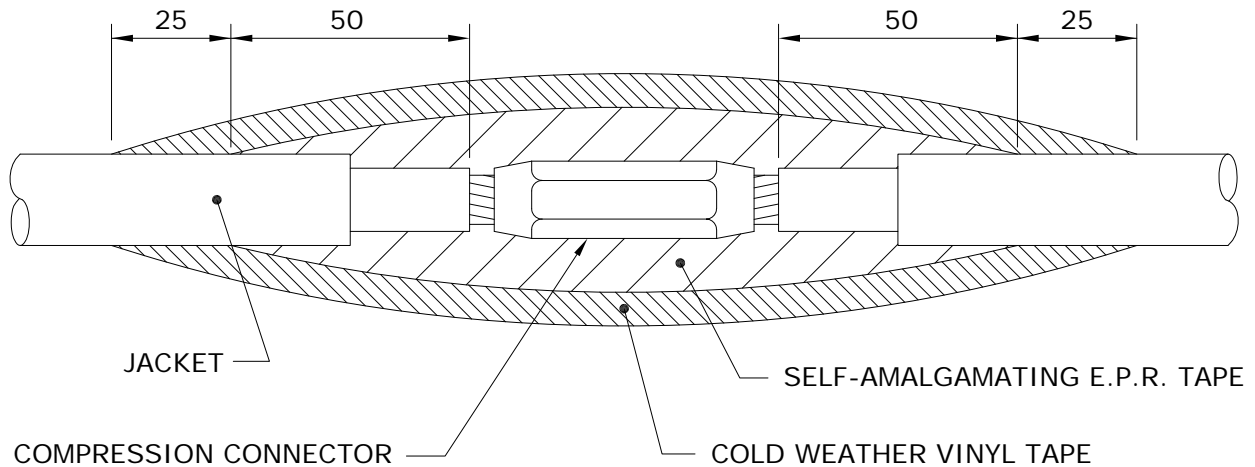


FIGURE 2

SUPERCEDES ORIGINAL SEALED BY E. WIEBE ON 97-01-08

APPROVED		REVISIONS		MANITOBA HYDRO DISTRIBUTION STANDARDS		
ORIGINAL DRAWING SEALED BY J.J.D. RINGASH 17-10-11				SPLICES FOR UNDERGROUND SECONDARY CABLES		
		17-10	2			RESEALED
		10-12	1			REVISED COMPRESSION CONNECTOR AND NOTE 2
DRAWN C.A.	CHECKED K.S.	DATE 17-10	CD 215-12		SHT 0003 OF 3	
					REV 02	

CABLE PREPARATION:

- ① REMOVE PVC (POLYVINYL CHLORIDE) JACKET TO DIMENSION "A" PLUS 25mm.
- ② REMOVE POLYETHYLENE INSULATION TO DIMENSION "A" PLUS 5mm.
USE ABRASIVE TAPE (SC. 78 50 04) ON ALL CONNECTON SURFACES.
- ③ INSTALL ROD CONNECTOR AS PER TABLE BELOW AND FIGURE 1.

CONDUCTOR SIZE	* ROD CONNECTOR STORES CODE No.	PRESS	DIE
1/0 ALUMINUM	74 27 62	Y35/MD6	CSA 22
4/0 ALUMINUM	74 27 69	Y35/MD6	CSA 24

* ROD IS FACTORY CRIMPED INTO CONNECTOR

- ④ CONNECT BARE COPPER STRANDED WIRE TO ROD CONNECTOR AS PER TABLE BELOW. USE ABRASIVE TAPE ON ALL CONNECTON SURFACES.

CONDUCTOR SIZE	CONNECTOR STORES CODE No.	PRESS	DIE
COPPER ROD TO #4 COPPER STRANDED	74 40 90	Y35/MD6	WBG
COPPER ROD TO #2 COPPER STRANDED	74 40 70	MD6	WC

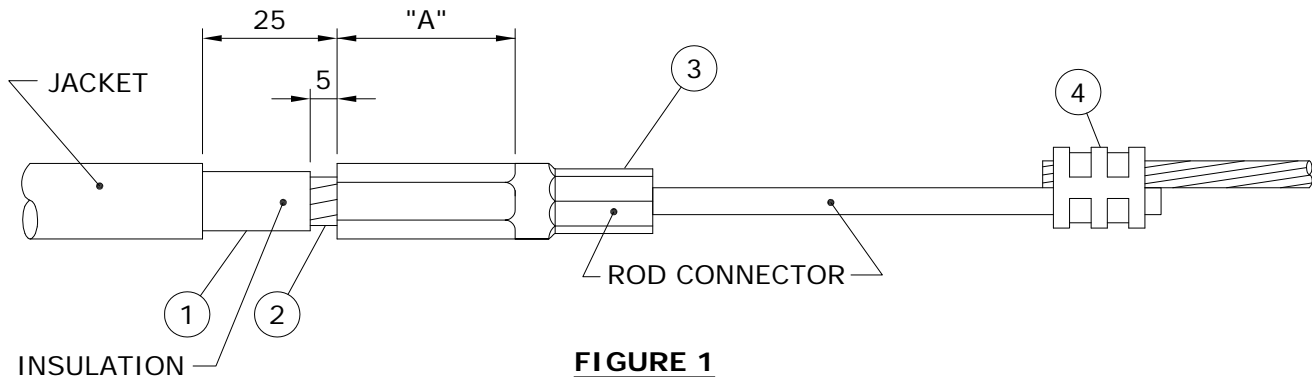


FIGURE 1

NOTE: DIMENSIONS SHOWN ARE MILLIMETRES.

APPROVED	REVISIONS		MANITOBA HYDRO DISTRIBUTION STANDARDS		
ORIGINAL DRAWING SEALED BY E.H. WIEBE 94-07-03			SPLICING SECONDARY NEUTRAL (BARE COPPER TO INSULATED ALUMINUM)		
	08-11	2			REVISED TABLE AND COMPRESSION CONNECTOR
	94-10	1			ROD CONNECTOR ADDED
DRAWN W.B./CAD	CHECKED B.H./K.C.H.	DATE 94-06	CD 215-13		
			SHT 0001 OF 2	REV 02	

TAPING:

- 5 ABRASE ROD PORTION OF ROD CONNECTOR WITH ABRASIVE TAPE AS SHOWN IN FIGURE 2.
- 6 CLEAN JACKET, INSULATION & ROD CONNECTOR WITH AN APPROVED CLEANING SOLVENT (S.C.# 43 11 95).
- 7 CUT ONE PIECE OF RUBBER MASTIC TAPE (S.C. 78 55 28) INTO EITHER A 50mm WIDE x 75mm LONG STRIP FOR 1/0 CONNECTOR OR A 50mm WIDE x 125mm LONG STRIP FOR 4/0 CONNECTOR.
- 8 APPLY THE PRECUT STRIP OF RUBBER MASTIC TAPE 1/4 STRETCHED, SHINING SIDE DOWN ONTO THE ROD AS SHOWN IN FIGURE 2.
- 9 APPLY 2 LAYERS OF HALF LAPPED 3/4 STRETCHED SELF AMALGAMATING ETHYLENE PROPYLENE RUBBER TAPE (S.C.# 78 55 23) AS SHOWN IN FIGURE 2.
- 10 APPLY 2 LAYERS OF HALF LAPPED 3/4 STRETCHED COLD WEATHER VINYL TAPE (S.C.# 78 55 98) AS SHOWN IN FIGURE 2.

NOTE:

WHEN INSTALLING A MANUFACTURED SPLICE INCLUDE STEPS 5 THRU 8 WITH THE MANUFACTURERS INSTRUCTIONS. THIS WILL PROVIDE THE PROPER INSULATION AND MOISTURE SEAL.

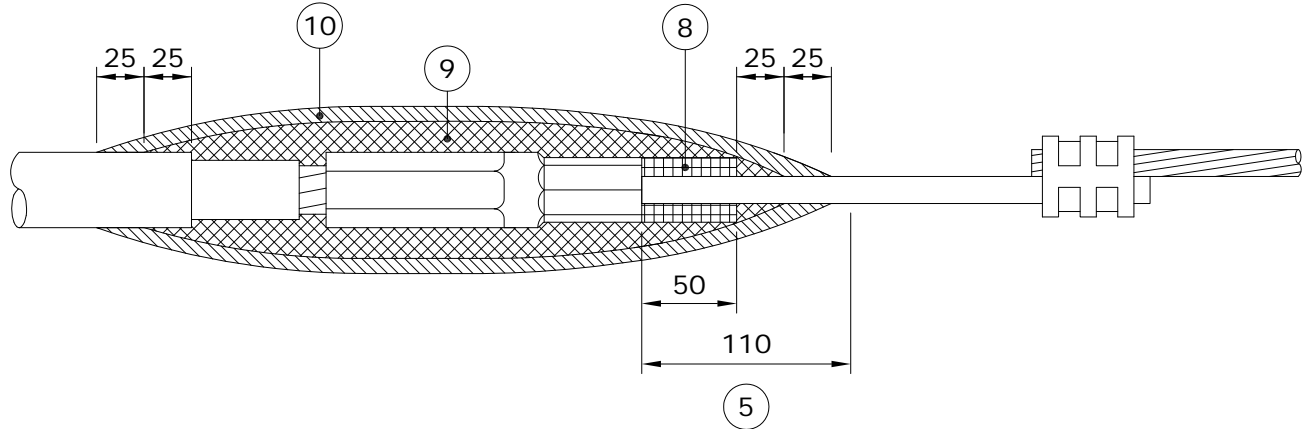
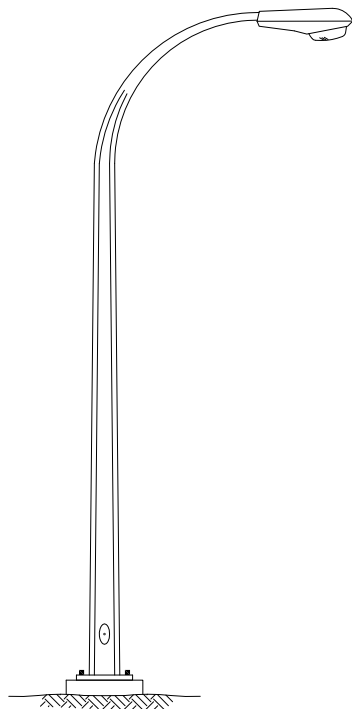


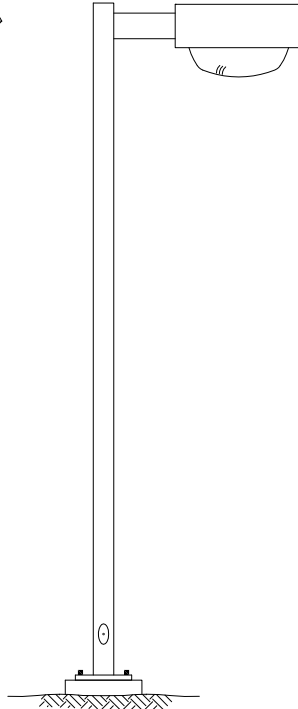
FIGURE 2

NOTE: DIMENSIONS SHOWN ARE MILLIMETRES.

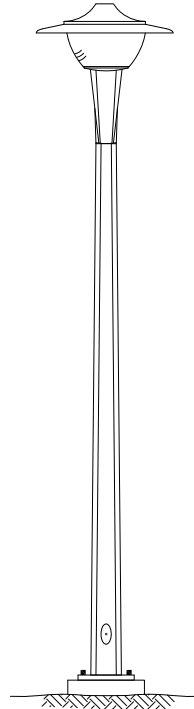
APPROVED		REVISIONS		MANITOBA HYDRO DISTRIBUTION STANDARDS		
ORIGINAL DRAWING SEALED BY E.H. WIEBE 94-07-03				SPLICING SECONDARY NEUTRAL (BARE COPPER TO INSULATED ALUMINUM)		
		08-11	2			REVISED NOTE 6 & COMPRESSION CONNECTOR
		94-10	1			TAPING PROCEDURE REVISED
DRAWN W.B./CAD	CHECKED K.C.H.	DATE 94-06	CD 215-13		SHT 0002 OF 2	
					REV 02	



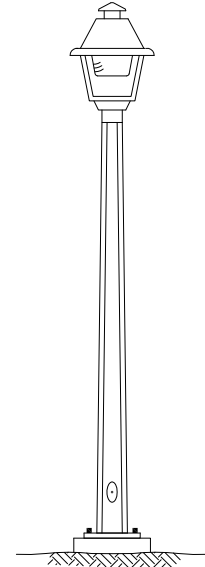
DAVIT BM
(BASE MOUNTED)



SQUARE BM
(BASE MOUNTED)



**POST-TOP
CONTEMPORARY BM**
(BASE MOUNTED)



**POST-TOP
COLONIAL BM**
(BASE MOUNTED)

POLE TYPE	COLOUR	MOUNTING HEIGHT m (ft)	ARM REACH m	BOLT SQUARE mm	BOLT CIRCLE mm	STORES CODE NO.	CABLE LENGTH m **
DAVIT BM	GALVANIZED	7.7 (25)	1.8	179	254	75 42 26	11
DAVIT BM *	GALVANIZED	9.1 (30)	2.4	197	279	75 43 30	13
DAVIT BM	GALVANIZED	10.7 (35)	3.0	206	292	75 44 36	15
DAVIT BM	GALVANIZED	13.7 (45)	3.0	243	343	75 46 45	18
SQUARE BM	DARK BRONZE	6.1 (20)	0.5	179	254	75 42 20	8
SQUARE BM	DARK BRONZE	10.7 (35)	0.5	206	292	75 45 30	14
POST-TOP BM CONTEMPORARY	GALVANIZED	6.1 (20)	N/A	179	254	75 41 22	7
POST-TOP BM COLONIAL	GALVANIZED	4.7 (15)	N/A	179	254	75 41 15	6

NOTES:

* FOR REPLACEMENT PURPOSES; NOT TO BE USED FOR NEW INSTALLATIONS.

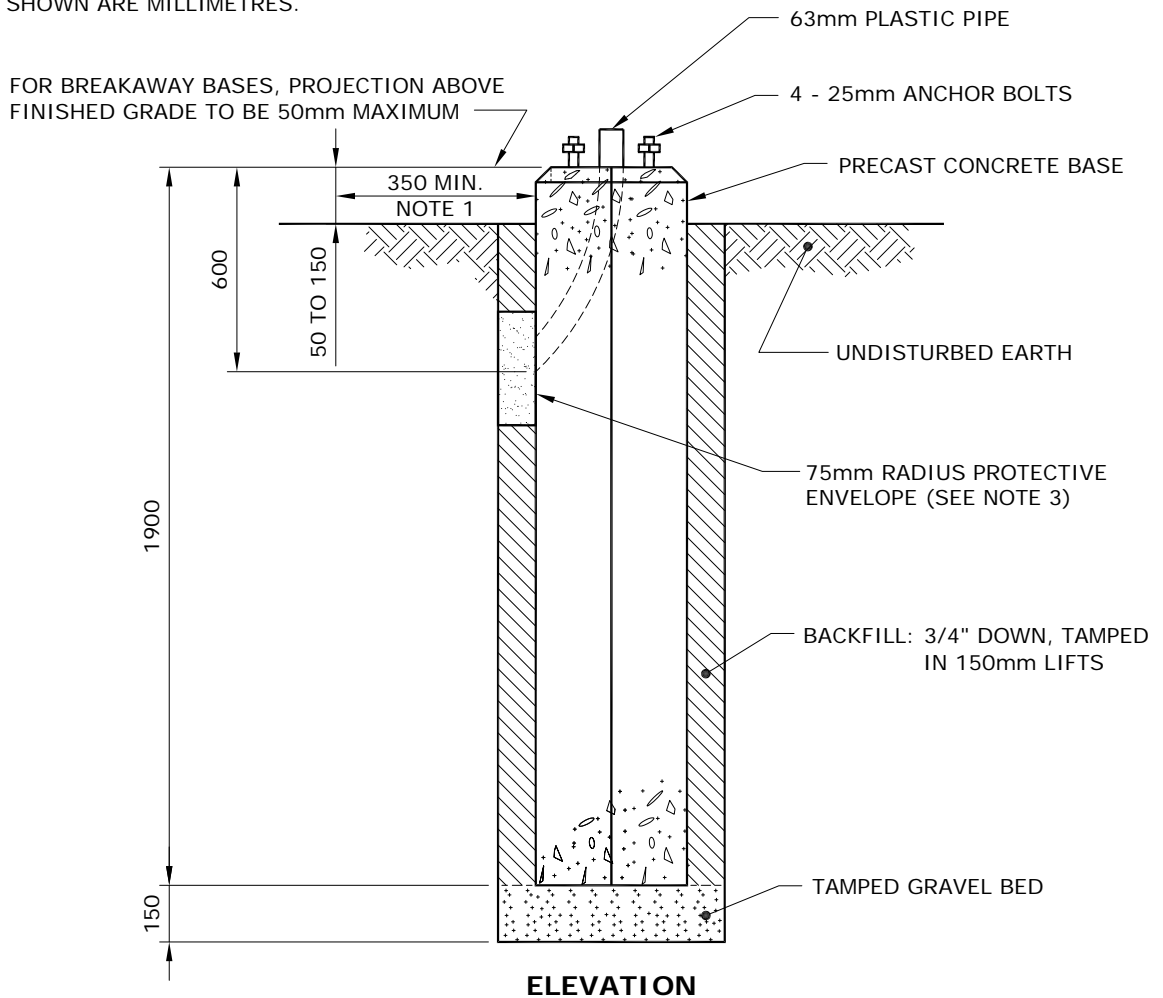
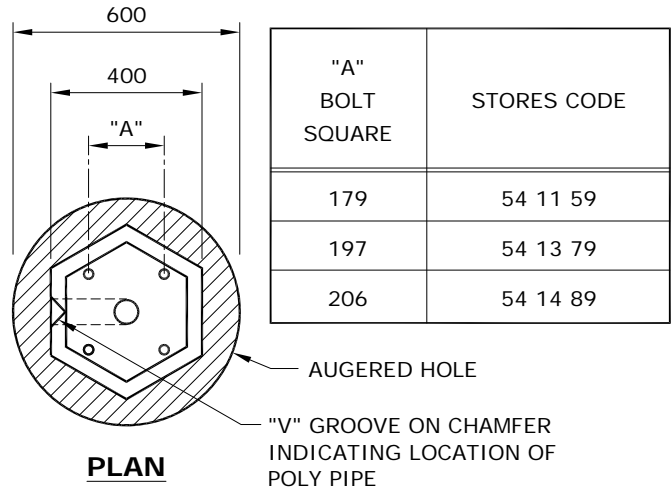
** LENGTH OF 2 CONDUCTORS #12 CABLE REQUIRED PER POLE.

APPROVED		REVISIONS		MANITOBA HYDRO DISTRIBUTION STANDARDS			
ORIGINAL DRAWING SEALED BY E.H. WIEBE 89-04-28	13-01	3	ADDED CONTEMPORARY AND COLONIAL POLES	STANDARD STEEL STREET LIGHT POLES			
	12-05	2	REVISED DRAWING & CANCELLED SHEETS 2 AND 3				
	94-09	1	DELETED ORNAMENTAL				
DRAWN W.B./CAD	CHECKED L.D./D.O.	DATE 88-06	CD 300-1		SHT	REV	
					0001 OF 1	03	

7.7 - 10.7 STREET LIGHT POLES

NOTES:

1. FOR FUTURE ACCESS TO LOWER PORTION OF PLASTIC PIPE, LOCATE "V" GROOVE SIDE OF BASE TO ROADWAY PROVIDED THAT:
 - a) A MIN. HORIZONTAL SEPARATION OF 350mm IS MAINTAINED TO ANY PAVED SURFACE OR STRUCTURE; OR
 - b) IF LESS THAN 350mm, ROTATE BASE 90°
2. ROUTE UNDERGROUND CABLES DIRECTLY INTO PLASTIC PIPE.
3. IN BACKFILL AREA, ENCASE UNDERGROUND CABLES IN A 75mm RADIUS ENVELOPE OF EXCAVATED MATERIAL OR SAND TO PROTECT CABLES. DO NOT BACKFILL WITH EXCAVATED MATERIAL OR SAND MORE THAN 1/6 OF THE WAY AROUND BASE.
4. SEE CD300-9 FOR ANCHOR ROD TIGHTENING METHOD.
5. DIMENSIONS SHOWN ARE MILLIMETRES.

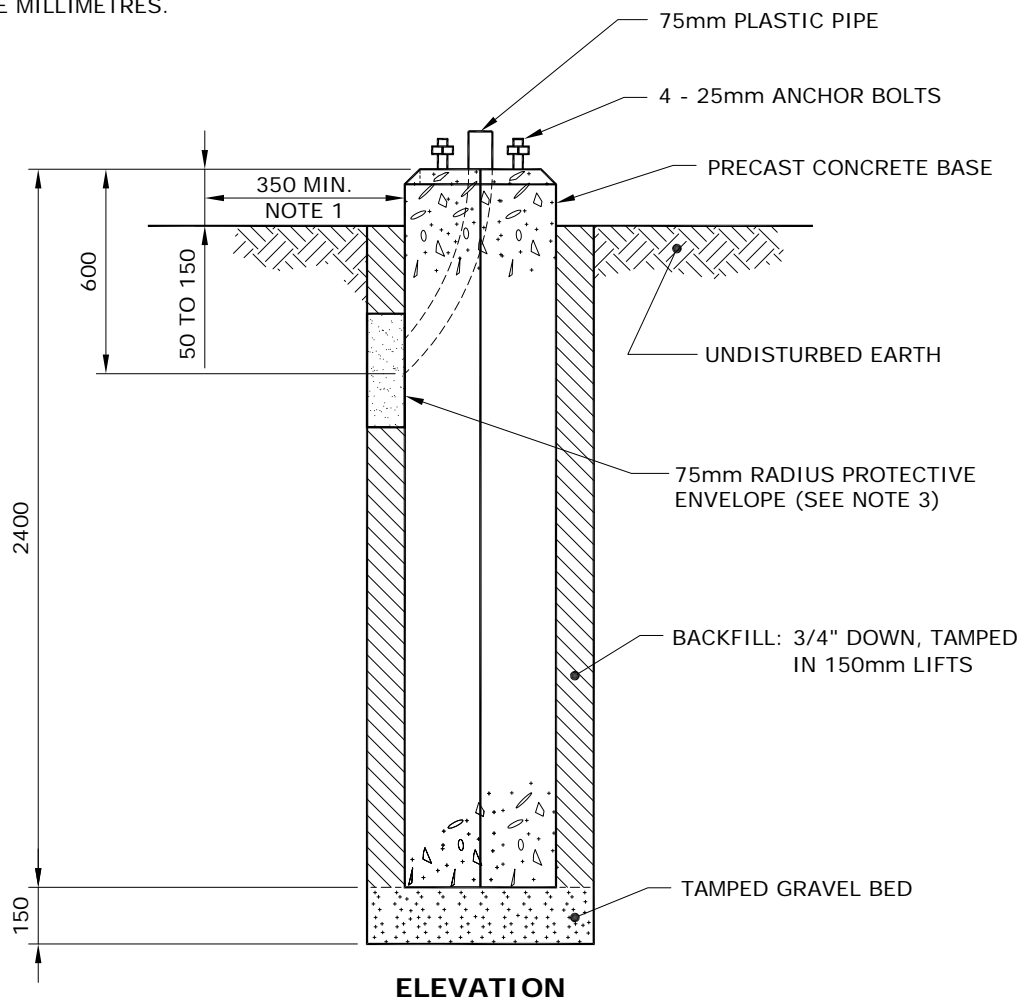
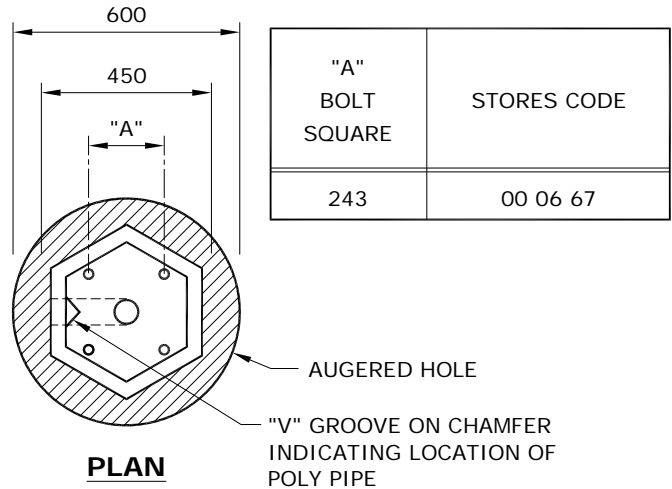


APPROVED	REVISIONS			MANITOBA HYDRO DISTRIBUTION STANDARDS			
ORIGINAL DRAWING SEALED BY E.H. WIEBE 89-04-29	10-08	3	CHANGED BACKFILL NOTES, AND ADDED SHEET 3	INSTALLATION OF PRECAST CONCRETE BASE			
	99-05	2	SHEET 2 of 2 ADDED, 7.7 - 10.7 STREET LIGHT ADDED				
	96-10	1	V-GROOVE LOCATION, POLY PIPE SIZE NOTES CHANGED				
DRAWN W.B./CAD	CHECKED L.D./K.C.H.	DATE 88-06	CD 300-6			SHT 0001 OF 3	REV 03

13.7 STREET LIGHT POLE

NOTES:

1. FOR FUTURE ACCESS TO LOWER PORTION OF PLASTIC PIPE, LOCATE "V" GROOVE SIDE OF BASE TO ROADWAY PROVIDED THAT:
 - a) A MIN. HORIZONTAL SEPARATION OF 350mm IS MAINTAINED TO ANY PAVED SURFACE OR STRUCTURE; OR
 - b) IF LESS THAN 350mm, ROTATE BASE 90°
2. ROUTE UNDERGROUND CABLES DIRECTLY INTO PLASTIC PIPE.
3. IN BACKFILL AREA, ENCASE UNDERGROUND CABLES IN A 75mm RADIUS ENVELOPE OF EXCAVATED MATERIAL OR SAND TO PROTECT CABLES. DO NOT BACKFILL WITH EXCAVATED MATERIAL OR SAND MORE THAN 1/6 OF THE WAY AROUND BASE.
4. SEE CD300-9 FOR ANCHOR ROD TIGHTENING METHOD.
5. DIMENSIONS SHOWN ARE MILLIMETRES.



APPROVED	REVISIONS	MANITOBA HYDRO DISTRIBUTION STANDARDS	
ORIGINAL DRAWING SEALED BY E.H. WIEBE 89-04-29		INSTALLATION OF PRECAST CONCRETE BASE	
	10-08	1	CHANGED BACKFILL NOTES, AND ADDED SHEET 3
DRAWN R.L.B./CAD	CHECKED L.D./K.C.H.	DATE 99-05	CD 300-6
		SHT 0002 OF 3	REV 01

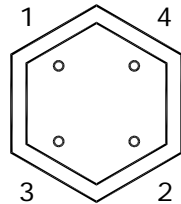
TO DEVELOP THE REQUIRED TENSION ON ANCHOR RODS, THE TURN-OF-NUT METHOD IS USED.

TURN-OF-NUT

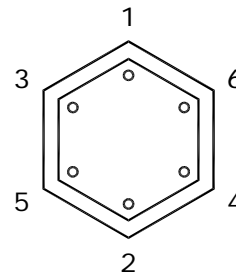
1. ENSURE ALL ANCHOR RODS AND NUTS ARE FREE OF DEBRIS AND THAT THE ANCHOR RODS ARE LUBRICATED.
2. PLACE POLE ONTO CONCRETE PILE, INSTALL WASHERS AND NUTS AND TIGHTEN UNTIL DEVELOPING A SNUG-TIGHTENED CONNECTION.

SNUG-TIGHTENED: THE TIGHTNESS THAT IS ATTAINED AFTER A FEW IMPACTS OF AN IMPACT WRENCH OR THE FULL FORCE OF A WORKER USING AN ORDINARY ONE FOOT LONG WRENCH.

3. TIGHTENING OF THE BOLTS MUST BE PERFORMED IN A MANNER THAT BRINGS THE FAYING SURFACES UP "EVENLY" AS PER THE STAR PATTERN TIGHTENING SEQUENCE.



FOUR ANCHOR BOLT PATTERN
(13.7m AND BELOW)



SIX ANCHOR BOLT PATTERN
(16.8m AND 19.8m)

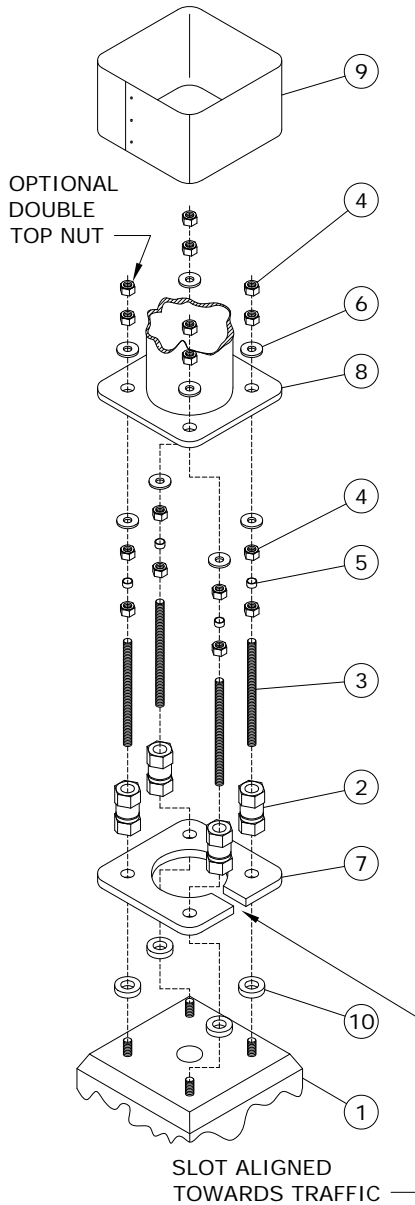
4. ENSURE THE POLE IS PLUMB AND ADD LEVELING SHIMS IF REQUIRED. SNUG-TIGHTEN THE ANCHOR BOLTS AGAIN.
5. BEVELED WASHERS ARE REQUIRED IF THE NUT CANNOT BE BROUGHT INTO FIRM CONTACT WITH THE BASE PLATE.
6. MARK THE REFERENCE LOCATION OF THE NUT AFTER SNUG-TIGHTENING THE PLUMB POLE.
7. FINAL TIGHTENING OF NUTS IS PERFORMED IN INCREMENTS AS PER THE STAR PATTERN, WITH A MINIMUM OF TWO FULL TIGHTENING CYCLES. PROPER TENSIONING IS ACHIEVED WHEN THE NUT IS ROTATED 1/3 OF A TURN BEYOND SNUG-TIGHT. THE TOLERANCE FOR THIS IS PLUS 20°.

APPROVED	REVISIONS		MANITOBA HYDRO DISTRIBUTION STANDARDS	
ORIGINAL DRAWING SEALED BY K.C. HAMILTON 10-08-13			METHOD FOR ANCHOR ROD TIGHTENING	
DRAWN C.A.	CHECKED L.D.	DATE 10-08	CD 300-9	
			SHT 0001 OF 1	REV 00

THE FOLLOWING INSTALLATION INSTRUCTIONS ARE APPLICABLE TO NEW OR EXISTING BREAKAWAY BASE INSTALLATIONS ON CONCRETE BASES.

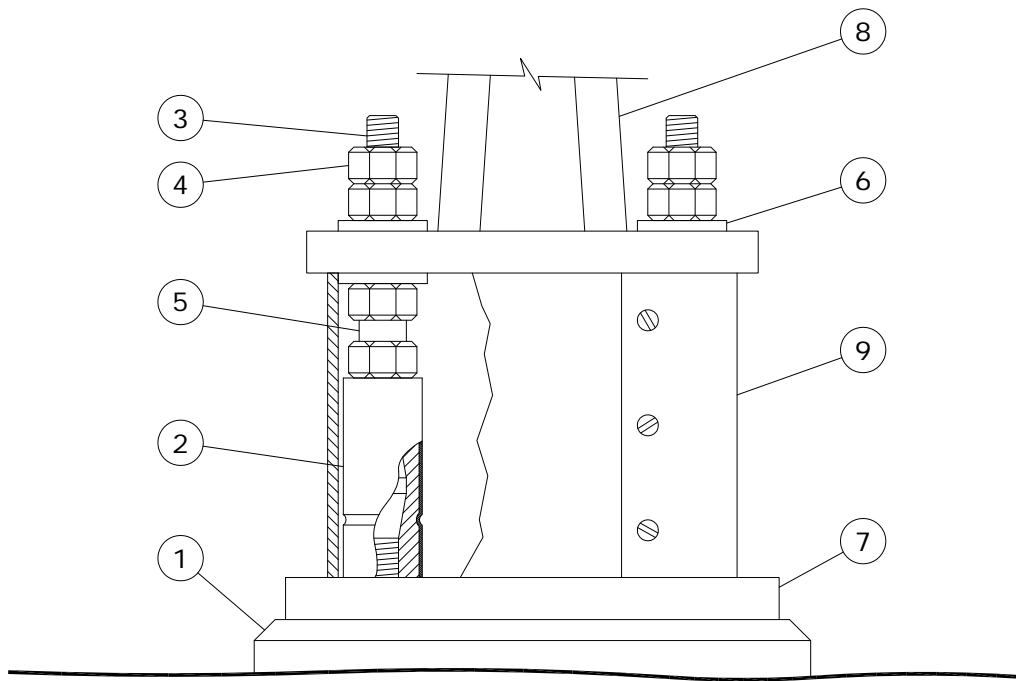
PROCEDURE:

1. CLEAN THE TOP SURFACE OF THE CONCRETE BASE AND ENSURE SURFACE IS FLAT AND LEVEL WITH NO SPALLING OR OTHER SURFACE CONDITIONS THAT MAY AFFECT THE PERFORMANCE OF THE COUPLERS.
 2. THE PREFERRED MAXIMUM HEIGHT ABOVE LEVEL GRADE TO THE BASE OF THE COUPLER IS 50mm OR LESS. THIS PROVIDES THE RECOMMENDED CLEARANCE IN THE EVENT OF A COLLISION WITH THE STRUCTURE.
 3. MEASURE THE HEIGHT OF THE THREADED ANCHOR BOLTS ABOVE THE REACTION PLATE AND VERIFY THIS MEASUREMENT IS BETWEEN 1 1/4" AND 1 5/8".
 4. IF THE EXPOSED LENGTH OF THE ANCHOR BOLT IS GREATER THAN THE RECOMMENDED LENGTH, OPTIONAL SPACERS MAY BE USED (ITEM 10).
 5. IT IS RECOMMENDED THAT THE THREADED ANCHOR BOLT-COUPLER CONNECTION BE COATED WITH RUST-INHIBITING GREASE. THIS WILL FACILITATE REMOVAL OF THE COUPLER WHEN IT IS NECESSARY. A SUITABLE PRODUCT FOR THIS APPLICATION IS ARCAN 1, A WHITE, WATER RESISTANT GREASE MARKETED BY IMPERIAL OIL LTD.
 6. THREAD THE COUPLER ASSEMBLY ON EACH ANCHOR BOLT (IF THE COUPLER ASSEMBLY UPPER STUD BECOMES LOOSE AS A RESULT OF HANDLING, ENSURE THAT THE STUD IS ENGAGED AT LEAST 38mm, BUT NOT MORE THAN 44mm IN THE COUPLER BEFORE LOCKING WITH THE LOCK NUT.)
 7. SNUG UP EACH COUPLER AGAINST THE CONCRETE BASE. TIGHTEN EACH COUPLER ALTERNATELY AND INCREMENTALLY, BY MEANS OF A WRENCH OR A PIPE WRENCH ON THE BOTTOM HEX OF THE COUPLER. USE THE TURN-OF-NUT METHOD AS PER CD300-9.
- NOTE: TIGHTENING THE COUPLER ON THE TOP HEX MAY WEAKEN THE COUPLER AT THE MACHINED GROOVE AND MAKE THE COUPLER UNUSEABLE.**
8. BRING THE LEVELING NUTS (AND HENCE, THE LOWER WASHERS) INTO A LEVEL PLANE AS DESIRED MAKING CERTAIN THAT AT LEAST ONE PLASTIC SPACER REMAINS IN CONTACT WITH ITS LEVELING NUT AND ITS LOCK NUT.
 9. PLACE THE POLE BASE OVER THE PROTRUDING STUDS, AND SECURE THE POLE WITH THE UPPER WASHERS AND RETAINING NUTS.
 10. WITH THE POLE IN THE REQUIRED VERTICAL ORIENTATION, AND BEFORE FINAL TIGHTENING, ENSURE THAT ALL LEVELING NUTS, RETAINING NUTS AND UPPER AND LOWER WASHERS ARE MADE SNUG AGAINST THE POLE BASE PLATE.
 11. TIGHTEN THE RETAINING NUTS WITH THE TURN-OF-NUT METHOD AS PER CD300-9.
 12. MAKE THE NECESSARY WIRING CONNECTIONS, AND INSTALL THE PROTECTIVE SHROUD.



SUPERCEDES ORIGINAL SEALED BY E. WIEBE ON 89-04-28

APPROVED		REVISIONS		MANITOBA HYDRO DISTRIBUTION STANDARDS	
ORIGINAL DRAWING SEALED BY D.R. ORR 16-06-27	16-06	4	CORRECTED TYPO, RESEALED	BREAKAWAY BASE INSTALLATION	
	10-08	3	UPDATED STANDARD, REVISED TITLE, AND ADDED SHEET 2		
	07-06	2	REVISED NOTE 4 AND ADDED NOTE 5		
DRAWN C.A.	CHECKED L.D.	DATE 16-06		CD 300-10	
				SHT 0001 OF 2	REV 04



BILL OF MATERIAL

ITEM NO.	DESCRIPTION	QUANTITY
1	CONCRETE BASE	1
2	COUPLING	4
3	1" - 8 UNC GALV. STUD	4
4	1" - 8 UNC GALV. HEAVY HEX NUT	16
5	SPACER	4
6	1" GALV. FLAT WASHER	8
7	REACTION PLATE	1
8	POLE	1
9	SHROUD ASSEMBLY	1
10	GALV. SHIM	4

APPROVED ORIGINAL DRAWING SEALED BY K.C. HAMILTON 10-08-13	REVISIONS		MANITOBA HYDRO DISTRIBUTION STANDARDS		
			BREAKAWAY BASE INSTALLATION		
DRAWN C.A.	CHECKED L.D.	DATE 10-08	CD 300-10	SHT 0002 OF 2	REV 00

STREET LIGHT POLES *

POLE TYPE	MOUNTING HEIGHT m (ft)	MATERIAL	WEIGHT *, ** kg (±10%)
STRAIGHT SHAFT	10.7 (35)	ALUMINUM	91
DAVIT (DB)	11.3 (37)	CONCRETE	998
DAVIT (DB)	13.7 (45)	CONCRETE	1087
POST TOP (DB)	6.1 (20)	CONCRETE	544
DAVIT	7.7 (25)	STEEL	97
DAVIT	9.1 (30)	STEEL	125
DAVIT	10.7 (35)	STEEL	157
DAVIT	13.7 (45)	STEEL	219
DAVIT	16.8 (55)	STEEL	330
DAVIT	19.8 (65)	STEEL	428
POST TOP	4.7 (15)	STEEL	53
POST TOP	6.1 (20)	STEEL	68
STRAIGHT SHAFT	7.7 (25)	STEEL	90
STRAIGHT SHAFT	9.1 (30)	STEEL	113
STRAIGHT SHAFT	10.7 (35)	STEEL	172
STRAIGHT SHAFT	13.7 (45)	STEEL	220
STRAIGHT SHAFT	16.8 (55)	STEEL	388
STRAIGHT SHAFT	19.8 (65)	STEEL	557

* ALL POLES ARE BASE MOUNTED EXCEPT CONCRETE.

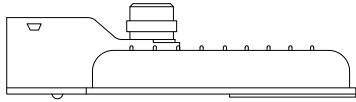
** WEIGHTS DO NOT INCLUDE ARMS OR LUMINAIRES.

*** WEIGHTS GATHERED FROM MANUFACTURER'S DRAWING.

BASES

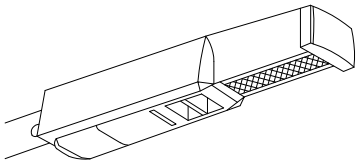
TYPE	WEIGHT kg (±10%)
179	605
197	605
206	605
243	970
418	2151

APPROVED		REVISIONS		MANITOBA HYDRO DISTRIBUTION STANDARDS			
ORIGINAL DRAWING SEALED BY D.R. ORR 16-01-14		18-04 1		RIGGING WEIGHTS OF STREET LIGHT COMPONENTS			
DRAWN C.A.	CHECKED J.R.	DATE 16-01	CD 300-18			SHT 0001 OF 1	REV 01



LED ROADWAY LUMINAIRE

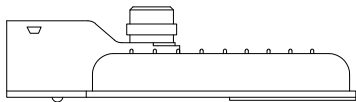
LED ROADWAY LUMINAIRES			
LUMINAIRE WATTAGE (NOMINAL)	REPLACES (HPS)	CIIC	
		GREY	BLACK
40 W LED	70 W HPS	05 15 44	05 15 71
60 W LED	100 W HPS	05 15 45	05 15 73
90 W LED	150 W HPS	05 15 47	05 15 74
150 W LED	250 W HPS	05 15 48	05 15 75
240 W LED	400 W HPS	05 15 49	05 15 76



LED LANE LUMINAIRE

LED LANE LUMINAIRES		
LUMINAIRE WATTAGE (NOMINAL)	REPLACES (HPS)	CIIC
50 W LED	70 W HPS	05 15 50

LED LANE LUMINAIRES ARE AVAILABLE WITH GREY COATING ONLY.



LED DUSK-TO-DAWN LUMINAIRE

LED DUSK-TO-DAWN (AREA) LUMINAIRES		
LUMINAIRE WATTAGE (NOMINAL)	REPLACES (HPS)	CIIC
60 W LED	100 W HPS	05 15 51
90 W LED	150 W HPS	05 15 52

LED DUSK-TO-DAWN LUMINAIRES ARE AVAILABLE WITH GREY COATING ONLY.

- ALL LED LUMINAIRES AUTOMATICALLY ADJUST FOR EITHER A 120V OR 240V SUPPLY.
- ALL LED LUMINAIRES COME WITH A PHOTOCCELL RECEPTACLE.

APPROVED		REVISIONS		MANITOBA HYDRO DISTRIBUTION STANDARDS	
ORIGINAL DRAWING SEALED BY D.R. ORR 15-02-11		16-12 1 REVISED NOTES		STANDARD LED LUMINAIRES	
		DATE 15-02		CD 300-24	
				SHT 0001 OF 2	
				REV 01	

TRENCH AND PLOW-IN LOCATION

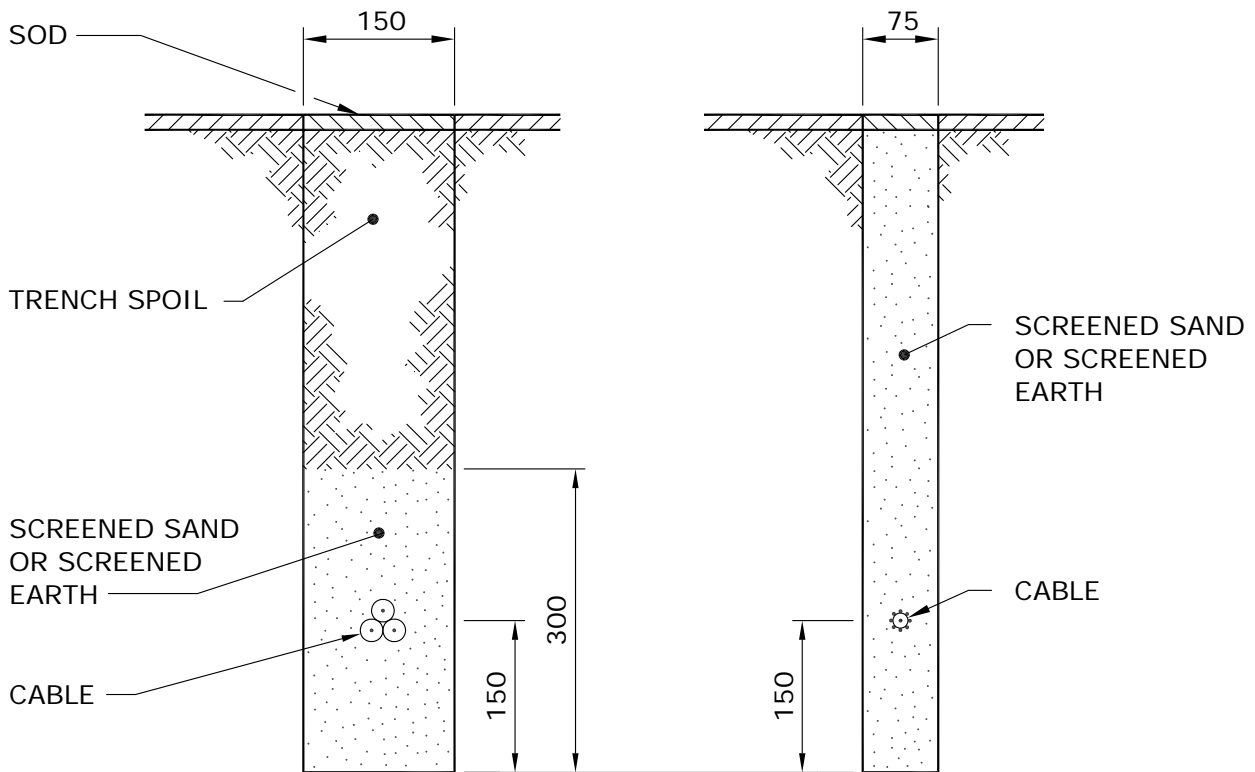
GENERALLY, THE TRENCH LOCATION WILL DICTATE THE LOCATION OF THE LIGHT STANDARDS. CONTACT SHALL BE MADE WITH THE GOVERNING MUNICIPAL AUTHORITY TO DETERMINE THEIR SET BACK REQUIREMENTS. CONTACT SHALL ALSO BE MADE WITH THE CITY OF WINNIPEG UNDERGROUND STRUCTURES OR THE INDIVIDUAL UTILITIES OUTSIDE WINNIPEG TO DETERMINE THE EXISTENCE AND EXACT LOCATION OF OTHER UTILITIES PLANT. THIS INFORMATION WILL BE INCLUDED ON THE WORK ORDER PLANS.

DEPTH OF BURIAL

THE CABLE SHALL BE BURIED BELOW THE SURFACE OF THE EARTH A MINIMUM OF 600mm IN SODDED AREAS AND 1000mm IN ROADWAYS.

TRENCH DETAILS

TYPICAL TRENCH DETAILS FOR SODDED AREAS ARE SHOWN BELOW, FOR TRENCH DETAILS UNDER ROADWAYS REFER TO DRAWING CD205-14. SEE NOTES ON SHEET 2 of 2.



NOTE: DIMENSIONS SHOWN ARE MILLIMETRES.

APPROVED		REVISIONS		MANITOBA HYDRO DISTRIBUTION STANDARDS	
ORIGINAL DRAWING SEALED BY E.H. WIEBE 89-04-28	96-01	3	ROADWAY DEPTH ADDED	PLOWING AND TRENCHING DETAILS FOR UNDERGROUND STREET LIGHT CIRCUITS	
	95-09	2	BURIAL DEPTH NOTE ADDED		
	94-04	1	COMBINED WITH DWG. CD305-2		
DRAWN W.B./CAD	CHECKED	DATE 88-07	CD 305-1		SHT 0001 OF 2
					REV 03

NOTES:

1. FOR TYPICAL TRENCH DETAIL INSTALLATION UNDER ROADWAYS, REFER TO DRAWING CD205-14.
2. THESE ARE ALTERNATIVE TRENCH WIDTHS. A 75mm TRENCH IS PREFERABLE WHERE THE GROUND IS FIRM AND A CLEAN CUT CAN BE MADE. A 150mm TRENCH IS PREFERABLE WHERE THE GROUND IS TOO LOOSE TO MAINTAIN A FIRM TRENCH WALL.
3. THE CABLES INDICATED IN THE VIEWS CAN BE USED IN EITHER TRENCH.
4. THE 75mm TRENCH SHALL BE BACKFILLED WITH SCREENED SAND OR SCREENED EARTH.
5. THE 150mm TRENCH SHALL BE BACKFILLED WITH THE TRENCH SPOIL IF IT IS FREE FROM ROCKS OR DEBRIS. IF THE TRENCH SPOIL CONTAINS ROCKS OR DEBRIS, SCREENED SAND OR SCREENED EARTH SHALL BE INSTALLED AS SHOWN.

APPROVED		REVISIONS		MANITOBA HYDRO DISTRIBUTION STANDARDS		
ORIGINAL DRAWING SEALED BY E.H. WIEBE 89-04-28				PLOWING AND TRENCHING DETAILS FOR UNDERGROUND STREET LIGHT CIRCUITS		
		96-01	2			NOTES REVISED
		94-04	1			COMBINED WITH DWG. CD305-2
DRAWN W.B./CAD	CHECKED	DATE 88-07	CD 305-1		SHT 0002 OF 2	
					REV 02	

1. **GENERAL**

PLOWED-IN CABLES SHALL BE PULLED TO 1m ABOVE GRADE AT EACH STREET LIGHT STANDARD LOCATION. THE CABLE DEPTH SHALL BE MAINTAINED AT THE 600mm PLOW DEPTH AS CLOSE AS POSSIBLE TO THE STREET LIGHT STANDARD LOCATION BEFORE RAISING THE PLOW. THE PLOW SHALL BE RETURNED TO THE 600mm PLOW DEPTH AS CLOSE AS POSSIBLE TO THE CENTRE LINE OF THE STREET LIGHT STANDARD LOCATION.

CABLES LAID IN TRENCHES SHALL HAVE SUFFICIENT SLACK TO ALLOW FOR FUTURE MOVEMENT OR SETTLING OF THE TRENCH FLOOR. CABLES SHALL PROJECT 1m ABOVE GRADE AT EACH LOCATION.

2. **USE OF POLYETHYLENE PIPE**

2.1 WHERE CABLES ARE INSTALLED UNDER EXISTING PAVEMENT, POLYETHYLENE PIPE SHALL BE INSTALLED TO PROTECT THE CABLES IF THE HOLE IS AUGERED OR PUSHED THROUGH MATERIAL CONTAINING ROCKS, STONES, OR DEBRIS.

2.2 AT THE JUNCTION OF THE MAIN TRENCH AND THE STREET OR DRIVEWAY CROSSING, THE BOTTOM OF THE TRENCH SHALL BE BACKFILLED AND TAMPED TO THE LEVEL OF THE POLYETHYLENE PIPES TO PREVENT SHARP BENDS IN THE CABLE AND TRAPPING OF WATER IN THE PIPE.

3. **SPLICES - UNDERGROUND CABLES**

UNDERGROUND STREET LIGHT CABLES (i.e. #4 ALUMINUM CONCENTRIC NEUTRAL CABLE AND 1/0 TRIPLEXED CABLE) ARE TO BE SPLICED USING AN APPROPRIATE COMPRESSION SLEEVE (SEE DRAWING CD210-21) AND THE SPLICE IS TO BE INSULATED USING ONE OF THE FOLLOWING METHODS:

- 1) RAYCHEM RAYVOLVE SPLICE
- 2) PRE-STRETCHED INSULATING TUBING SPLICE
- 3) HEAT SHRINK INSULATING TUBING SPLICE
- 4) TAPED SPLICE

FOR COMPLETE INSTRUCTIONS REGARDING THE ABOVE SPLICES, REFER TO DRAWING CD215-12.

APPROVED		REVISIONS		MANITOBA HYDRO DISTRIBUTION STANDARDS			
ORIGINAL DRAWING SEALED BY E.H. WIEBE 89-04-28		94-04 1		DWG. REFERENCE CHANGED			
DRAWN W.B./CAD	CHECKED W.C.	DATE 88-07	CD 310-1			SHT	REV
						0001 OF 2	01

4. **CABLE END CAPS**

STREET LIGHT CABLES WHICH ARE NOT GOING TO BE SPLICED OR TERMINATED IMMEDIATELY FOLLOWING INSTALLATION SHALL BE CUT SQUARE AND SEALED WITH AN END CAP. REFER TO DRAWING CD215-21 FOR DETAILS.

5. **GROUNDING OF STREET LIGHT STANDARDS**

5.1 ALL STREET LIGHT STANDARDS SHALL BE GROUNDED BY CONNECTING THE NEUTRAL TO THE GROUND STUD INSIDE THE STANDARD. REFER TO DRAWING CD310-4 FOR DETAILS.

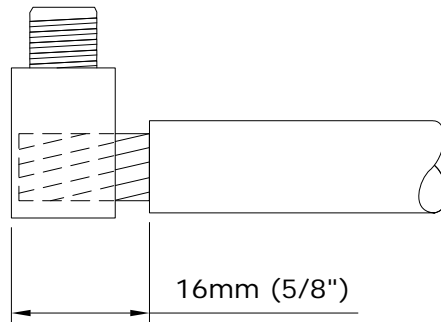
5.2 A GROUND ROD SHALL BE INSTALLED AND CONNECTED TO THE GROUND STUD AT THE LAST STANDARD ON THE STREET LIGHT CIRCUIT.

APPROVED		REVISIONS		MANITOBA HYDRO DISTRIBUTION STANDARDS	
ORIGINAL DRAWING SEALED BY E.H. WIEBE 89-04-28		94-04 1 DWG. REFERENCE CHANGED		INSTALLATION OF STREET LIGHT CABLES	
W.B./CAD		W.C.		DATE	
				88-07	
CD 310-1				SHT	
				0002 OF 2	
				01	

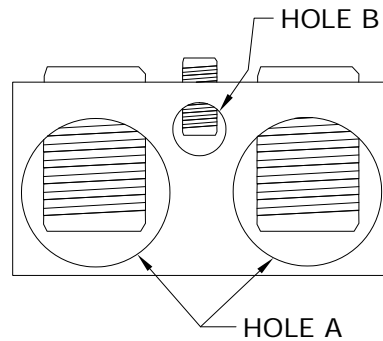
RAYCHEM GELCAP CIIC# 04-29-36

GENERAL INSTRUCTIONS:

1. REMOVE 16mm (5/8") OF INSULATION AND CLEAN EXPOSED ENDS.



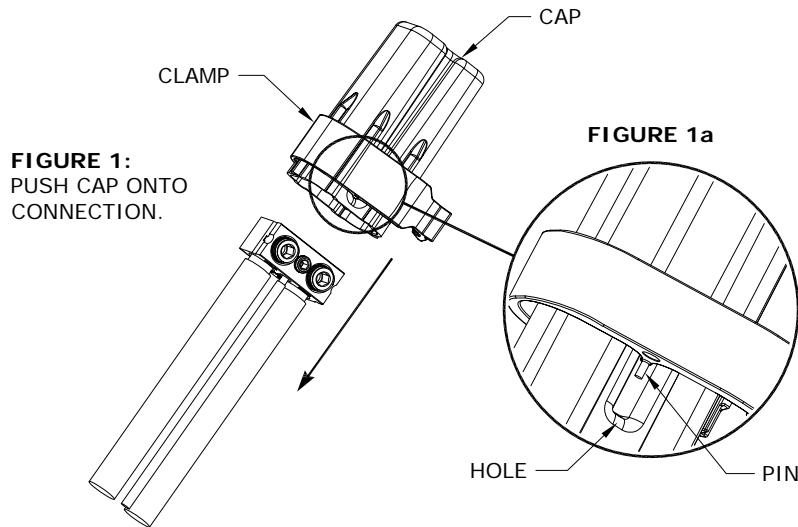
2. INSERT CONDUCTORS INTO CORRECT HOLES AND TORQUE AS SHOWN:



HOLE A		HOLE B	
WIRE RANGE	RECOMMENDED TORQUE VALUES	WIRE RANGE	RECOMMENDED TORQUE VALUES
#14 - 2/0 • STREET LIGHT CIRCUIT CABLES • GROUNDING CONNECTIONS • CONCENTRIC NEUTRAL • FUSE HOLDER WIRE	14 - 20 N-m (120 - 180 in-lbs)	#14 - #6 • LAMP LEADS	14 - 17 N-m (120 - 150 in-lbs)

APPROVED		REVISIONS		MANITOBA HYDRO DISTRIBUTION STANDARDS		
ORIGINAL DRAWING SEALED BY J.J.D. RINGASH 18-03-05				RAYCHEM GELCAP SPLICE		
DRAWN	CHECKED	DATE	CD 310-3		SHT	REV
C.A.	L.D.	17-11			0001 OF 3	00

- INSTALL CLAMP ON CAP. ENSURE THE TWO PINS ON THE BOTTOM EDGE OF THE CLAMP MATE WITH THE HOLES OF THE CAP AS SHOWN IN FIGURE 1a BELOW.



- INSTALL CAP BY HOLDING ALL WIRES AND PUSHING THE CAP OVER THE CONNECTION ASSEMBLY UNTIL IT GOES NO FURTHER AS SHOWN IN FIGURE 1 ABOVE.
- SNAP CLAMP CLOSED. IF NECESSARY, USE PLIERS TO SNAP CLAMP CLOSED AS SHOWN IN FIGURE 2 BELOW.

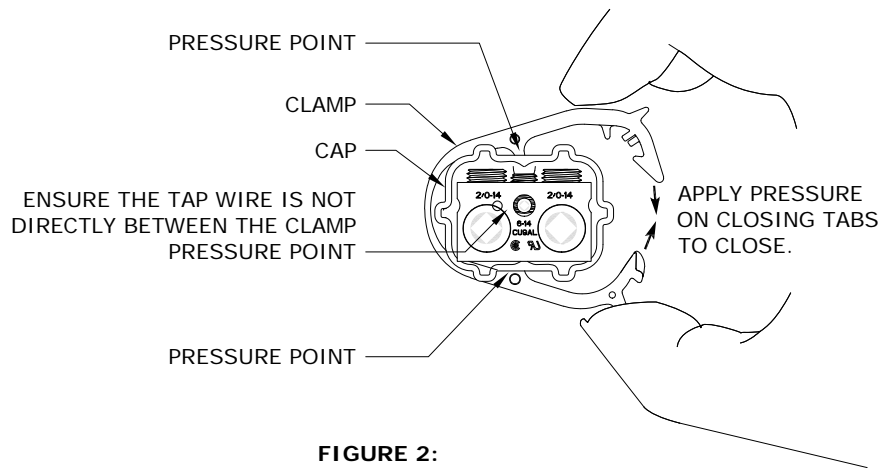
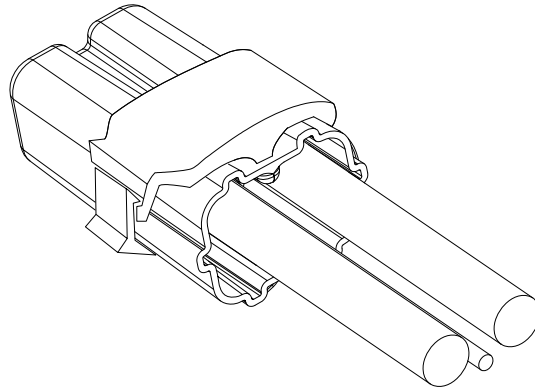


FIGURE 2:
CLAMP PRESSURE POINTS SHOULD FIT INTO OPPOSING GROOVES OF CAP AND APPLY PRESSURE BETWEEN CABLES. SNAP CLAMP CLOSED.

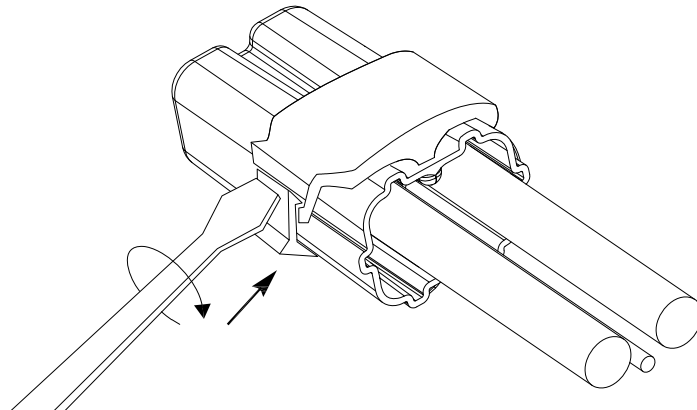
APPROVED	REVISIONS		MANITOBA HYDRO DISTRIBUTION STANDARDS	
ORIGINAL DRAWING SEALED BY J.J.D. RINGASH 18-03-05			RAYCHEM GELCAP SPLICE	
DRAWN C.A.	CHECKED L.D.	DATE 17-11		

CD 310-3

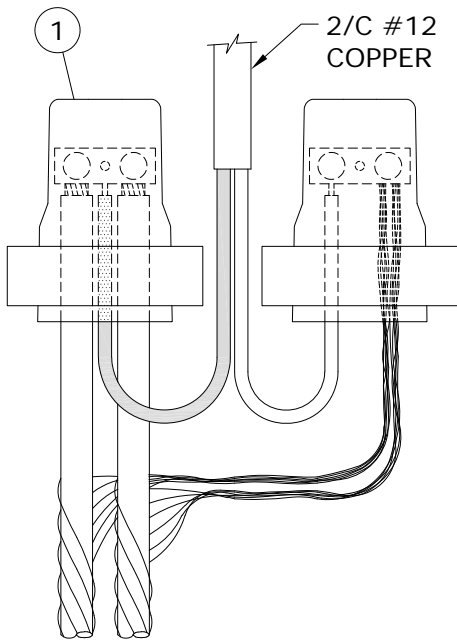
6. INSPECT THE INSTALLATION BY GENTLY PULLING ON THE CAP ENSURING IT IS LOCKED IN PLACE AND COVERS CONNECTOR AND BARE CONDUCTOR. THERE SHOULD BE NO EXPOSED METAL. ENSURE TAP CABLE IS NOT CAUGHT BETWEEN PRESSURE POINTS OF CLAMP. INSTALLATION IS COMPLETE.



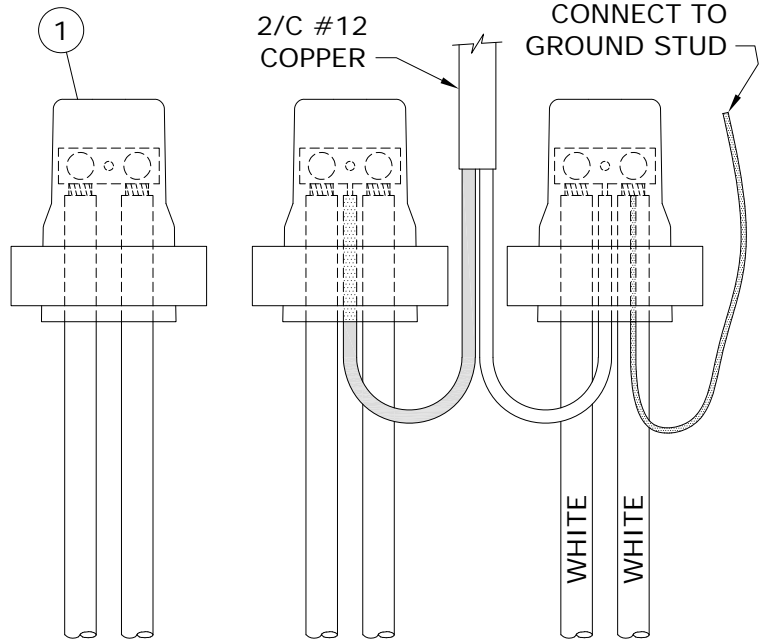
7. TO REMOVE, INSERT SCREWDRIVER BETWEEN THE CLOSING TABS AND TWIST TO OPEN THE CLAMP. REMOVE CAP SLOWLY FROM CONNECTION ALLOWING GEL TO REMAIN IN CAP.



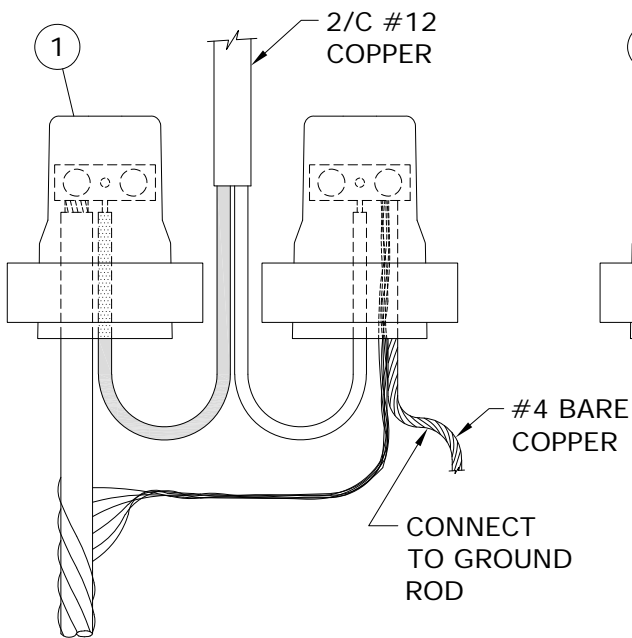
APPROVED		REVISIONS		MANITOBA HYDRO DISTRIBUTION STANDARDS	
ORIGINAL DRAWING SEALED BY J.J.D. RINGASH 18-03-05				RAYCHEM GELCAP SPLICE	
DRAWN C.A.	CHECKED L.D.	DATE 17-11	CD 310-3		
					SHT 0003 OF 3



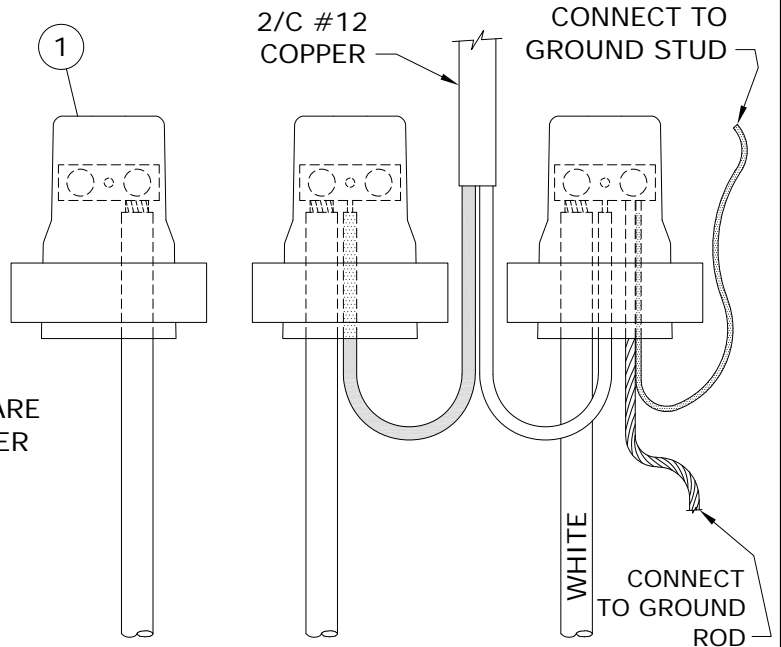
**No. 4 ALUMINUM C/N CABLE
(TYPICAL FEED THROUGH)**



**1/0 ALUMINUM TRIPLEX CABLE
(TYPICAL FEED THROUGH)**



**No. 4 ALUMINUM C/N CABLE
(TYPICAL END OF CIRCUIT)**



**1/0 ALUMINUM TRIPLEX CABLE
(TYPICAL END OF CABLE)**

SUPERCEDES ORIGINAL SEALED BY E. WIEBE ON 89-04-28

APPROVED		REVISIONS		MANITOBA HYDRO DISTRIBUTION STANDARDS	
ORIGINAL DRAWING SEALED BY J.J.D. RINGASH 18-05-11	18-04	2	ADDED SHT 3 & 4, MOVED PREVIOUS INFO FROM SHT1 TO SHT3, ADDED NEW GELCAP, DWG, REVISED TITLE, RESEALED	CONNECTION DETAIL IN STREET LIGHT STANDARD	
	94-04	1	CONN. REVISED DUE TO INSUL. NEUTRAL		
DRAWN C.A.	CHECKED L.D.	DATE 18-04		CD 310-4	

BILL OF MATERIAL			
ITEM No.	DESCRIPTION	STORES CODE No.	
		FOR USE WITH #4 AL. C/N	FOR USE WITH 1/0 AL. TRIPLEX
1	GEL CAP	04-29-36 (2 REQUIRED)	04-29-36 (3 REQUIRED)

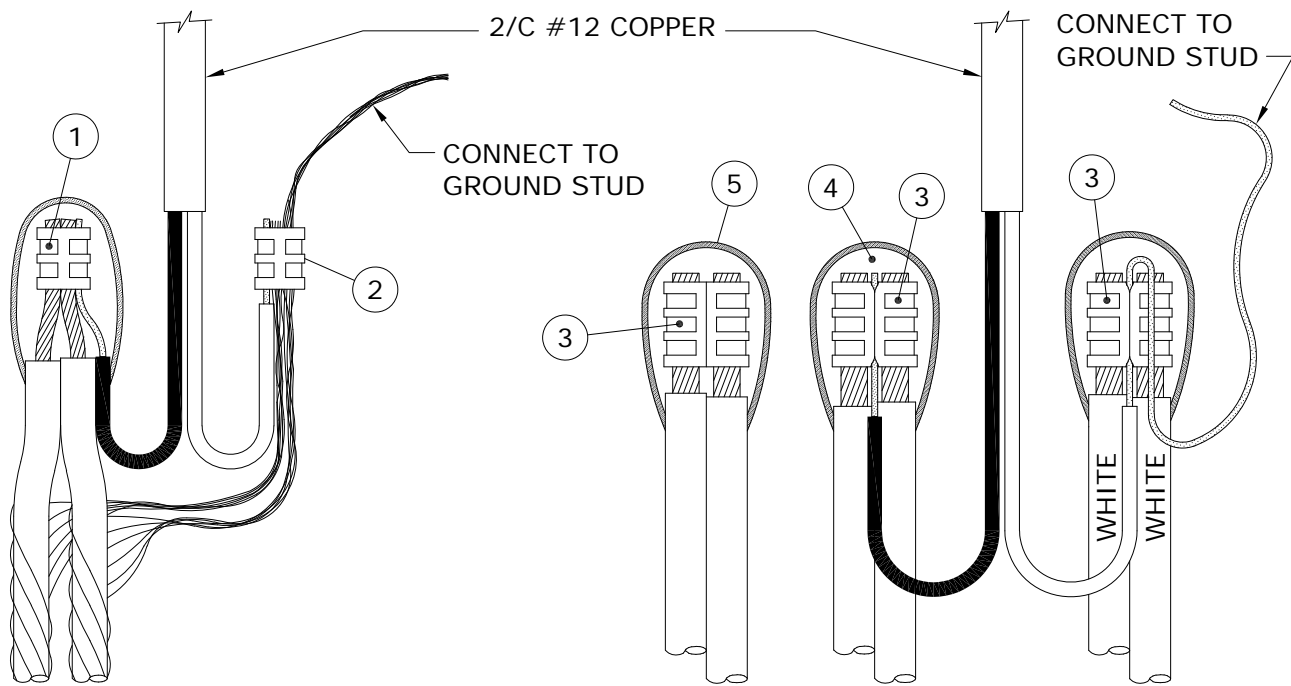
NOTES:

1. LEAVE SUFFICIENT SLACK ON CONDUCTORS TO ALLOW REMOVAL FROM HANDHOLE FOR MAINTENANCE.
2. REFER TO DRAWING CD310-3 FOR GEL CAP INSTALLATION INSTRUCTIONS.

SUPERCEDES ORIGINAL SEALED BY E. WIEBE ON 94-07-03

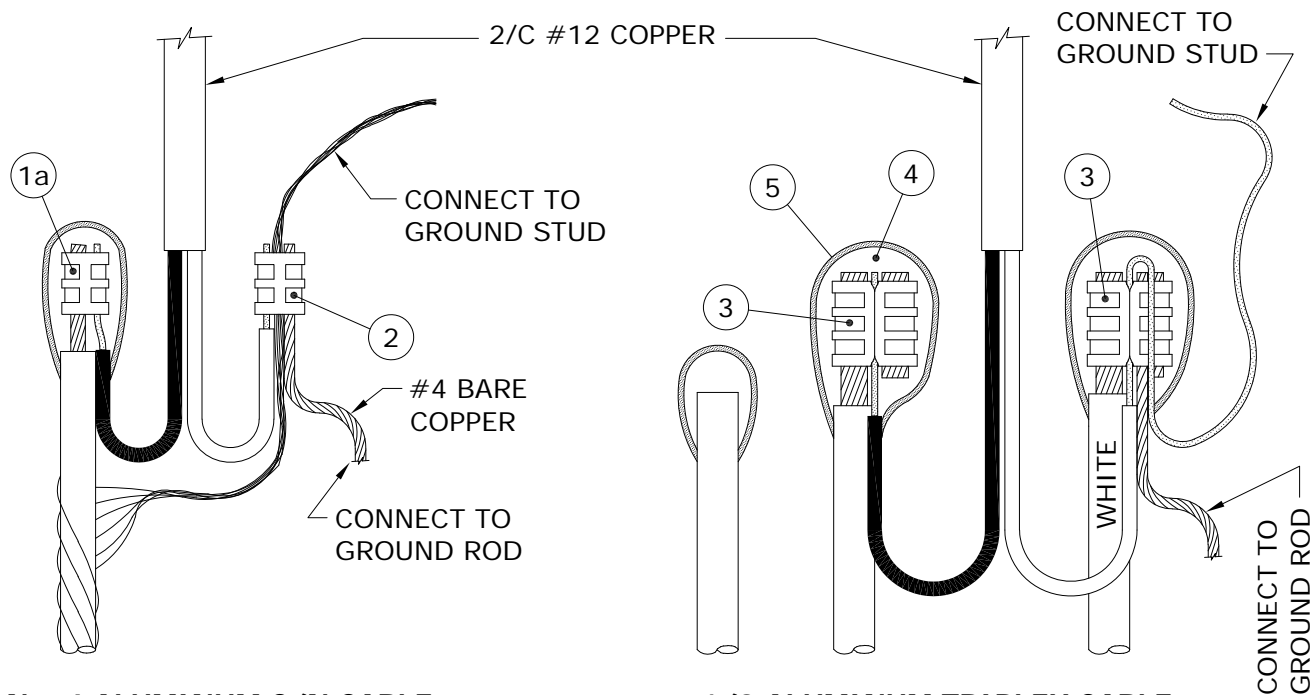
APPROVED		REVISIONS		MANITOBA HYDRO DISTRIBUTION STANDARDS	
ORIGINAL DRAWING SEALED BY J.J.D. RINGASH 18-05-11		18-04 1 ADDED SHT 3 & 4, MOVED PREVIOUS INFO FROM SHT2 TO SHT4, ADDED NEW BOM WITH GELCAP, REVISED TITLE, RESEALED		CONNECTION DETAIL IN STREET LIGHT STANDARD	
C.A.		L.D.		DATE	
				18-04	
				CD 310-4	
				SHT	
				0002 OF 4	
				REV	
				01	

1-04431-DA-56200-0002



**No. 4 ALUMINUM C/N CABLE
(TYPICAL FEED THROUGH)**

**1/0 ALUMINUM TRIPLEX CABLE
(TYPICAL FEED THROUGH)**



**No. 4 ALUMINUM C/N CABLE
(TYPICAL END OF CIRCUIT)**

**1/0 ALUMINUM TRIPLEX CABLE
(TYPICAL END OF CIRCUIT)**

APPROVED		REVISIONS		MANITOBA HYDRO DISTRIBUTION STANDARDS			
ORIGINAL DRAWING SEALED BY J.J.D. RINGASH 18-05-11		18-04 0 MOVED FROM SHEET 1		CONNECTION DETAIL IN STREET LIGHT STANDARD			
						DRAWN C.A.	
CD 310-4				SHT		REV	
				0003 OF 4		00	

BILL OF MATERIAL

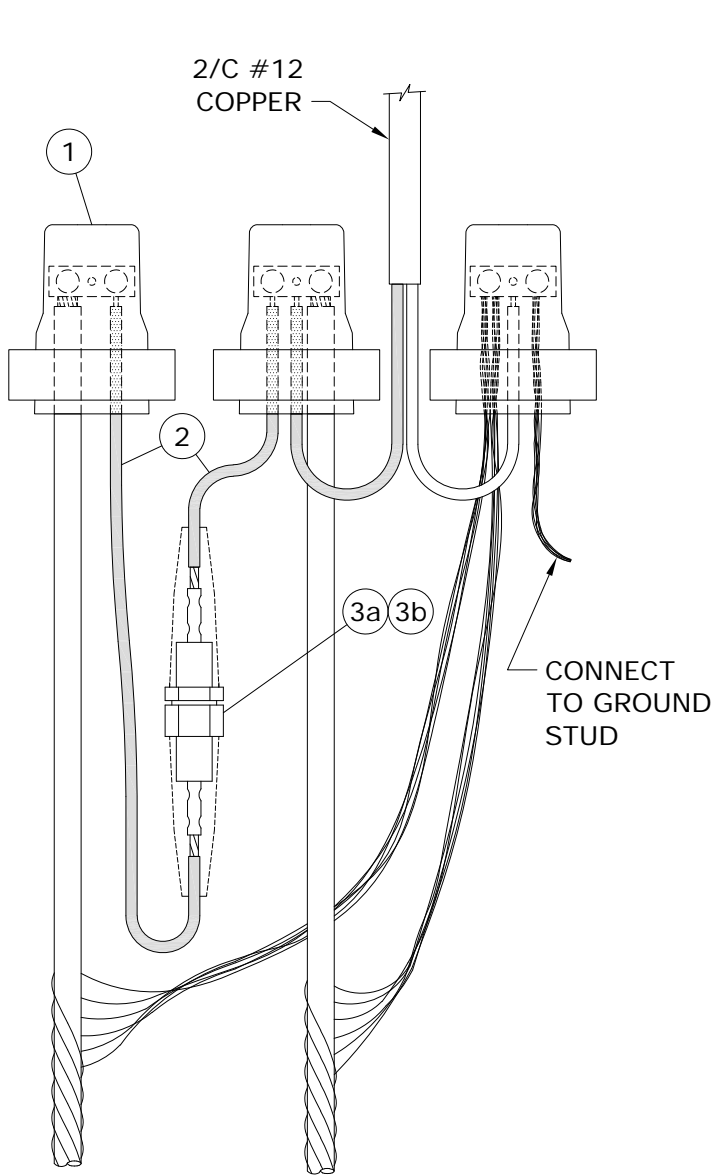
ITEM No.	DESCRIPTION	STORES CODE No.		QUANTITY
		FOR USE WITH #4 AL. C/N	FOR USE WITH 1/0 AL. TRIPLEX	
1	'C' TYPE AL. COMPRESSION TAP	74-41-30	---	1
1a	'H' TYPE AL. COMPRESSION TAP	74-40-10	---	1 *
2	'C' TYPE CU. COMPRESSION TAP	74-40-90	---	1
3	'H' TYPE AL. COMPRESSION TAP	---	74-40-60	3 **
4	TAPE, SELF-AMALGAMATING EPR	78-55-23	78-55-23	1/4 ROLL
5	TAPE, COLD WEATHER VINYL	78-55-98	78-55-98	1/4 ROLL

- * FOR END OF CIRCUIT WHEN USING ONLY ONE CABLE.
- ** AT END OF CIRCUIT, QUANTITY MAY BE LESS THAN SHOWN.

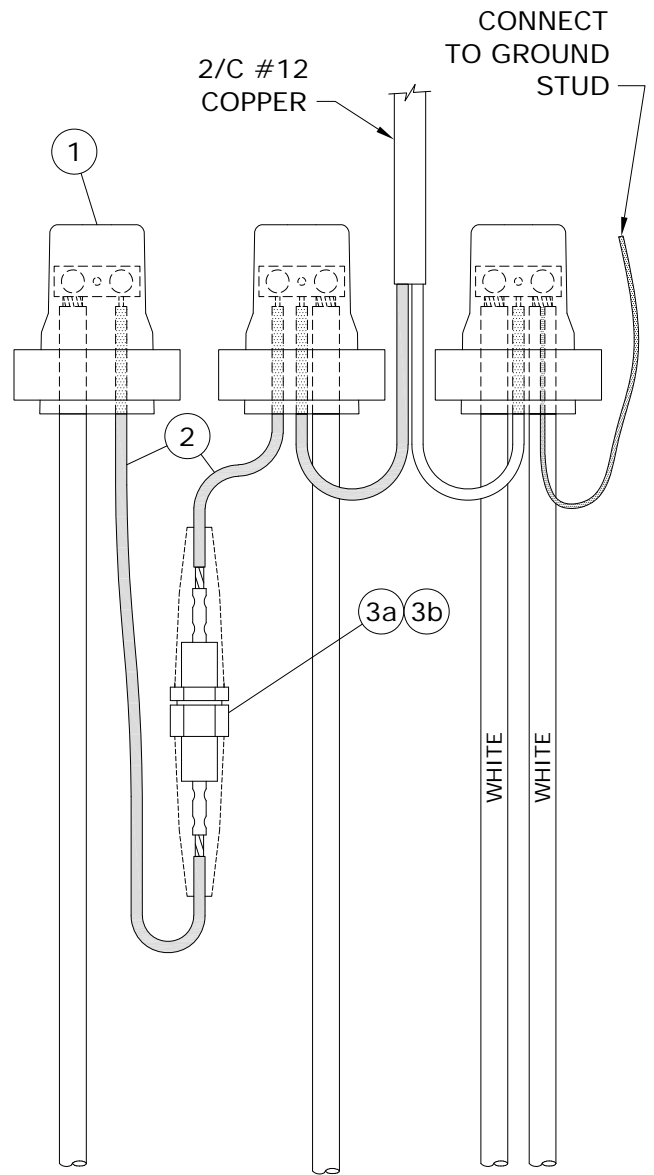
NOTES:

1. LEAVE SUFFICIENT SLACK ON CONDUCTORS TO ALLOW REMOVAL FROM HANDHOLE FOR MAINTENANCE.
2. FOR PROPER TAPING PROCEDURE, REFER TO DRAWING CD215-12.

APPROVED		REVISIONS		MANITOBA HYDRO DISTRIBUTION STANDARDS			
ORIGINAL DRAWING SEALED BY J.J.D. RINGASH 18-05-11		18-04 0		MOVED FROM SHEET 2			
DRAWN C.A.	CHECKED L.D.	DATE 18-04	CD 310-4		SHT	REV	
					0004 OF 4	00	



No. 4 ALUMINUM C/N CABLE



1/0 ALUMINUM TRIPLEX CABLE

SUPERCEDES ORIGINAL SEALED BY E. WIEBE ON 89-04-28

APPROVED		REVISIONS		MANITOBA HYDRO DISTRIBUTION STANDARDS	
ORIGINAL DRAWING SEALED BY J.J.D. RINGASH 18-03-05	17-11	2	ADDED SHT 3 & 4, MOVED PREVIOUS INFO FROM SHT1 TO SHT3, ADDED NEW GELCAP DWG, RESEALED	STREET LIGHT CIRCUIT PROTECTED BY 30A FUSE IN STREET LIGHT STANDARD	
	94-04	1	CONN. REVISED DUE TO INSUL. NEUTRAL		
DRAWN C.A.	CHECKED L.D.	DATE 17-11		CD 310-9	

BILL OF MATERIAL

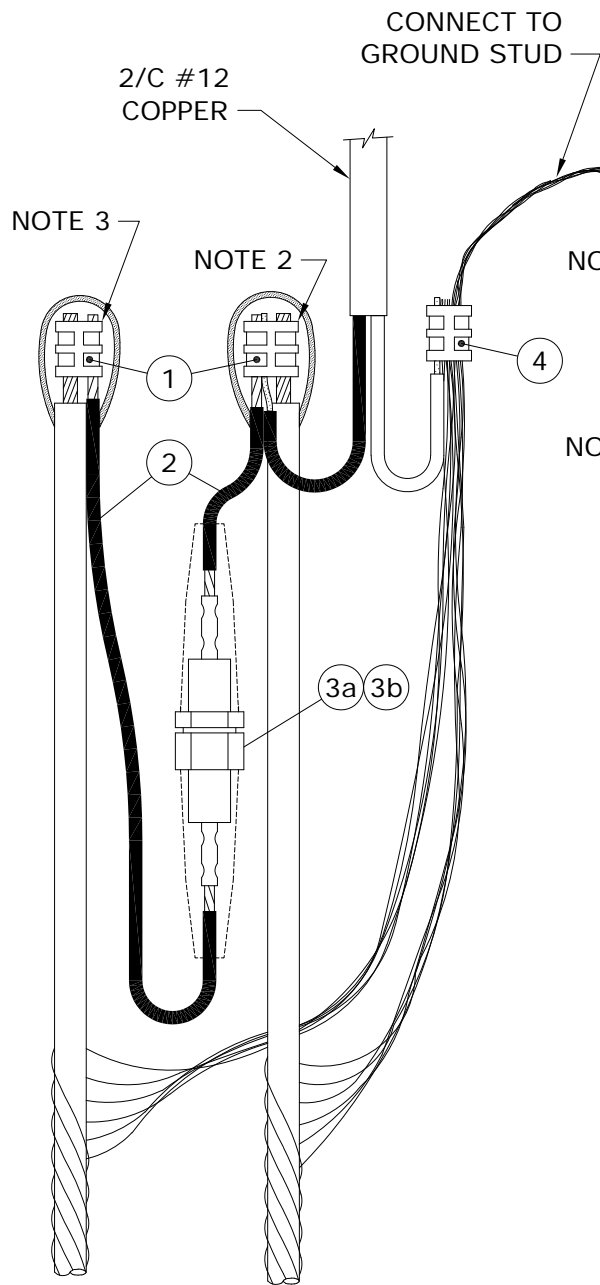
ITEM No.	DESCRIPTION	STORES CODE No.		QUANTITY
		FOR USE WITH #4 AL. C/N	FOR USE WITH 1/0 AL. TRIPLEX	
1	GEL CAP	04-29-36	04-29-36	3
2	WIRE, # 8 CU., 600V, PVC	93-10-08	93-10-08	1m
3a	FUSEHOLDER, 15/30A C/W BOOTS	31-91-30	31-91-30	1
3b	FUSE, 30A	31-14-30	31-14-30	1

NOTES:

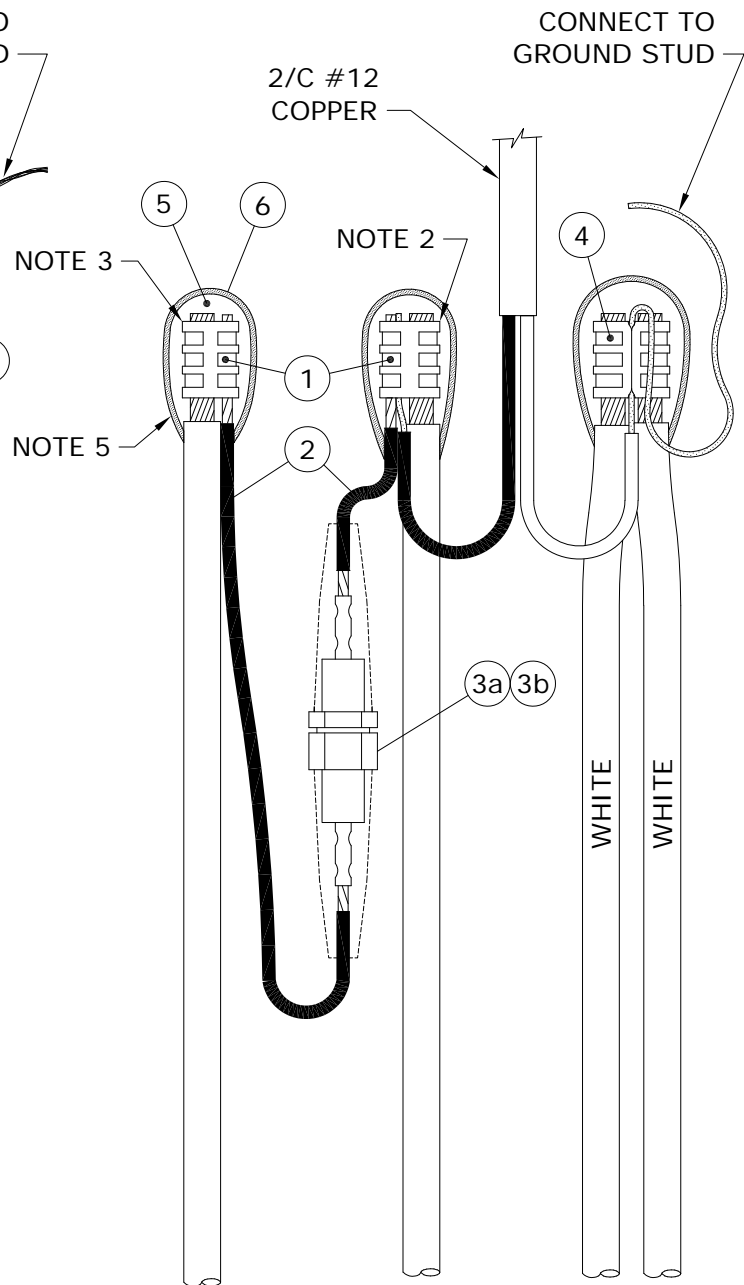
- 1. LEAVE SUFFICIENT SLACK ON CONDUCTORS AND FUSE HOLDER TO ALLOW REMOVAL FROM HANDHOLE FOR FUSE REPLACEMENT AND MAINTENANCE.**
2. FOR SPLICING FEED THROUGH HOT LEG, REFER TO DRAWING CD310-4.
3. FOR GEL CAP INSTALLATION INSTRUCTIONS, REFER TO DRAWING CD310-3.

SUPERCEDES ORIGINAL SEALED BY E. WIEBE ON 94-07-03

APPROVED		REVISIONS		MANITOBA HYDRO DISTRIBUTION STANDARDS	
ORIGINAL DRAWING SEALED BY J.J.D. RINGASH 18-03-05		17-11 1 ADDED SHT 3 & 4, MOVED PREVIOUS INFO FROM SHT2 TO SHT4, ADDED NEW BOM WITH GELCAP, RESEALED		<p align="center">STREET LIGHT CIRCUIT PROTECTED BY 30A FUSE IN STREET LIGHT STANDARD</p>	
				CD 310-9	



No. 4 ALUMINUM C/N CABLE



1/0 ALUMINUM TRIPLEX CABLE

APPROVED	REVISIONS		MANITOBA HYDRO DISTRIBUTION STANDARDS	
ORIGINAL DRAWING SEALED BY J.J.D. RINGASH 18-03-05			STREET LIGHT CIRCUIT PROTECTED BY 30A FUSE IN STREET LIGHT STANDARD	
	17-11	0		
DRAWN C.A.	CHECKED L.D.	DATE 17-11	CD 310-9	

BILL OF MATERIAL

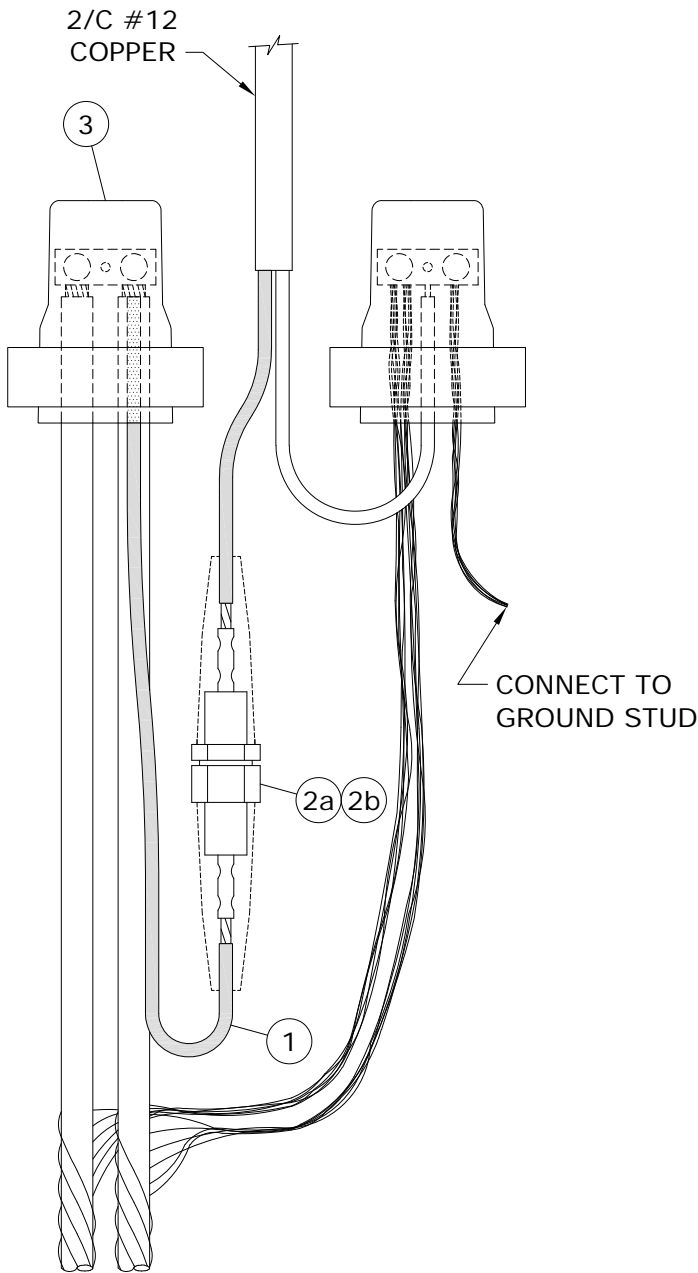
ITEM No.	DESCRIPTION	STORES CODE No.		QUANTITY
		FOR USE WITH #4 AL. C/N	FOR USE WITH 1/0 AL. TRIPLEX	
1	'H' TYPE COMPRESSION TAP	74-40-10	74-40-30	2
2	WIRE, # 8 CU., 600V, PVC	93-10-08	93-10-08	1m
3a	FUSEHOLDER, 15/30A C/W BOOTS	31-91-30	31-91-30	1
3b	FUSE, 30A	31-14-30	31-14-30	1
4	'C' TYPE COMPRESSION TAP	74-40-90	---	1
	'H' TYPE COMPRESSION TAP	---	74-40-60	1 *
5	TAPE, SELF-AMALGAMATING EPR	78-55-23	78-55-23	1/4 ROLL
6	TAPE, COLD WEATHER VINYL	78-55-98	78-55-98	1/4 ROLL

* WHEN USING 1/0 ALUMINUM TRIPLEX 1 ADDITIONAL 'H' TYPE COMPRESSION TAP (S.C.# 74 40 60) IS REQUIRED TO CONNECT SECOND (FEED THROUGH) HOT LEG.

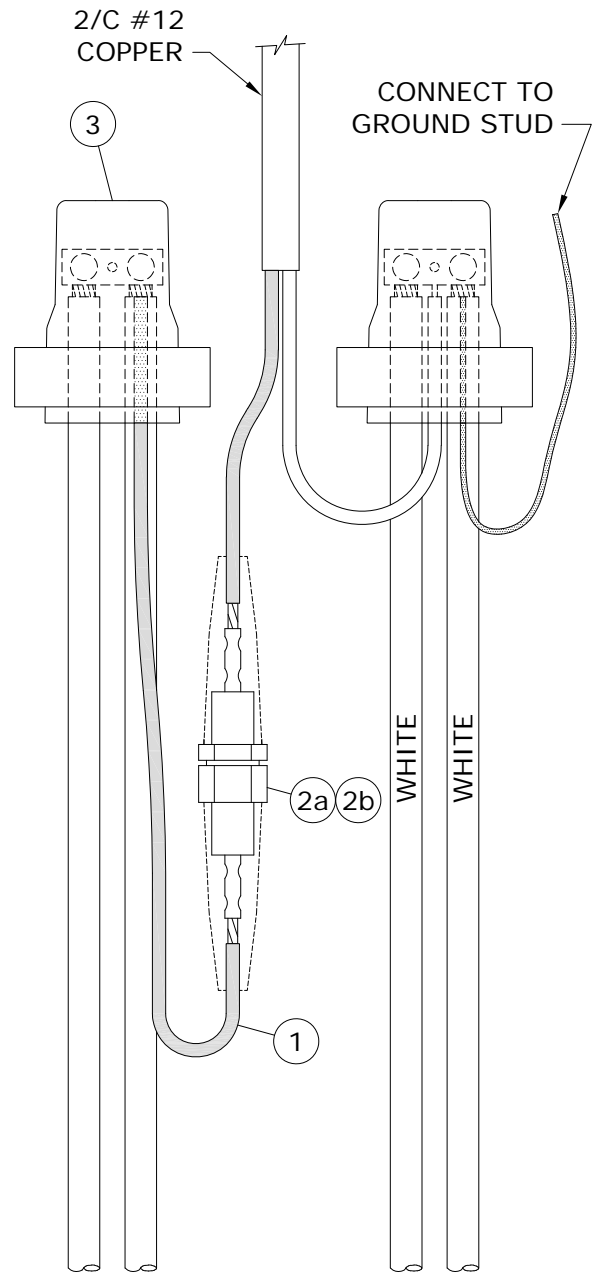
NOTES:

1. LEAVE SUFFICIENT SLACK ON CONDUCTORS AND FUSE HOLDER TO ALLOW REMOVAL FROM HANDHOLE FOR FUSE REPLACEMENT AND MAINTENANCE.
2. INSERT #12 COPPER AND #8 COPPER IN SMALL GROOVE.
3. INSERT DOUBLE THICKNESS OF #8 COPPER IN SMALL GROOVE.
4. FOR SPLICING FEED THROUGH HOT LEG, REFER TO DRAWING CD310-4.
5. FOR PROPER TAPING PROCEDURE, REFER TO DRAWING CD215-12.

APPROVED		REVISIONS		MANITOBA HYDRO DISTRIBUTION STANDARDS			
ORIGINAL DRAWING SEALED BY J.J.D. RINGASH 18-03-05		17-11 0		<p align="center">STREET LIGHT CIRCUIT PROTECTED BY 30A FUSE IN STREET LIGHT STANDARD</p>			
DRAWN C.A.	CHECKED L.D.	DATE 17-11		CD 310-9		SHT	REV
						0004 OF 4	00



No. 4 ALUMINUM C/N CABLE



1/0 ALUMINUM TRIPLEX CABLE

NOTE:

RECOMMENDED FOR PROTECTING LUMINAIRES WHICH ARE TO BE MOUNTED ON STREET LIGHT POLES 16.8m AND HIGHER.

SUPERCEDES ORIGINAL SEALED BY E. WIEBE ON 89-04-28

APPROVED		REVISIONS		MANITOBA HYDRO DISTRIBUTION STANDARDS	
ORIGINAL DRAWING SEALED BY J.J.D. RINGASH 18-05-11	18-04	3	ADDED SHT 3 & 4, MOVED PREVIOUS INFO FROM SHT1 TO SHT3, ADDED NEW GELCAP, DWG, RESEALED	INDIVIDUAL LUMINAIRE PROTECTED BY 15A FUSE IN STREET LIGHT STANDARD	
	95-01	2	NOTE ADDED		
DRAWN C.A.	CHECKED L.D.	DATE 18-04		CD 310-10	

BILL OF MATERIAL

ITEM No.	DESCRIPTION	STORES CODE No.		QUANTITY
		FOR USE WITH #4 AL. C/N	FOR USE WITH 1/0 AL. TRIPLEX	
1	2/C #12 COPPER	93-52-12	93-52-12	1m
2a	FUSEHOLDER, 15/30A C/W BOOTS	31-91-30	31-91-30	1
2b	FUSE, STREET LIGHT, 15A	31-14-15	31-14-15	1
3	GEL CAP	04-29-36	04-29-36	2

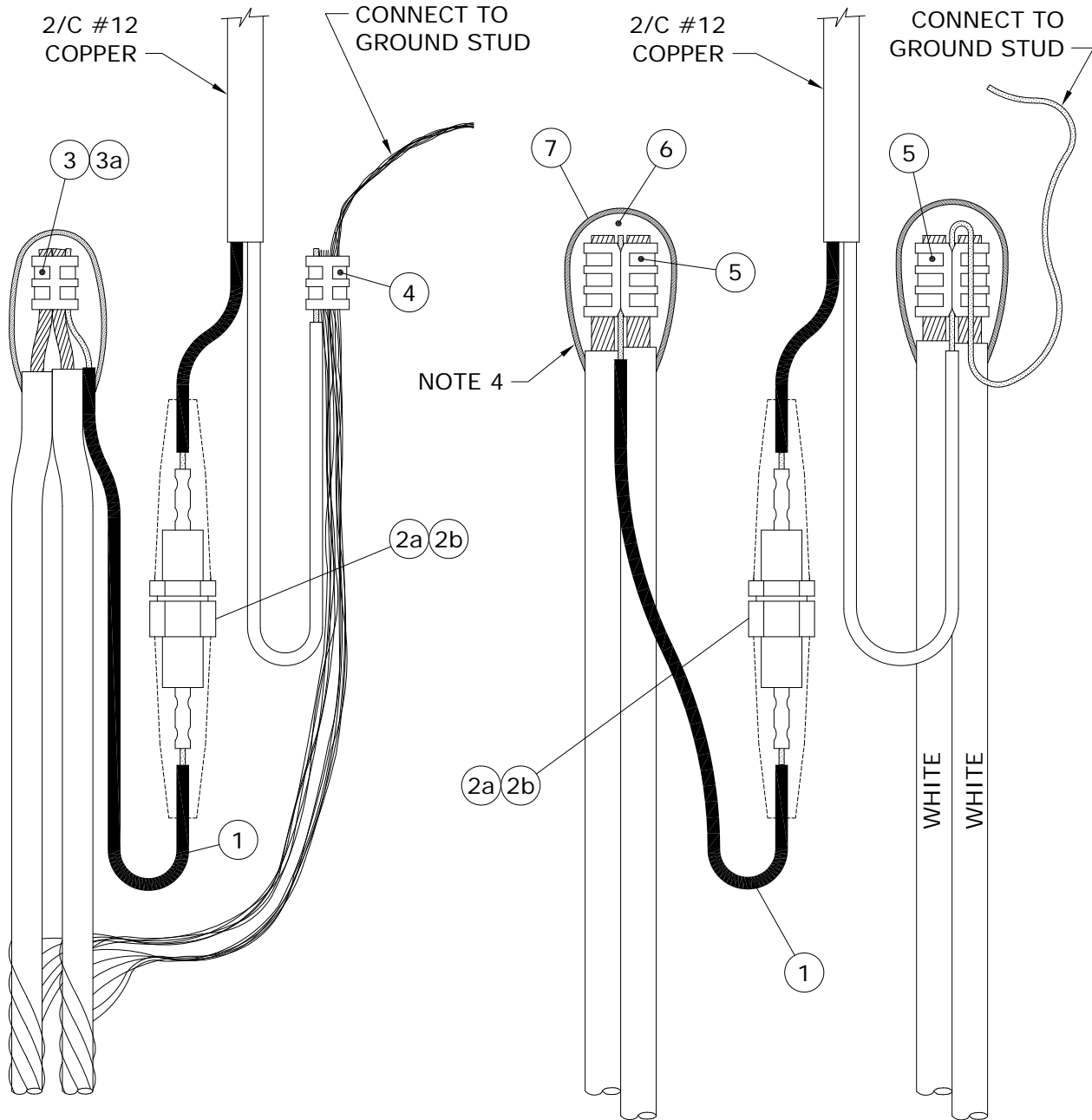
NOTES:

- 1. LEAVE SUFFICIENT SLACK ON CONDUCTORS AND FUSE HOLDER TO ALLOW REMOVAL FROM HANDHOLE FOR FUSE REPLACEMENT AND MAINTENANCE.**
2. FOR SPLICING FEED THROUGH HOT LEG, REFER TO DRAWING CD310-4.
3. FOR END OF CIRCUIT, REFER TO DRAWING CD310-4.
4. FOR GEL CAP INSTALLATION INSTRUCTIONS, REFER TO DRAWING CD310-3.

SUPERCEDES ORIGINAL SEALED BY E. WIEBE ON 94-07-03

APPROVED		REVISIONS		MANITOBA HYDRO DISTRIBUTION STANDARDS				
ORIGINAL DRAWING SEALED BY J.J.D. RINGASH 18-05-11		<table border="1"> <tr> <td>18-04</td> <td>1</td> <td>ADDED SHT 3 & 4, MOVED PREVIOUS INFO FROM SHT2 TO SHT4, ADDED NEW BOM WITH GELCAP, RESEALED</td> </tr> </table>		18-04	1	ADDED SHT 3 & 4, MOVED PREVIOUS INFO FROM SHT2 TO SHT4, ADDED NEW BOM WITH GELCAP, RESEALED	<p align="center">INDIVIDUAL LUMINAIRE PROTECTED BY 15A FUSE IN STREET LIGHT STANDARD</p>	
				18-04	1	ADDED SHT 3 & 4, MOVED PREVIOUS INFO FROM SHT2 TO SHT4, ADDED NEW BOM WITH GELCAP, RESEALED		
DRAWN C.A.	CHECKED L.D.	DATE 18-04	SHT 0002 of 4	REV 01				

CD 310-10



No. 4 ALUMINUM C/N CABLE

1/0 ALUMINUM TRIPLEX CABLE

NOTE:

RECOMMENDED FOR PROTECTING LUMINAIRES WHICH ARE TO BE MOUNTED ON STREET LIGHT POLES 16.8m AND HIGHER.

APPROVED		REVISIONS		MANITOBA HYDRO DISTRIBUTION STANDARDS	
ORIGINAL DRAWING SEALED BY J.J.D. RINGASH 18-05-11		18-04 0		MOVED FROM SHEET 1	
DRAWN C.A.	CHECKED L.D.	DATE 18-04		CD 310-10	
				SHT 0003 OF 4	REV 00

BILL OF MATERIAL

ITEM No.	DESCRIPTION	STORES CODE No.		QUANTITY
		FOR USE WITH #4 AL. C/N	FOR USE WITH 1/0 AL. TRIPLEX	
1	2/C # 12 COPPER	93-52-12	93-52-12	1m
2a	FUSEHOLDER, 15/30A C/W BOOTS	31-91-30	31-91-30	1
2b	FUSE, STREET LIGHT, 15A	31-14-15	31-14-15	1
3	'C' TYPE AL. COMPRESSION TAP	74-41-30	---	1
3a	'H' TYPE AL. COMPRESSION TAP	74-40-10	---	1 *
4	'C' TYPE CU. COMPRESSION TAP	74-40-90	---	1
5	'H' TYPE AL. COMPRESSION TAP	---	74-40-60	3 **
6	TAPE, SELF-AMALGAMATING EPR	78-55-23	78-55-23	1/4 ROLL
7	TAPE, COLD WEATHER VINYL	78-55-98	78-55-98	1/4 ROLL

- * FOR END OF CIRCUIT WHEN USING ONLY ONE CABLE.
- ** AT END OF CIRCUIT, QUANTITY MAY BE LESS THAN SHOWN.

NOTES:

1. LEAVE SUFFICIENT SLACK ON CONDUCTORS AND FUSE HOLDER TO ALLOW REMOVAL FROM HANDHOLE FOR FUSE REPLACEMENT AND MAINTENANCE.
2. FOR SPLICING FEED THROUGH HOT LEG, REFER TO DRAWING CD310-4.
3. FOR END OF CIRCUIT, REFER TO DRAWING CD310-4.
4. FOR PROPER TAPING PROCEDURE, REFER TO DRAWING CD215-12.

APPROVED		REVISIONS		MANITOBA HYDRO DISTRIBUTION STANDARDS			
ORIGINAL DRAWING SEALED BY J.J.D. RINGASH 18-05-11		18-04 0		<p align="center">INDIVIDUAL LUMINAIRE PROTECTED BY 15A FUSE IN STREET LIGHT STANDARD</p>			
DRAWN C.A.	CHECKED L.D.	DATE 18-04		CD 310-10		SHT	REV
						0004 OF 4	00

SUPPLY VOLTAGES

THE SUPPLY VOLTAGE FOR STREET LIGHT CIRCUITS MAY BE PROVIDED BY POLE-MOUNTED DISTRIBUTION TRANSFORMERS OR BY PAD-MOUNTED DISTRIBUTION TRANSFORMERS.

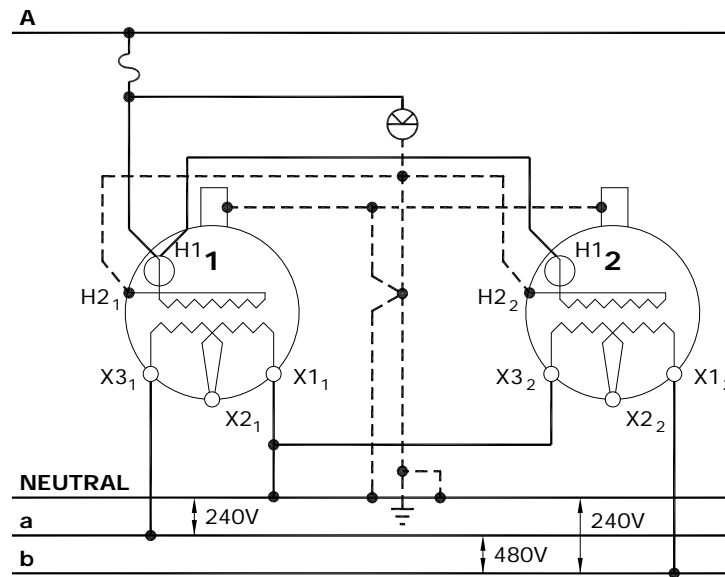
THE MAJORITY OF ROADWAY LUMINAIRES ARE RATED FOR OPERATION ON EITHER 120 VOLT OR 240 VOLT CIRCUITS AND ARE FACTORY WIRED FOR 120 VOLT OPERATION EXCEPT FOR 400 WATT H.P.S. LUMINAIRES WHICH ARE RATED FOR 120/240 VOLT OPERATION BUT ARE FACTORY WIRED FOR 240 VOLT OPERATION.

IN CASES WHERE EXCESSIVE VOLTAGE DROP IN A STREET LIGHTING CIRCUIT IS A PROBLEM, A SUPPLY VOLTAGE OF 240/480 MAY BE USED. A SUPPLY VOLTAGE OF 240/480 CAN BE OBTAINED FROM TWO SINGLE PHASE POLE-MOUNTED DISTRIBUTION TRANSFORMERS CONNECTED AS SHOWN ON DRAWING CD315-2. IF A SINGLE PHASE PAD-MOUNTED DISTRIBUTION TRANSFORMER WITH A 240/480 VOLT SECONDARY IS REQUIRED, THE TRANSFORMER MUST BE ORDERED FROM THE MANUFACTURER (SEE DRAWING CD315-2).

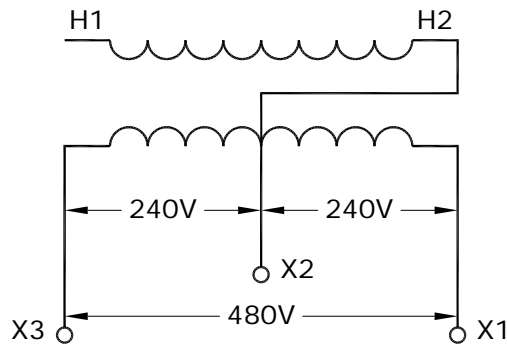
CAUTION:

PRIOR TO CONNECTING LUMINAIRES TO A 240 VOLT SUPPLY CIRCUIT IT IS IMPORTANT TO CHECK THE INTERNAL CONNECTIONS TO THE TERMINAL BLOCK TO ENSURE THAT THE UNIT IS PROPERLY CONNECTED FOR 240 VOLT OPERATION.

APPROVED		REVISIONS		MANITOBA HYDRO DISTRIBUTION STANDARDS	
ORIGINAL DRAWING SEALED BY E.H. WIEBE 89-04-28				SUPPLY VOLTAGES FOR STREET LIGHT CIRCUITS	
DRAWN W.B./CAD	CHECKED W.C.	DATE 88-08	CD 315-1		SHT 0001 OF 1
				REV 00	



SECONDARY VOLTAGE 240/480V GROUNDED. TWO SINGLE-PHASE POLE-MOUNTED TRANSFORMERS WITH 120/240V SECONDARIES.



SECONDARY VOLTAGE 240/480V GROUNDED. SINGLE-PHASE PAD-MOUNTED TRANSFORMER AS SUPPLIED BY MANUFACTURER

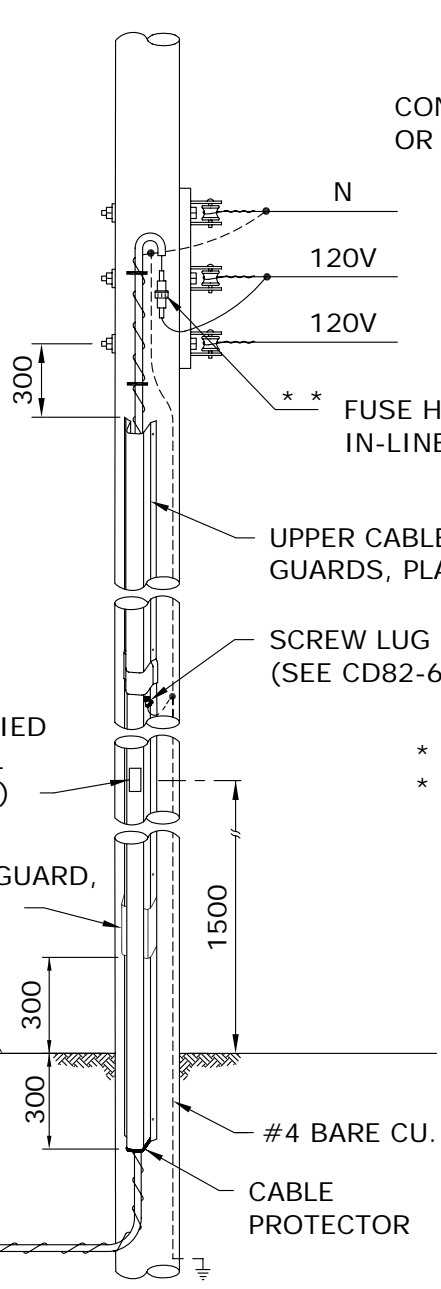
SAFETY PRECAUTION

1. SINGLE PHASE PAD MOUNTED TRANSFORMERS WITH ABOVE SECONDARY VOLTAGES TO HAVE WARNING SIGN "**CAUTION - 240/480V SECONDARY - SEE NAMEPLATE**", STENCILLED ON THE OUTSIDE OF THE TRANSFORMER NEAR NAMEPLATE.
2. NAMEPLATES OF MODIFIED TRANSFORMERS TO BE REVISED.

PURCHASE OF 240/480 VOLT TRANSFORMER

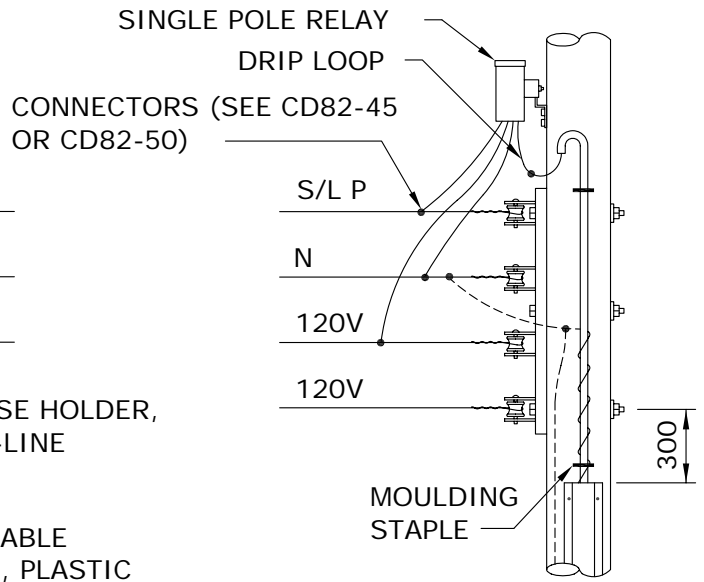
1. INCLUDE ABOVE WARNING SIGN REQUIREMENT IN PURCHASE DESCRIPTION.

APPROVED		REVISIONS		MANITOBA HYDRO DISTRIBUTION STANDARDS		
ORIGINAL DRAWING SEALED BY E.H. WIEBE 89-04-28				240/480 VOLT SUPPLY FOR STREET LIGHT CIRCUITS		
		13-01	2			REVISED DIAGRAM
		90-04	1			DROPOUT DELETED
DRAWN W.B./CAD	CHECKED L.D./D.O.	DATE 88-08	CD 315-2		SHT 0001 OF 1	
					REV 02	



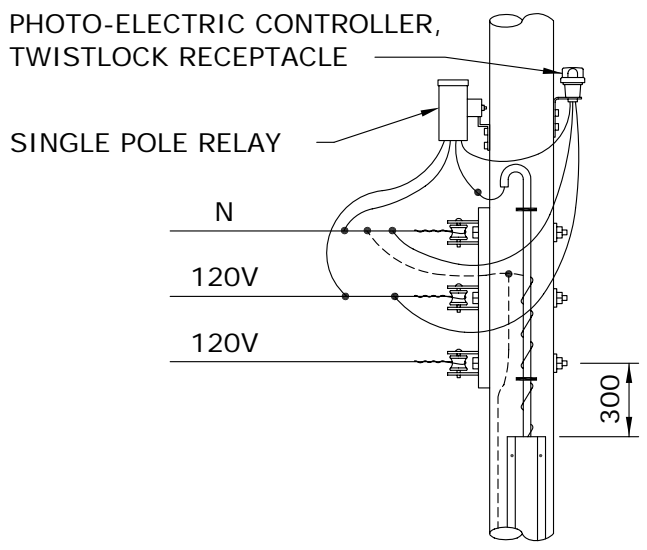
**IN-LINE
FUSE PROTECTED**

* * USED WHERE POLY ISN'T USED



**STREET LIGHT PILOT WIRE
CONTROLLED RELAY**

* PHOTO-ELECTRIC CONTROLLER,
* TWISTLOCK RECEPTACLE



**P.E. CELL
CONTROLLED RELAY**

* USED WHERE ST./LT. PILOT
DOES NOT EXIST

NOTES:

1. REFER TO DRAWING CD200-63 FOR CABLE GUARD INSTALLATION DETAILS.
2. INSTALL A GROUND ROD AT THE LAST POLE ON THE STREET LIGHT CIRCUIT.
3. DIMENSIONS SHOWN ARE MILLIMETRES.

APPROVED		REVISIONS		MANITOBA HYDRO DISTRIBUTION STANDARDS	
ORIGINAL DRAWING SEALED BY E.H. WIEBE 89-04-28	99-08	3	SHOW VENTED CABLE GUARD, SHEET 2 DELETED	DIP POLE FOR UNDERGROUND STREET LIGHTING CIRCUIT	
	94-04	2	DWG. REFERENCE CHANGED		
	92-06	1	NOTE 1		
DRAWN R.L.B./CAD	CHECKED K.C.H.	DATE 88-08	CD 315-5		SHT 0001 OF 1
					REV 03

CONTROL METHODS

1. LUMINAIRES CONTROLLED INDIVIDUALLY BY PHOTO-ELECTRIC CELL

THE PREFERRED METHOD FOR PROVIDING ON/OFF CONTROL OF A STREET LIGHT LUMINAIRE IS TO INSTALL A PHOTO-ELECTRIC CELL ON EACH LUMINAIRE, IF LUMINAIRES ARE MOUNTED ON HIGHER POLES (IN EXCESS OF 10.7 M OR 35 FT.) WHERE IT IS DIFFICULT TO REACH THE LUMINAIRE WITH THE LOCAL DISTRICT BUCKET TRUCK, CONSIDERATION SHOULD BE GIVEN TO USING A PHOTO-ELECTRIC CONTROLLED EXTERNALLY-MOUNTED RELAY SYSTEM.

2. PHOTO-ELECTRIC CONTROLLED EXTERNALLY-MOUNTED RELAY

SEVERAL LUMINAIRES CAN BE CONTROLLED SIMULTANEOUSLY BY INSTALLING A PHOTO-ELECTRIC CONTROLLED, EXTERNALLY MOUNTED RELAY, ON A WOOD POLE (SEE CD315-11) OR ON A STEEL STREET LIGHT POLE (SEE CD315-12). SINGLE POLE (SINGLE CIRCUIT) RELAYS ARE AVAILABLE WITH EITHER A 30 AMP OR A 60 AMP RATING. A BY-PASS SWITCH MAY BE INSTALLED TO PROVIDE A MEANS OF ACTIVATING THE STREET LIGHT CIRCUIT FOR DAYLIGHT MAINTENANCE PURPOSES.

3. STREET LIGHT RELAY USING STREET LIGHT CONTROL

ACTIVATING SUCCESSIVE SECTIONS OF STREET LIGHTING CIRCUITS BY MEANS OF A SERIES OF RELAYS (KNOWN AS A CASCADE CONTROLLED SYSTEM) IS NO LONGER USED AS A CONTROL METHOD. HOWEVER, SOME CASCADE CONTROLLED RELAY SYSTEMS REMAIN IN SERVICE. THE CONNECTION DIAGRAMS FOR A CASCADE CONTROLLED RELAY SYSTEM ARE SHOWN ON DRAWING CD315-14. DOUBLE POLE (DOUBLE CIRCUIT) RELAYS ARE NO LONGER PURCHASED, THEREFORE, DOUBLE POLE RELAYS WHICH FAIL MUST BE REPLACED WITH TWO SINGLE POLE RELAYS. BOTH THE SINGLE AND DOUBLE POLE OLDER STYLE RELAYS HAVE A 5 AMP FUSE PROTECTING THE RELAY COIL.

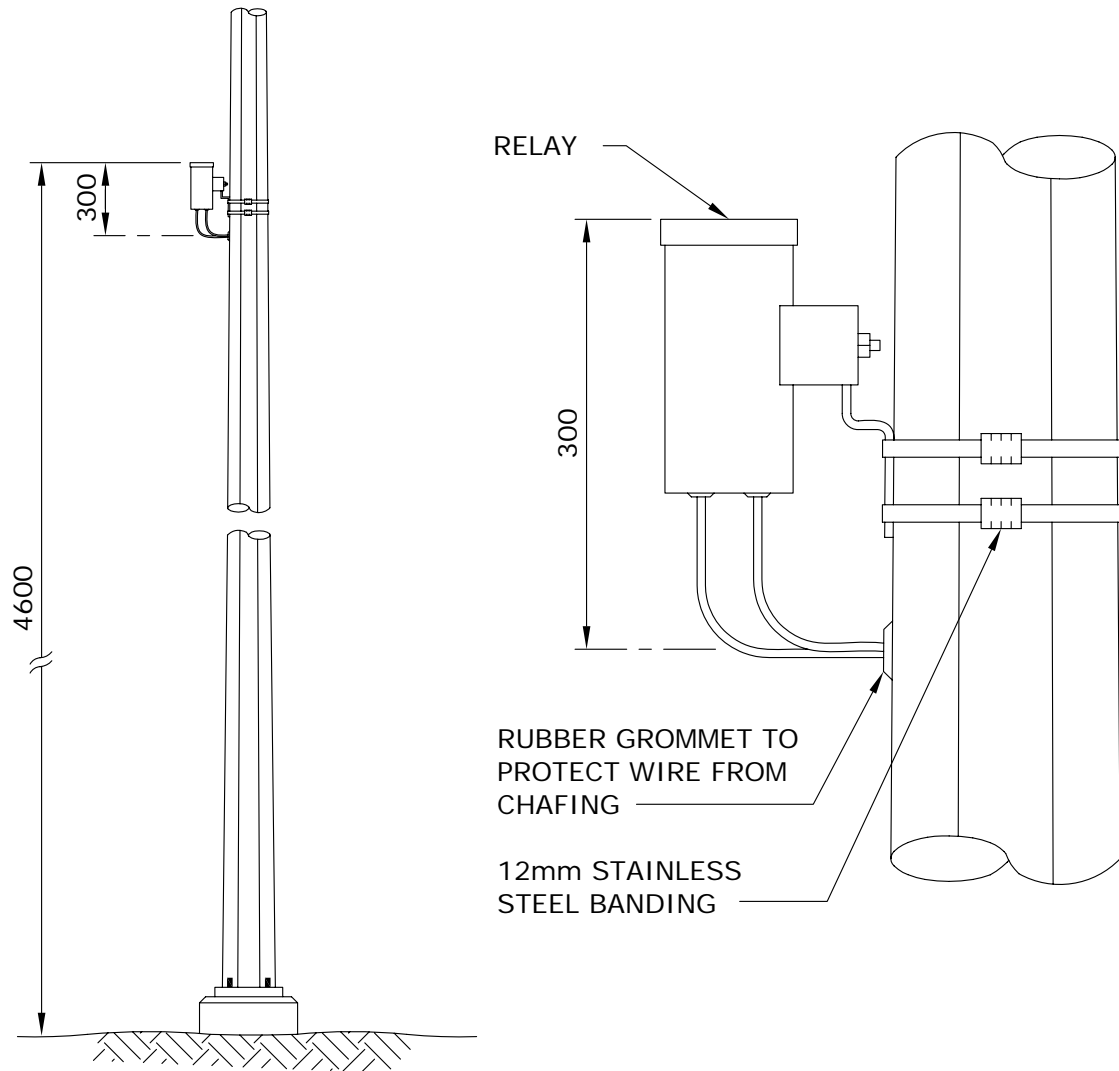
4. STREET LIGHT RELAY USING PILOT WIRE CONTROL

PILOT WIRE CONTROL SYSTEMS ARE NO LONGER USED FOR NEW CONSTRUCTION. HOWEVER, SOME PILOT WIRE CONTROL SYSTEMS REMAIN IN SERVICE. THE CONNECTION DIAGRAMS FOR PILOT WIRE CONTROL SYSTEMS ARE SHOWN ON DRAWING CD315-15. DOUBLE POLE (DOUBLE CIRCUIT) RELAYS ARE NO LONGER PURCHASED. THEREFORE, DOUBLE POLE RELAYS WHICH FAIL MUST BE REPLACED WITH TWO SINGLE POLE RELAYS.

5. PHOTO-ELECTRIC CONTROLLED RELAY IN BASE OF STANDARD

COMPACT RELAYS, MOUNTED IN THE BASE OF STEEL STREET LIGHT STANDARDS ARE NO LONGER USED FOR NEW CONSTRUCTION. THE COMPACT RELAY IS ACTIVATED VIA THE PHOTO-ELECTRIC CONTROLLER ON THE LUMINAIRE. IF A COMPACT RELAY FAILS AN EXTERNALLY-MOUNTED RELAY AND PHOTO-ELECTRIC CONTROLLER SHOULD BE INSTALLED (SEE CD315-12 AND CD315-13).

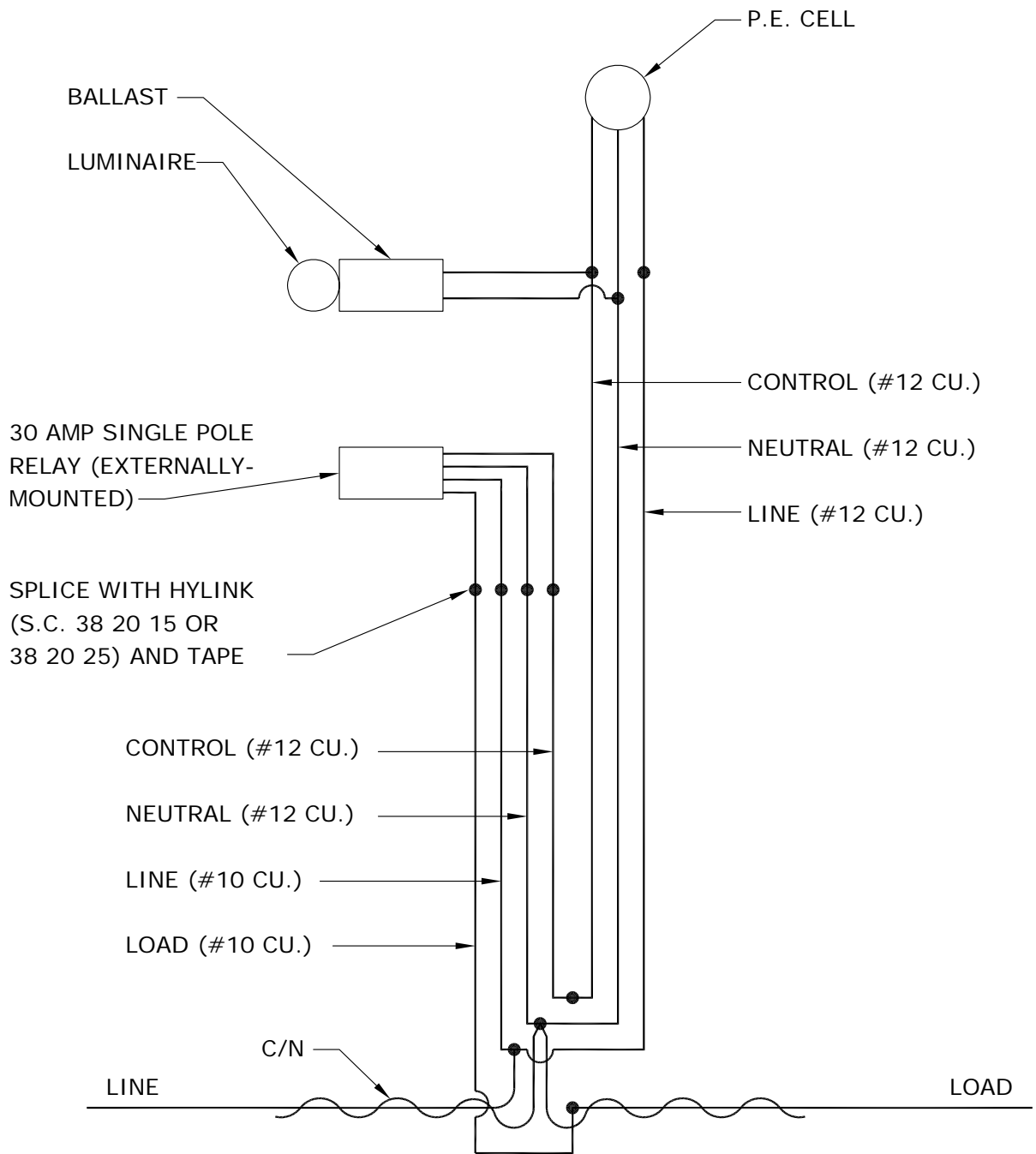
APPROVED		REVISIONS		MANITOBA HYDRO DISTRIBUTION STANDARDS					
ORIGINAL DRAWING SEALED BY E.H. WIEBE 89-04-28				CONTROL METHODS FOR STREET LIGHT CONTROLS					
DRAWN W.B./CAD	CHECKED W.C.	DATE 88-08	CD 315-10		<table border="1"> <tr> <td>SHT</td> <td>REV</td> </tr> <tr> <td>0001 of 1</td> <td>00</td> </tr> </table>	SHT	REV	0001 of 1	00
SHT	REV								
0001 of 1	00								



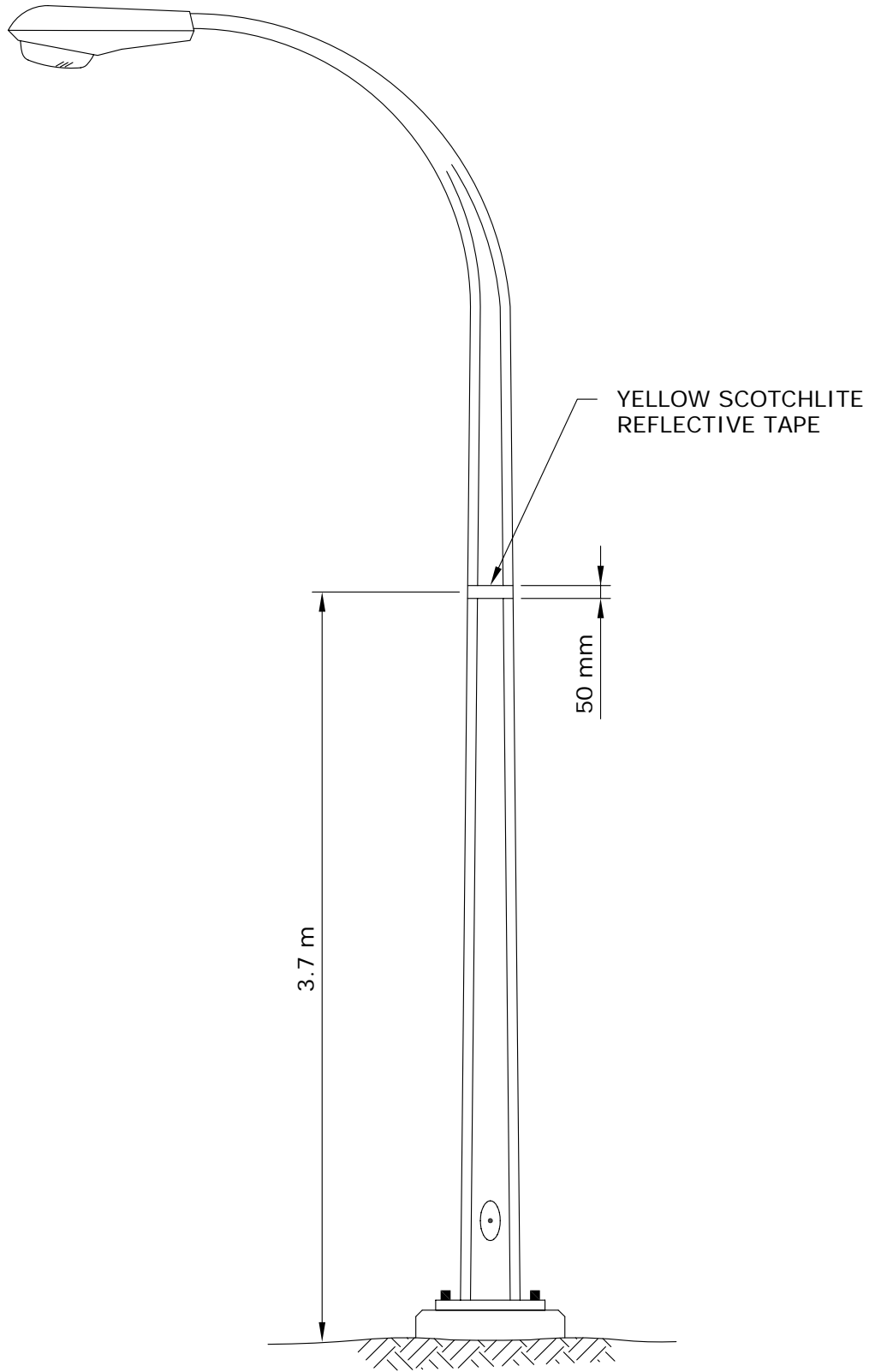
NOTES:

1. DRILL 25mm HOLE AT A POINT 4.3m ABOVE FINISHED GRADE.
2. INSTALL RUBBER GROMMET IN HOLE.
3. BAND RELAY TO POLE USING 12mm STAINLESS STEEL BANDING MATERIAL SO THAT THE TOP OF THE RELAY IS 300mm ABOVE THE CENTRE OF THE HOLE.
4. CONNECT RELAY LEADS TO 4.3m LENGTHS OF EQUAL SIZED CONDUCTOR AND PUSH SPLICES INSIDE POLE.
5. TAPE EXPOSED RELAY LEADS INTO A BUNDLE.
6. DIMENSIONS SHOWN ARE MILLIMETRES.

APPROVED		REVISIONS		MANITOBA HYDRO DISTRIBUTION STANDARDS					
ORIGINAL DRAWING SEALED BY E.H. WIEBE 89-04-28				INSTALLATION OF EXTERNALLY-MOUNTED RELAY					
DRAWN W.B./CAD	CHECKED W.C.	DATE 88-09	CD 315-12		<table border="1"> <tr> <td>SHT</td> <td>REV</td> </tr> <tr> <td>0001 OF 1</td> <td>00</td> </tr> </table>	SHT	REV	0001 OF 1	00
SHT	REV								
0001 OF 1	00								



APPROVED		REVISIONS		MANITOBA HYDRO DISTRIBUTION STANDARDS	
ORIGINAL DRAWING SEALED BY E.H. WIEBE 89-04-28		94-03 1 MAXIMUM RELAY SIZE		CONNECTION SCHEMATIC FOR EXTERNALLY-MOUNTED RELAY	
DRAWN W.B./CAD	CHECKED W.C.	DATE 88-09	SHT 0001 OF 1		REV 01



APPROVED		REVISIONS		MANITOBA HYDRO DISTRIBUTION STANDARDS	
ORIGINAL DRAWING SEALED BY E.H. WIEBE 89-04-28				IDENTIFICATION OF FIRST STREET LIGHT STANDARD CONNECTION TO CIRCUIT	
DRAWN W.B./CAD	CHECKED W.C.	DATE 88-09	CD 315-35		
			SHT		REV
			0001 OF 1		00



Safe Excavation & Safety Watch Guidelines



For your **SAFETY**

Click Before
YouDig**MB.com**

 **Manitoba
Hydro**

Or call 1-800-940-3447

RELEASE OF NATURAL GAS

In the event of any damage to a natural gas pipeline (regardless of whether it is steel, plastic or aluminum) or to its protective pipe coating or tracer wire, however minor, call Manitoba Hydro immediately 204-480-5900 or 1-888-624-9376. In most cases there is no charge for minor repairs.

In case of damage causing a release of natural gas:

- Call 911 and Manitoba Hydro immediately.
- Clear people from the vicinity and prevent people from approaching the area of the leak.
- Shut off all vehicles and equipment. Remove or extinguish all sources of ignition. **DO NOT** smoke or allow open flame in the presence of natural gas.
- If a gas line has been punctured, do not remove the tool or equipment that punctured the line. This could result in a larger gas leak and pose a greater hazard.
- **DO NOT** attempt to backfill over a leaking natural gas line or attempt to stop the leak; it is safest to allow the gas to vent into the atmosphere.

Before you start to dig, contact ClickBeforeYouDigMB.com to request to have underground lines located. Manitoba Hydro will be notified and will contact you within three business days to advise of the date we will locate our electric and natural gas lines.

- Once the lines are marked we will provide you with a Facilities Locate form with specific instructions. You must obtain this form prior to excavation.
- If work has not started within 14 calendar days after the locate was provided by Manitoba Hydro, you must contact us to have the lines re-marked and receive an updated Facilities Locate form.
- Contractors must ensure that everyone on the worksite is aware of the presence of all gas and electric facilities and ensure that the Facilities Locate form is kept at the excavation site until the excavation and backfill are complete.
- The location markings must be maintained and kept visible by the person or contractor doing the excavation. Be careful that site operators do not remove the line location markings.

In addition to contacting ClickBeforeYouDigMB.com be sure to contact any other underground services that may be in the area.

This guideline applies to the crossing of Manitoba Hydro electrical conductors and natural gas pipelines only. When Manitoba Hydro fibre optic cables are present contractors will be referred by the Manitoba Hydro Facilities Locator to the Manitoba Hydro communications department for more information.

Manitoba Hydro only locates facilities that it owns and has no knowledge of or responsibility for privately owned facilities. Electric conductors or gas pipes installed past the meter are owned privately by the property owner, and at times are installed below ground before entering the building. Outbuildings that are heated or have electric power, wells, septic systems, pumps, pools and hot tubs are examples where privately owned buried facilities may exist.

This booklet has been prepared by Manitoba Hydro for Manitoba Hydro staff, contractors and homeowners involved with excavation and is available at hydro.mb.ca. Information on excavation and safety watch is included to inform excavators about basic requirements for excavation in the vicinity of buried electric power lines and gas pipelines. Unless otherwise indicated, gas pipelines and underground power cables will be called “lines”.

Table of Contents

RELEASE OF NATURAL GAS	2
WHY YOU SHOULD PLAN AHEAD	4
PLANNING LARGE PROJECTS.....	4
REGULATIONS	5
DEFINITIONS	6
EXCAVATOR PRE-MARKING.....	7
Guidelines for excavation marking.....	8
After the area is Pre-Marked.....	9
APWA UNIFORM COLOUR CODE.....	10
GUIDELINES FOR EXCAVATION NEAR ELECTRICAL AND NATURAL GAS LINES.....	10
Hand Digging to Expose Lines	10
Water Pressure/Vacuum System (Hydrovac).....	11
Typical Gas Service Installation	13
General Approach	13
Crossing Lines.....	14
Working Parallel to Lines	14
Hard Surface Removal	15
Line Exposed.....	16
No Relocation.....	16
Inspect for Damage.....	16
Backfilling	16
Access	17
Project Closeout	17
SAFETY WATCH.....	17
When is a Safety Watch required?	17
Why is a Safety Watch done?.....	18
Who pays for a Safety Watch?.....	18
How to arrange for a Safety Watch.....	18
DIRECTIONAL BORING – CONTRACTOR GUIDELINES	19
Electrical Conductors and Gas Pipelines.....	19
Observation Hole Required When Crossing Any Manitoba Hydro Facility	20
Drilling Parallel to Manitoba Hydro Facilities	21
UNPLANNED CONTACT WITH ELECTRIC OR NATURAL GAS LINES	22

WHY YOU SHOULD PLAN AHEAD

When you contact ClickBeforeYouDigMB.com before you dig, we can identify buried lines so you can dig safely. This prevents injury or death, costly repairs, equipment damage, service outages, and environmental pollution.

It is YOUR responsibility to contact all owners of buried underground services.

PLANNING LARGE PROJECTS

Determining the location of existing Manitoba Hydro Underground Structures within the work area should be one of the first priorities of any work. Knowing the location of all utilities infrastructure allows the third party to plan work proactively, mitigating the need for costly design changes or delays during construction.

Gas

Manitoba Hydro requests that drawings be submitted for review for all projects involving ground disturbance. Drawings shall be submitted to: gasdesign@hydro.mb.ca.

Drawings will be reviewed by Manitoba Hydro at no cost and a letter providing details of any work restrictions, specific requirements or costs will be provided to the contractor.

Drawings should be submitted a minimum of 4 weeks before the start of any excavation work. Drawings shall include the details of the proposed work and include any gas or electrical line in the work area.

Electric

Contact Manitoba Hydro in Winnipeg at 204-480-5900 or outside Winnipeg at 1-888-MBHYDRO (1-888-624-9376)

You will be referred to the local district office for further instruction.

REGULATIONS

There are several federal and provincial agencies overseeing the operation of and around natural gas pipelines and electric cables. The following regulations and safe practice guides specify requirements for both the contractor and the utility:

- Manitoba Gas Pipeline Act, Regulation 140/92 – Provides the legal definition of an excavation and outlines Excavator and Utility responsibilities.
- National Energy Board Pipeline Damage Prevention Regulations: Authorizations, SOR/2016-124; Obligations of pipeline companies, SOR/2016-133
- Manitoba Workplace Safety and Health Act and Regulation M.R. 217/2006 including Part 26, Excavations and Tunnels - Describes legal responsibilities in regards to excavating safely.
- Guideline for Excavation Work, Manitoba Workplace Safety & Health Division.
- CSA Z247 Damage Prevention Standard.

DEFINITIONS

Daylighting – A term used to describe the uncovering and exposing of underground utilities to daylight without the use of mechanical excavation.

Excavation – includes digging, boring, pushing, ploughing, trenching, grading, post installation and breaking and displacement of soil or other material below the existing level of the ground that will disturb more than the top 150 mm (6 inches) of the ground.

High Pressure gas line – A natural gas line that operates in excess of 700 KPa (100psi).

Hydrovac – A truck or trailer that injects pressurized water from an onboard reservoir tank into the ground through a handheld wand. As the soil cover is liquefied, the resulting slurry is simultaneously extracted by a powerful vacuum and stored in an onboard debris tank for later disposal.

Large diameter pipeline – A natural gas pipeline that is 168.3 mm (6 inches) in diameter or larger, regardless of operating pressure.

Safety Watcher – A person designated by Manitoba Hydro to ensure that workers are not put at risk as a result of special hazards on the work site.

Sonde - A transmitter behind the bore head which registers angle, rotation, direction and temperature data.

Tolerance Zone – The space in which a line or facility is located, and in which special care is to be taken.

White lining – Designating the route and/or work area of the excavation using white paint, stakes and/or flags to outline the work area prior to the locator arriving on the site.

EXCAVATOR PRE-MARKING

Pre-marking your proposed work site allows excavators to accurately communicate to Manitoba Hydro's facility locators where the excavation is to occur. This may be accomplished either electronically or by white lining.

For excavator pre-marking, contact ClickBeforeYouDigMB.com or call 1-800-940-3447 to communicate where the excavation is to occur and:

- Attach a sketch or map that clearly identifies the excavation area via email or
- Pre-mark the excavation area by white lining

In either scenario you will be issued a reference number and notified of the day the locator will be on site.

When a project is too large for or not conducive to pre-marking, face-to-face meetings between Manitoba Hydro's facility locator and the excavators will be arranged at the proposed work site.

White Line

The excavator designates the route and/or area of the excavation using white paint, stakes and/or flags to outline the work area prior to the locator arriving on the site.

White paint, white stakes or white flags with the excavator's company identifier on them are permissible methods of marking.

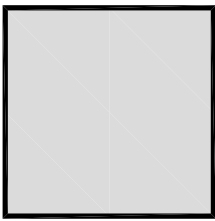
When using stakes or flags to mark the excavation work area, do not drive them into the ground deeper than 150 mm (6 inches). Any activity which disturbs more than 150 mm (6 inches) must have the facilities located.

Guidelines for excavation marking

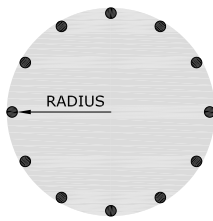
The following marking illustrations are examples of how excavators may choose to mark their area of proposed excavation. The use of white marking products (e.g. paint, flags, stakes, or a combination of these) may be used to identify the excavation site.

Mark in white paint the proposed area of excavation through the use of a continuous line, dots marking the radius or arcs, dashes marking the four corners of the project, or dashes outlining the excavation project. The recommended size of each dash is approximately 150 – 300 mm (6-12 inches) in length and 20 mm (3/4 inch) in width with interval spacing approximately 1 – 5 metres (3-16 feet) apart. The maximum separation of excavation marks is to be reduced to a length that can be reasonably seen by the operator's locators when the terrain or excavation site conditions warrant it. Dots of approximately 20 mm (3/4 inch) diameter are typically used to define arcs or radii and may be placed at closer intervals in lieu of dashes.

SINGLE POINT EXCAVATION MARKINGS

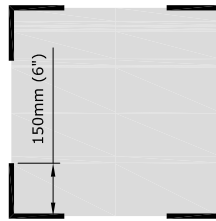


FULL LINE

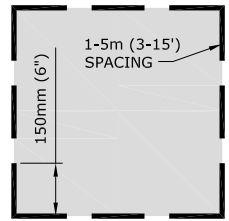


STAKE IN CENTRE WITH
COMPANY NAME & RADIUS
OF CIRCLE

RADIUS OR ARC



FOUR CORNERS



DASH LINE

If an excavation is contained within a 5 metre (16 feet) maximum radius then it can be marked with a single white stake at the centre of the excavation. The stake must clearly state the company identifier and the radius of the excavation in black lettering. This information must be conveyed to Manitoba Hydro.

After the area is Pre-Marked

On the appointed date, the locator will identify the Manitoba Hydro facilities that are located in the designated work area. They will document it using a sketch or map attached to the Electric and/or Natural Gas Facilities Locate Form.









When the locator has completed locating the facilities, they will advise the excavator and indicate whether there is a conflict. The Facilities Locate form will be available and must be on site prior to excavating.

The Manitoba Gas Pipeline Act, Regulation 140/92 and the Workplace Safety and Health Act, regulations M.R.217/2006, part 26.6 require that a valid Facilities Locate form be on the work site at all times until the project is complete.

If an excavation takes place without a current locate form on site, the locate is not valid. The excavator could face consequences which may include fines and/or sanctions by Manitoba Workplace Safety and Health and Manitoba Hydro.

APWA UNIFORM COLOUR CODE

Underground utility marking

	WHITE – Proposed Excavation
	PINK – Temporary Survey Markings
	RED – Electric Power Lines, Cables, Conduit and Lighting Cables
	YELLOW – Gas, Oil, Petroleum, or Gaseous Materials
	ORANGE – Communication, Alarm or Signal Lines, Cables or Conduit
	BLUE – Potable Water
	PURPLE – Reclaimed Water, Irrigation and Slurry Lines
	GREEN – Sewer and Drain Lines

GUIDELINES FOR EXCAVATION NEAR ELECTRICAL AND NATURAL GAS LINES

Hand Digging to Expose Lines

Mechanical excavation cannot be used within 1 metre (39 inches) of an electrical or gas line until the line is physically exposed by hand. Hand exposing means exposing a buried facility, whose location has been marked by Manitoba Hydro, using non-powered tools such as a Spade or shovel (hand augers are not acceptable). A water pressure/vacuum system (hydrovac) is an acceptable alternative.

There are several things to remember when hand exposing:

- No one should ever jump on or use their entire body weight on a shovel when digging.
- Use a prying (rather than striking) motion to loosen hard dirt.
- Never probe for the facility using a sharp pointed tool such as a pick axe or pointed bar.
- Dig on an angle if possible, such that any contact with the facility is a glancing blow rather than a direct hit.

Once the line is visible, mechanical excavation equipment can be used in accordance with the guidelines for mechanical excavation.

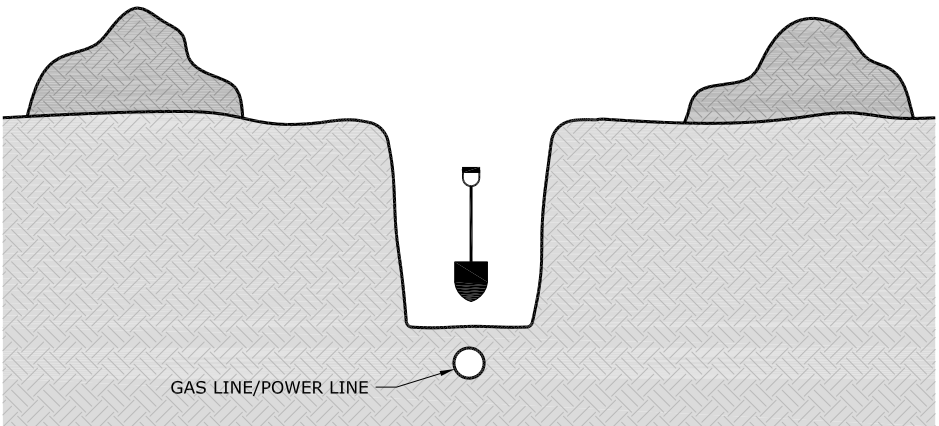
Water Pressure/Vacuum System (Hydrovac)

An alternative to exposing cables by hand digging is to use a water pressure/vacuum system capable of exposing Manitoba Hydro facilities without damage.

Only oscillating head type nozzles are to be used for the water wand. When excavating within 1 metre of a marked line the maximum setting of 38°C (100°F) water temperature and 10,342 Kpa (1,500 psi) must not be exceeded. The end of the vacuum tube shall be neoprene or equivalent. Expose the buried line by using a sweeping motion only, perpendicular to the locate markings, until the line is sighted. **IMPORTANT: After sighting, the line shall not be contacted by spray or vacuum to avoid damage to wraps and coatings.**

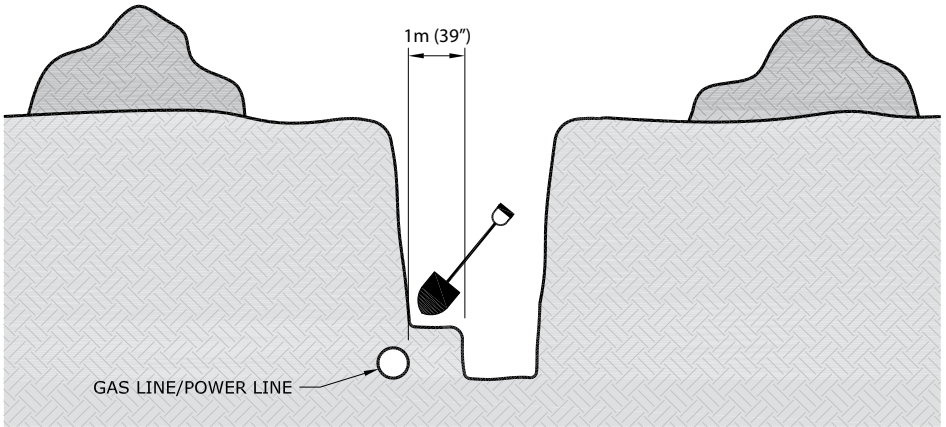
Some acceptable excavation methods:

a) Dig Vertically



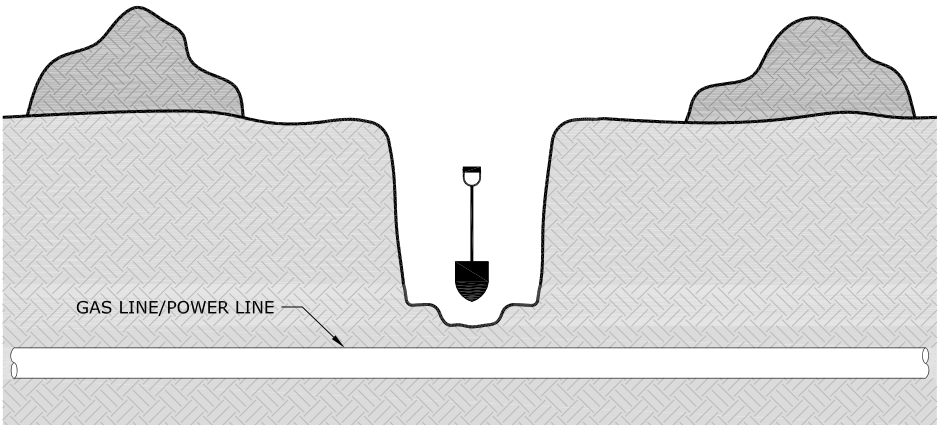
Dig a hole with a shovel directly above the line location until the line is exposed. Take care not to damage the line or coating. Mechanical excavation equipment **MUST NOT** be used to widen or deepen the hole before exposing the line.

b) Dig Laterally



Dig a trench or bell hole 1 metre (39 inches) from the line location, parallel to the line, then hand dig laterally to expose the line.

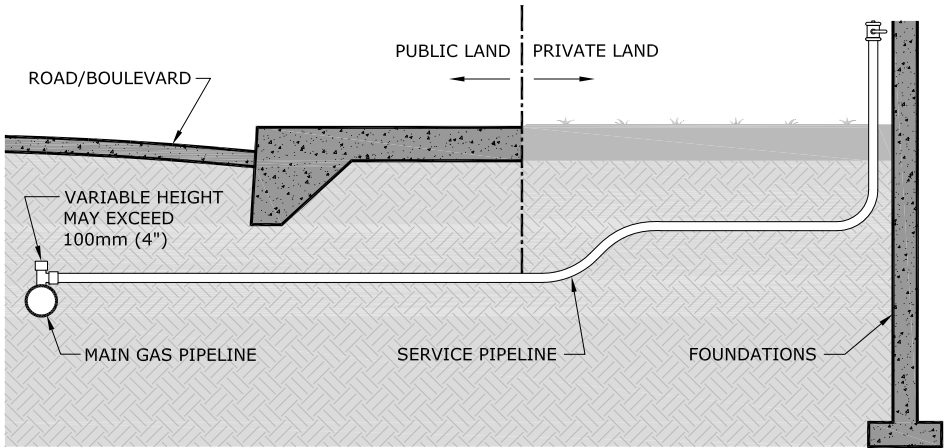
c) Dig Trench and excavate



Dig a trench by hand across the full width of the excavation (perpendicular to or “across from” the line). If the line is not uncovered, mechanically excavate to one half the depth of the trench. Repeat this process until the line is exposed.

Typical Gas Service Installation

(example only does not represent all installations)

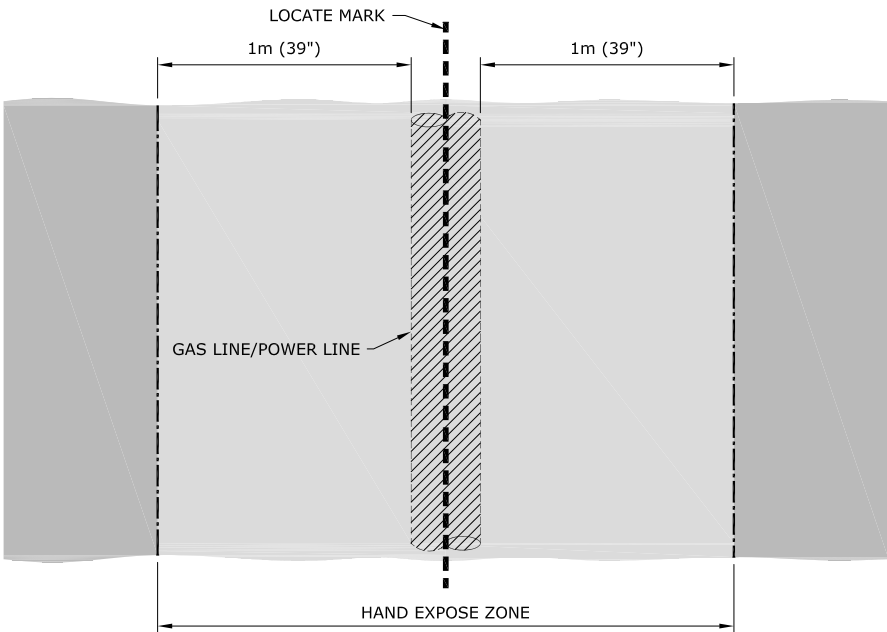


Fittings such as active or abandoned service tees may be present on gas pipelines, exercise care when excavating.

General Approach

- When the line is not visible, mechanical excavation shall not be used within 1 metre (39 inches) of an electrical or gas line.
- When the line is visible, mechanical excavation can be used no closer than 450 mm (18 inches) to natural gas lines and 600 mm (24 inches) to electrical lines.
- When soil conditions permit, a smooth edge bucket is preferred when excavating near gas and electrical lines.
- An observer (excavator staff) located near the line must maintain communication and control of the operator at all times by the use of hand signals and verbal communication. The observer is responsible for maintaining the minimum distance from the pipe. If at any point the observer or operator is unclear of the location or orientation of the line, no digging shall occur until this is confirmed and agreed upon by all on the worksite.

Before line is exposed



Crossing Lines

- When crossing a line, the line is to be exposed for the width of the excavation.
- After the line is daylighted, and provided there is space for excavator access, it is recommended that excavation near the line be performed parallel to the line.

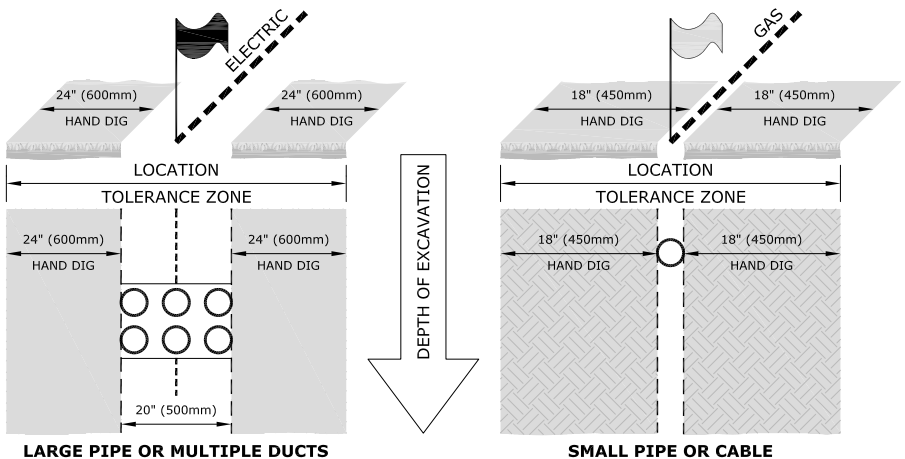
Working Parallel to Lines

- When working parallel to a line it is not necessary to expose the full length of the line to reduce the acceptable mechanical excavation separation. A series of daylight holes along the line is acceptable. The distance between daylight holes will be a maximum of 10 metres (33 feet) or as required to define the location of the line. Daylight holes must be large enough to expose the full width of the line or lines.
- After daylighting and previewing of the line, marks shall be placed a minimum of 450 mm (18 inches) from the outside of the line at each daylight hole for gas and 600 mm (24 inches)

for electrical lines. This tolerance zone should be marked along the entire length of the work area to ensure that the operator maintains proper alignment with the line. With the line daylighted and the tolerance zone marked, it is acceptable to use mechanical excavation on the outside of the marked line of the tolerance zone.

- If at any point the line becomes obscured, it shall be remarked immediately. The observer is responsible for maintaining the minimum distance from the pipe by confirming the machine's distance and alignment with the line. The operator will orient his machine parallel to the line so their bucket remains more than 450 mm (18 inches) away for gas and 600 mm (24 inches) away for electric lines. They must preview the work prior to entering their machine and prior to any trenching.

Once line is exposed



Hard Surface Removal

- Mechanical equipment can be used to remove the asphalt or concrete road/sidewalk surface and should only be used to the depth of that surface.
- Avoid starting the pavement break directly over the marked facility.
- Start a few feet away from the marks and attempt to “peel off” the pavement or break it into small chunks for removal.

Line Exposed

When a length of line is exposed consult the utility for proper handling procedures. The line may need to be supported to prevent settling or sagging.

No Relocation

The line shall not be moved or relocated. No operation or work shall be done that would put stress on the line.

Inspect for Damage

Electric Power Lines – If you suspect a power cable has been damaged, contact Manitoba Hydro to inspect the cable. Do not contact the cable as it may be energized.

Gas Pipelines – Thoroughly clean (with water only) and inspect the exposed gas line for damage to the pipe, yellow plastic pipe covering or tracer wire (used on plastic pipe). If damage is found, notify Manitoba Hydro. They will repair minor damage to the pipe coating or tracer wire at no charge.

Report Contact or Damage – Any contact with or damage to any line or underground cable must be reported immediately to Manitoba Hydro.

Backfilling

To prevent settling or stress, the contractor is required to place clean fill under the power or gas line and compact the fill. The backfill material must be free of rocks, sharp objects or other material that could damage the line.

If the backfill material is frozen, it should be free of large frozen lumps of soil. The backfill material must be gradually placed, not dumped, on the line. Alternatively, the line may be hand padded with 300 mm (12 inches) of screened sand or soft fill before backfilling.

If mechanical protection is required, or if the backfill contains rocks, the cable or pipeline must be enclosed in a 150 mm (6 inches) envelope of screened sand.

Access

Manitoba Hydro utility personnel shall have access to the excavation to inspect the underground line at any time during construction.

Project Closeout

When the excavation project has been completed all flags and stakes used to mark gas and electric lines shall be removed from the site.

SAFETY WATCH

Safety Watch is a program where an employee qualified by Manitoba Hydro observes the excavation work in progress and determines actions to be taken by the contractor to prevent injury, property damage or damage to Manitoba Hydro facilities.

Safety Watch personnel work with the excavator to check that:

- the excavation is done safely;
- rules and procedures related to the excavation are followed;
- the plant is located accurately;
- all documentation is accurate and complete;
- Hydrovac guidelines are followed.

Safety Watch personnel shall be recognized as an authority on site with the ability to shut the job down.

When is a Safety Watch required?

Any excavation within 3 metres (10 feet) of a cable or pipeline may require a Safety Watch. The need for a safety watch will be assessed and identified on the Facilities Locate form. The decision to provide a Safety Watch will be based on the excavation proposed, the type of cable or pipeline, and the proximity of the excavation to the cable or pipeline.

Why is a Safety Watch done?

Safety Watch service is provided to ensure the safety of customers and their contractors when working in close proximity to either energized electrical or pressurized gas lines. In addition, this protects the integrity of the utility lines minimizing the chance of an outage.

NOTE: Typically, Safety Watch personnel are not provided for low voltage conductors (under 750 volts) or distribution pressure gas mains and services under 168.3 mm (6 inches) diameter. However, Manitoba Hydro staff may assess the situation and choose to provide Safety Watch personnel where conditions warrant.

Who pays for a Safety Watch?

Generally, Safety Watch service is provided at no cost to the homeowner for minor projects. For larger projects, the contractor may be charged at a cost shared rate. Contact the local district office for further information.

How to arrange for a Safety Watch.

When an underground line is located in response to a Click Before You Dig request, the Manitoba Hydro employee will indicate whether a Safety Watch is required. Call Manitoba Hydro to arrange for a Safety Watch appointment a minimum of three business days before any excavation is to occur.

DIRECTIONAL BORING – CONTRACTOR GUIDELINES

As with all ground disturbance activity, the excavator must first obtain a facilities locate from Manitoba Hydro.

The distance measured to Manitoba Hydro electrical conductor or gas pipeline must always be measured from the **outside** diameter or wall of the Manitoba Hydro facility to the outside diameter of the back reamer. The same measuring methodology must be used when paralleling Manitoba Hydro facilities.

When boring within the tolerance zone of a high pressure or large diameter gas pipeline or any critical distribution gas pipeline or electrical conductor, as identified by Manitoba Hydro's Facilities Locate personnel, qualified natural gas or electric Safety Watch personnel are required.

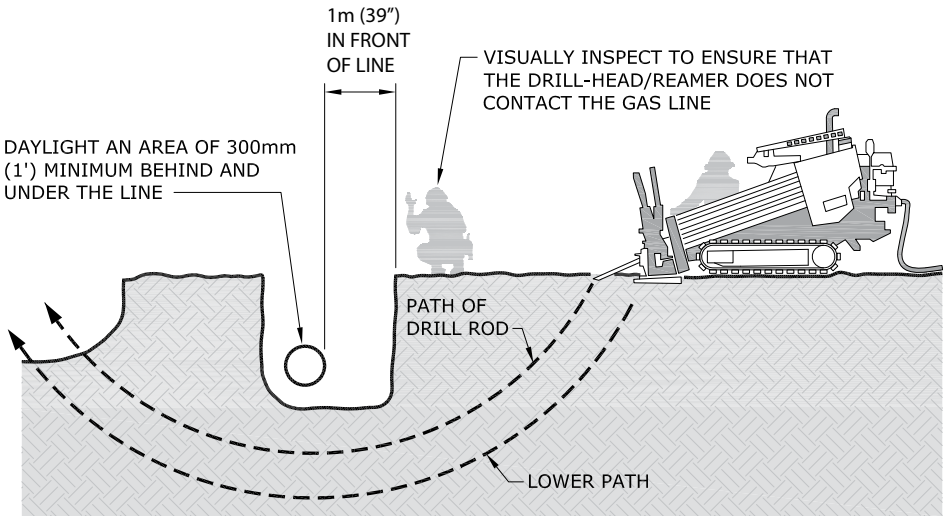
Electrical Conductors and Gas Pipelines

Prior to directional boring across Manitoba Hydro gas and electrical lines, the buried depth must be confirmed. Acceptable practice to verify line depth is to:

- Expose the line by hand digging, or
- Expose the line by water pressure/vacuum excavation; or
- Locate on the side wall of a trench that has been excavated 1 metre (39 inches) on either side of the surface locates; or
- Use reference measurements that are known to be accurate, for example: electrical duct lines.

The drill head and/or back reamer should at all times maintain a minimum of 1 metre (39 inches) clearance from all Manitoba Hydro lines.

Where underground facility congestion does not effectively allow a 1 metre (39 inches) clearance/separation from Manitoba Hydro lines, the contractor may consult with Manitoba Hydro Engineering for site specific direction. Any deviations in clearances/separations must be provided in writing and must be present on-site when the work is being performed.



Observation Hole Required When Crossing Any Manitoba Hydro Facility

The accuracy of the drill head location and depth must be visually verified 1 metre (39 inches) prior to crossing Manitoba Hydro facilities. An observation or discovery hole is required.

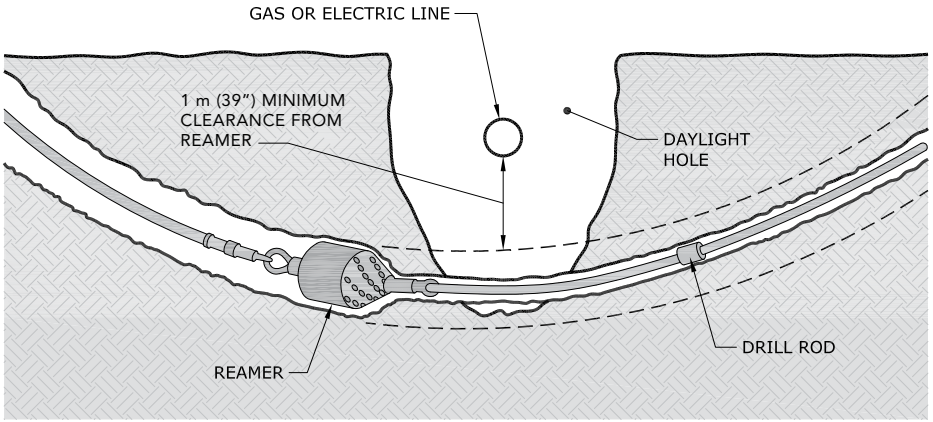
Acceptable practice for opening up the observation hole is using water pressure/vacuum or hand digging.

When boring head and/or back reamers path is crossing above a natural gas pipeline or electrical conductor the boring head and/or back reamer must be visually observed crossing the facility.

When the boring head and/or backreamer's path is crossing below a gas pipeline or electrical conductor an observer must verify that the bore head and/or reamer does not enter the observation hole within 1 metre of the line.

The minimum dimensions of the observation/discovery hole MUST BE:

- 1 metre (39 inches) in front of the gas pipeline or electrical conductor on the near side of the bore path;
- 300 mm (12 inches) on the far side of the bore path;
- 300 mm (12 inches) on each side of the bore path;
- 300 mm (12 inches) below natural gas pipeline or electrical conductor.



Drilling Parallel to Manitoba Hydro Facilities

Paralleling Electrical Conductors & Natural Gas Pipelines

There must be 1 metre (39 inches) of separation between the outside diameter of the back reamer assembly and the outside diameter of any Manitoba Hydro electrical conductors or natural gas pipelines.

NOTE: When drilling within 1 metre (39 inches) horizontally, the drill must be kept at a depth either deeper or shallower than the existing electrical conductor or natural gas pipeline to maintain 1 metre (39 inches) separation when measured diagonally.

If 1 metre (39 inches) horizontal separation cannot be maintained, the electrical conductor or natural gas pipeline adjacent to the bore path must be exposed. When it is not possible to de-energize electrical conductors, a Safety Hold-Off must be in place and qualified Safety Watch personnel must be on site.

When suspected of drilling within 1 metre (39 inches) of any gas or electrical lines determined by the boring head (sonde) position readings and the proximity to the locate marks, the location of the conductor or pipeline shall be verified; the electrical conductor or natural gas pipeline adjacent to the bore path must be hand exposed or exposed by water pressure/vacuum excavation as determined by Manitoba Hydro. The frequency of exposures depends on the consistency of the alignment of the existing facility.

Manitoba Hydro facilities must be exposed a minimum of once every 10 metres (33 feet), to confirm alignment. Where there is an alignment change indicated by the locator marks, the Manitoba Hydro facility shall be visually confirmed at each alignment deviation.

UNPLANNED CONTACT WITH ELECTRIC OR NATURAL GAS LINES

This guideline applies to people who come in contact with or simply expose a buried utility line while excavating.

Anyone who comes in contact with buried utility lines should contact the utility owner immediately. Although there may be no apparent external damage, the impact of striking a line can cause internal structural damage that can only be determined and repaired by qualified utility personnel. Generally, we do not charge for this inspection and coating repair.

Abrasions

Even if contact does not cause the utility line to stop working, a nick or cut to the outer, protective sheath of the utility line can allow ground water, laden with salts and other caustic substances, to corrode the line. Abrasions may compromise the sidewall strength of a plastic, steel or aluminum gas line.

Aerial

Cables suspended along utility poles can easily be damaged if struck by a vehicle or a mechanical implement like a hydraulic lift. Cable clamps and other attachments can be pulled apart and component housings may hide damage to the electronic equipment inside.

Stop Work

If any equipment is snared in the utility lines, it should be left in place. Trying to extract, flex or manipulate the line can compound the damage. Operations at the site shall stop immediately. Operators should stay in the equipment unless it is not safe (as in the case of a fire) and all others should be kept clear of the equipment as it may have become energized. If you must leave the equipment, jump clear with both feet together so you are not in contact with the equipment and the ground at the same time. Continue to hop or shuffle with your feet close together until you are a safe distance away.

Call It In

The person involved in the incident should call Manitoba Hydro immediately and report the location of the hit. (In Winnipeg at 204-480-5900 or outside of Winnipeg at 1-888-624-9376.) The exact address, or street intersection, along with what type of contact occurred, will help the utility respond in an appropriate manner.

Click  **Before**
YouDigMB.com[®]

Or call 1-800-940-3447

In addition to contacting
ClickBeforeYouDigMB.com
be sure to contact other
underground services in the area.

For more information visit
hydro.mb.ca



My Cart | My Part Lists | Sign In/Register

English (Change)

What can we help you find?

Submit

[Products](#) [Industries](#) [Resources](#) [About TE](#) [My Account](#) [Innovation](#) [Support Center](#)

GELCAP-SL-2/0-3HOLE(B10) Product Details

Share Print Email



GELCAP-SL-2/0-3HOLE (B10)

TE Internal Number: F40658-000
 Active

Power Cable Splices, Repair Sleeves and End Seals

Always EU RoHS/ELV Compliant (Statement of Compliance)

Product Highlights:

- Cable Splice
- Splice Type = Stub Splice
- Splice Style = Cap
- GelCap-SL Series
- Motor Connections Application, Street Lights Application

[View all Features](#)

Quick Links

- [Pricing & Availability](#)
- [Search for Tooling](#)
- [Product Feature Selector](#)
- [Contact Us About This Product](#)

[Add to My Part List](#) [Request Sample](#) [Find Similar Products](#) [Buy Product](#)

Documentation & Additional Information

Product Drawings:
 • None Available

Catalog Pages/Data Sheets:
 • None Available

Product Specifications:
 • None Available

Application Specifications:
 • None Available

Instruction Sheets:
 • None Available

CAD Files:
 • None Available

Additional Information:
 • [Product Line Information](#)

Related Products:
 • [Tooling](#)

Product Features (Please use the Product Drawing for all design activity)

Product Type Features:

- Product Type = Cable Splice
- Splice Type = Stub Splice
- Splice Style = Cap
- Series = GelCap-SL
- Cable Type = Polymeric
- Retention Type = Clamp
- Armored Cable = No
- Jacketed Cable = With

Mechanical Attachment:

- Installation Type = Cold Applied

Configuration Features:

- Conductor (Wire) Size = #14 - 2/0
- Cable Shielding = Without

Industry Standards:

- [RoHS/ELV Compliance](#) = RoHS compliant, ELV compliant
- [Lead Free Solder Processes](#) = Not relevant for lead free process
- [RoHS/ELV Compliance History](#) = Always was RoHS compliant

Printer/Label Features:

- Voltage Rating (kV) = 0.6

Operation/Application:

- Application = Motor Connections, Street Lights

Other:

- Brand = Raychem
- Comment = Clear cap to allow visual inspection.; Port B - power port to light - #14-6 AWG; Kits include connectors

Corporate Information

- [About TE](#)
- [Investors](#)
- [News Room](#)
- [Supplier Portal](#)
- [Careers](#)
- [Terms & Conditions](#)
- [Privacy Policy](#)

Quick Links

- [Distributor Inventory](#)
- [Product Cross Reference](#)
- [Documents & Drawings](#)
- [Product Compliance Support Center](#)
- [Site Map](#)

Customer Support

- [Email or Chat With Us](#)
- [Find a Phone Number](#)
- [Knowledge Base](#)
- [Manage Your Account](#)

Keep Me Informed





ELECTRIC AND/OR NATURAL GAS FACILITIES LOCATE
DEMANDE DE LOCALISATION DE CONDUITES
D'ÉLECTRICITÉ ET DE GAZ NATUREL

In case of Emergency, call /
 En cas d'urgence, composez le
 480-5900 or / ou
 1-888 MB HYDRO (1-888-624-9376)
 outside / à l'extérieur de Winnipeg



Address or location of work / Adresse ou site des travaux			Notice given by / Avis signifié par		
Name of contact on site / Nom de la personne-ressource sur le site		Contact tel. no. / Tél. de la personne-ressource	Company name (if applicable) / Nom de l'entreprise (s'il y a lieu)		Company tel. no. / N° de tél. de l'entreprise
Description of work / Description des travaux					
Map no. / N° de carte	MIT Application #	Asbuilt no. / N° de plan définitif	DATE REQUIRED / DATE DEMANDÉE	yyyy mm dd / a. m. j.	TIME REQUIRED / HEURE DEMANDÉE
					hh mm / h min. <input type="checkbox"/> A.M. <input type="checkbox"/> P.M.

High pressure / Haute pression	Gas main / Conduite principale de gaz	Service line / Ligne de desserte	Size / Taille	High voltage > 750 V / Haute tension > 750 V	Secondary / Secondaire	Overhead line / Ligne aérienne	Under-ground cable / Câble souterrain	Address or location of work / Adresse ou site des travaux

Excavation constitutes a danger to the electrical cables and natural gas mains indicated below. / Les travaux d'excavation comportent des risques pour les câbles électriques et les conduites de gaz naturel indiqués ci-dessous.

Only the following utilities have been marked / Les services suivants sont les seuls à avoir été marqués :

- Electrical / Électrique :** RED markings, flags or marked stakes indicate power utility cables. / Les marques, les drapeaux ou les piquets **ROUGES** indiquent la présence de câbles électriques.
- Natural Gas / Gaz naturel :** YELLOW markings, flags or marked stakes indicate natural gas lines. / Les marques, les drapeaux ou les piquets **JAUNES** indiquent la présence de conduites de gaz naturel.

Sketch is for illustration purposes only. It is not to scale or in reference to property lines. Refer to actual stakes or markings for location(s). / Le croquis n'est qu'une illustration. Il n'est pas à l'échelle et il ne représente pas les limites des propriétés. Pour connaître l'emplacement exact, consulter les marques ou les piquets eux-mêmes.

Location or sketch / Emplacement ou croquis

See attached / Voir document ci-joint

<input type="checkbox"/> SAFETY WATCH REQUIRED / EXIGENCE DE SURVEILLANCE DE SÉCURITÉ : <input type="checkbox"/> Electricity / Électricité <input type="checkbox"/> Natural Gas / Gaz naturel Notify the Utility at least 2 business days in advance of excavation to request a Safety Watch / Avertir l'entreprise 2 jours ouvrables avant les travaux d'excavation pour demander une surveillance de sécurité.	<input type="checkbox"/> Work area is within three metres of overhead line. / La zone de travail est à moins de 3 mètres de distance d'une ligne aérienne.	Utility contact name / Personne-ressource (entreprise)	Tel. no. / N° de tél.
	<input type="checkbox"/> Excavation area is within three metres but at least one metre away from power cable or gas line location. / La zone d'excavation est à moins de 3 mètres et à plus d'un mètre d'un câble électrique ou d'une conduite de gaz.	<input type="checkbox"/> Hand dig within one metre of all markings/staking. / Creusez manuellement à moins d'un mètre des marques et des piquets.	<input type="checkbox"/> Contact the Utility for further instructions before working/digging. / Communiquez avec le service public avant de commencer à travailler ou à creuser pour obtenir des instructions additionnelles.

Prepared by (print name) / Fait par (nom en caractères d'imprimerie)	Employee signature / Signature de l'employé(e)	DATE ADVICE GIVEN / DATE DES CONSEILS	yyyy mm dd / a. m. j.
Received and conditions noted by (print name) / Reçu et conditions acceptées par (nom en caractères d'imprimerie)		Signature / Signature	

The recipient (must be 18 years of age or older) acknowledges receipt of the advice herein; and accepts and agrees to the Terms and Conditions as set out on the reverse. / Le récipiendaire, qui doit être âgé de 18 ans ou plus, reconnaît avoir reçu les conseils indiqués dans la présente et accepte les conditions générales indiquées au verso.

DISTRIBUTION / DISTRIBUTION : ORIGINAL / ORIGINAL – Office / Bureau COPY / COPIE : Customer / Abonné

TERMS AND CONDITIONS:

Wherever used herein, Utility refers to Manitoba Hydro and any employees or agents of the Utility.

You, by signing the front of this Electric and/or Natural Gas Facilities Locate, acknowledge that you are the owner, or an authorized agent for the owner of the location(s) of the excavation ("You") and You agree as follows:

1. The Utility shall not be liable for any claims, damages, costs, liability, damage to property, or injury or death arising from, or caused by the work or excavation, or failure to abide by the location advice or any other terms or conditions provided herein;
2. You agree to indemnify the Utility, its successors and assigns, from and against all causes of action, claims, damages, costs, liability, demands, damage to property, and injury or death which may be alleged, claimed or brought against the Utility by You, your heirs, successors, assigns, employees, contractors, invitees, or by any other third party, in respect or arising out of the work or excavation, or failure to abide by the location advice or any other terms or conditions provided herein;
3. You are responsible to provide supervision and safety watching services in respect of any work or excavation, unless it is otherwise indicated herein that the Utility shall provide same, in which case You are responsible to arrange for same with the Utility as outlined herein;
4. You shall immediately upon demand reimburse the Utility for any losses, claims, costs, or damages to the facilities of the Utility caused by or arising out of the work or excavation, or failure to abide by the location advice or any other terms or conditions provided herein.

INSTRUCTIONS:

Do not excavate (including digging, boring, pushing, ploughing, or trenching the ground) without first hand digging to expose lines at a number of locations sufficient to determine their exact position and depth. If any location appears not to coincide with the markings or stakes, contact the Utility for confirmation of the location. If exposed by the excavation, cable or pipe must be inspected by the Utility for damage or safety hazards.

Do not attempt to locate lines by probing the ground with any pointed tool or object.

Stakes and markings are provided only for the work area specified by you. If work has not started within 14 days after the locate is completed by the Utility, you must again notify the Utility to re-mark the work area and provide an updated Electric and/or Natural Gas Facilities Locate form. Notify the Utility of any changes in the nature of work or work area at least two business days before beginning excavation. This form must be kept at the work area until all work has been completed. Any changes in the work or work area that was originally specified by you may require additional staking. Work should not proceed until you have received a new Electric and/or Natural Gas Facilities Locate and all facilities are located and marked.

During the course of the work on any excavation, the excavator shall maintain, and keep in a visible condition, any markings placed there by the Utility. Do not proceed if the stakes or marks have become obliterated or are displaced. From the start of the excavation and until work and backfilling is completed, you must take every precaution to ensure that no damage will result to the lines, their coatings, protective wrapping or cathodic protection devices and no stress will be applied to the lines.

Do not move lines or other installations, dangerous conditions may result at this or other locations.

Safety Watch and High Pressure excavations (as indicated on the front of this form) must be supervised by the Utility.

CAUTION:

Notify the Utility of any damage, or gas and power line disturbances immediately at 480-5900 or 1 888 MB HYDRO (1-888-624-9376) outside Winnipeg.

If natural gas leaks, you must do the following:

- Notify all persons in any premises that may be affected
- Keep traffic and pedestrians out of the area; and
- Do not backfill any damaged facilities until the damage has been inspected by the Utility and the Utility has authorized the backfill.

Leaking natural gas must be allowed to dissipate into the air.

BACKFILLING PRECAUTIONS:

When backfilling, ensure that the cables or pipes will remain in their original position during settlement by thoroughly tamping the backfill under them; and keeping them supported.

Manitoba Hydro only locates facilities that it owns and has no knowledge of or responsibility for locating facilities owned by others.

These instructions are provided as an on-site reference. All excavations must adhere to the current Department of Labour Workplace Safety and Health Regulations and Manitoba Gas Pipe Line Excavations Regulations of the Gas Pipe Line Act. Copies of these acts can be obtained from the Utility or the Queen's Printer.

CONDITIONS GÉNÉRALES

Dans les présentes, chaque fois que le terme « Entreprise » est utilisé, il fait référence à Manitoba Hydro, ainsi qu'à tout employé ou agent de l'Entreprise.

En signant au recto le présent formulaire de demande de localisation des conduites d'électricité et de gaz naturel, vous reconnaissez que vous êtes le propriétaire de l'emplacement (des emplacements) de l'excavation ou un agent autorisé de ce dernier (« vous ») et vous convenez de ce qui suit :

1. *L'Entreprise ne doit pas être tenue responsable de toute réclamation ou responsabilité, ou de tous dommages-intérêts, coûts ou dommages causés à la propriété, ou de toute blessure ou tout décès découlant de l'excavation ou causés par cette dernière, ou par tout défaut de respecter les conseils relatifs aux excavations ou toute condition de la présente demande.*
2. *Vous acceptez de garantir l'Entreprise, ses successeurs et ayants droit, contre toute cause d'action, réclamation, responsabilité ou obligation, ou contre tous dommages-intérêts, coûts ou dommages causés à la propriété, ou contre toute blessure ou tout décès qui peuvent être présumés, réclamés ou déposés contre l'Entreprise par vous-même, vos héritiers, successeurs, ayants droit, employés, entrepreneurs ou invités, ou par toute tierce partie, relativement aux travaux ou à l'excavation ou à tout défaut de respecter les conseils relatifs aux excavations ou toute condition de la présente demande.*
3. *Il vous incombe de fournir une supervision et des services de surveillance de sécurité en rapport avec vos travaux ou votre excavation, sauf s'il est indiqué ailleurs dans la présente demande que l'Entreprise est responsable de fournir une telle supervision et de tels services de surveillance. Dans un tel cas, vous êtes responsable de prendre les dispositions appropriées avec l'Entreprise pour assurer une telle supervision et de tels services de surveillance.*
4. *Sur demande, vous devez rembourser immédiatement à l'Entreprise toutes les pertes ou sommes réclamées, ou tous les coûts, dommages-intérêts ou dommages causés aux installations de l'Entreprise qui découlent des travaux ou de l'excavation ou qui sont causés par ces derniers ou par tout défaut de respecter les conseils relatifs aux excavations ou toute condition de la présente demande.*

INSTRUCTIONS

N'entrez jamais des travaux d'excavation, y compris le creusage ou le forage de trous, l'entassement ou le labourage du sol, ou le creusage d'une tranchée, sans tout d'abord creuser manuellement pour exposer les conduites à suffisamment d'endroits pour établir leur position et leur profondeur exactes. Si un emplacement ne semble pas coïncider avec les marques ou les piquets, communiquez avec l'Entreprise pour confirmer l'emplacement. Toute ligne ou conduite exposée par les travaux d'excavation doit être inspectée par l'Entreprise afin de vérifier si elle présente des dommages ou des risques pour la sécurité.

N'essayez jamais de localiser des conduites en sondant le sol à l'aide d'un objet ou d'un outil pointu.

Les piquets et les marques ne sont fournis que pour la zone des travaux que vous délimitez. Si les travaux ne sont pas entrepris dans les quatorze jours qui suivent la localisation effectuée par l'Entreprise, vous devez communiquer avec l'Entreprise pour faire poser à nouveau des piquets et soumettre un formulaire de localisation de lignes électriques et de conduites de gaz naturel mis à jour. Vous devez signaler à l'Entreprise toute modification apportée à la nature ou à la zone des travaux au moins deux jours ouvrables avant d'entreprendre l'excavation. Ce formulaire doit demeurer sur le site des travaux jusqu'à ce qu'ils soient terminés. Toute modification apportée à la nature ou à la zone des travaux originalement délimitée peut exiger un piquetage additionnel. Les travaux ne devraient pas être entrepris avant que vous ne receviez un nouveau formulaire de demande de localisation de conduites d'électricité et de gaz naturel et que toutes les installations ne soient localisées et marquées.

Les piquets et les marques doivent demeurer visibles et en bon état. N'entrez pas les travaux si les piquets ou les marques ont disparu ou ont été déplacés. Du début de l'excavation jusqu'à son parachèvement, y compris le remblayage, vous devez prendre toutes les précautions nécessaires pour veiller à ce que les lignes, leur revêtement, leur enveloppe protectrice et les dispositifs de protection cathodique ne soient pas endommagés et à ce qu'aucune contrainte ne s'applique aux lignes.

Ne déplacez pas les lignes ou les autres installations, car cela peut créer des conditions dangereuses à cet emplacement ou à d'autres emplacements.

Toute excavation qui exige une surveillance de sécurité ou porte sur des conduites haute pression (voir le recto du présent formulaire) doit être supervisée par l'Entreprise.

ATTENTION

Vous devez signaler immédiatement à l'Entreprise tous les dommages ou toute perturbation des conduites en composant le 480-5900 ou le 1 888 MB HYDRO (1 888 624-9376) (à l'extérieur de Winnipeg).

En cas de fuite de gaz naturel, vous devez adopter les mesures suivantes :

- **Avertissez toutes les personnes qui sont dans les locaux qui peuvent être visés.**
- **Éloignez les piétons et la circulation automobile de la zone.**
- **Ne remblayez jamais des installations endommagées avant que l'Entreprise n'inspecte les dommages et n'autorise le remblayage.**

Le gaz naturel qui fuit doit avoir la possibilité de se dissiper dans l'air ambiant.

PRÉCAUTIONS RELATIVES AU REMBLAYAGE

Pendant le remblayage, vous devez veiller à ce que les conduites demeurent dans leur position originale pendant le tassement du sol en pilonnant soigneusement le matériau de remblayage sous eux et en les supportant adéquatement.

Manitoba Hydro n'effectue que la localisation des installations qu'elle possède. Elle n'a aucune connaissance des installations que possèdent les autres services publics et n'assume aucune responsabilité pour la localisation de ces installations.

Les présentes instructions sont offertes à titre de référence sur place. Toute excavation doit se conformer au Règlement sur les excavations effectuées à proximité des conduites de gaz de la Loi sur les gazoducs, ainsi qu'aux règlements pertinents sur la sécurité et l'hygiène au travail du ministère du Travail. Vous pouvez vous procurer des exemplaires des documents en vous adressant à l'Entreprise ou aux Publications officielles du gouvernement provincial.

5. HAVE WE CONSIDERED (It is critical that we make note of any changes that may occur during the work cycle)				
People	Procedures	Hardware/Equipment	Environment	Workers Affect on Environment
<input type="checkbox"/> Qualification of personnel <input type="checkbox"/> Other work groups/contractors <input type="checkbox"/> Effective Communication <input type="checkbox"/> Worker fatigue <input type="checkbox"/> Pedestrian control <input type="checkbox"/> General public <input type="checkbox"/> Traffic control <input type="checkbox"/> Safety watcher	<input type="checkbox"/> Limits of approach <input type="checkbox"/> De-energize/Isolation of apparatus <input type="checkbox"/> Safety hold off/Blocking required <input type="checkbox"/> Switching orders <input type="checkbox"/> Adequate cover-up <input type="checkbox"/> Grounding apparatus and vehicles <input type="checkbox"/> Work permit/Clearance to work <input type="checkbox"/> Permit checklists (soft dig, confined space, etc.) <input type="checkbox"/> Review rescue procedures <input type="checkbox"/> Spiking/Stethoscoping <input type="checkbox"/> Cut Hazards/Cut Resistant Gloves	<input type="checkbox"/> Inspection of equipment <input type="checkbox"/> Inspection of tools & PPE <input type="checkbox"/> Inspection of vehicles <input type="checkbox"/> Condition of structures <input type="checkbox"/> Safe loads for rigging <input type="checkbox"/> Adequate cover-up <input type="checkbox"/> Specialized tools - calibrated/tested & up-to-date	<input type="checkbox"/> Environment checklist <input type="checkbox"/> Underground locates <input type="checkbox"/> Weather conditions <input type="checkbox"/> Soil conditions/Shoring <input type="checkbox"/> Lighting conditions <input type="checkbox"/> Adjacent structures/Vegetation <input type="checkbox"/> Housekeeping <input type="checkbox"/> Emergency plan/procedure <input type="checkbox"/> Open excavations/Trench <input type="checkbox"/> Distractions and Interruptions	<input type="checkbox"/> Cause erosion <input type="checkbox"/> Release/spills (liquids/gases/solids) <input type="checkbox"/> Waste disposal (liquids/solids) <input type="checkbox"/> Noise <input type="checkbox"/> Fire <input type="checkbox"/> Species at risk (plant and animal) <input type="checkbox"/> Disturbing waterways/drainage/wetlands/burial grounds <input type="checkbox"/> Wildlife Habitat <input type="checkbox"/> Bio Security
WHAT ARE THE CHANGES?		HOW WILL THIS AFFECT YOUR WORK?		

6. HUMAN ERROR REDUCTION TOOLS (Consider which HER Tools you need to safely execute task or Critical Steps)		
<input type="checkbox"/> Stop When Unsure / Know When to Stop Stop when unclear on task / outcomes	<input type="checkbox"/> Procedure Use and Adherence Verify correct / accurate procedure	<input type="checkbox"/> Self Check STAR Stop / Think / Act / Review
<input type="checkbox"/> Questioning Attitude Identify confusion / doubt / uncertainty	<input type="checkbox"/> Effective Communication Send message / paraphrase back / acknowledge	

7. PERSONS WORKING ON THE JOB			
Designated person in charge (Print Name):	Crew cell no.:	Designated person in charge (Signature):	Date: yyyy mm dd
Print Full Names and classification of crew members:			
yyyy mm dd	Initial/Sign off for Tailboard Discussion		

8. OTHER CREWS AND VISITORS		
Be aware of all work crews in the area.	Multi-crew job coordinator: _____ Cell phone: _____	
WHAT OTHER CREWS ARE ON SITE	PERSON IN CHARGE	HOW WILL THEIR JOB AFFECT YOURS

Any visitors to your site shall read and sign your Plan.

WORKSITE VISITOR SIGN OFF	DATE yyyy mm dd	WORKSITE VISITOR SIGN OFF	DATE yyyy mm dd

Network number

WORK CATEGORIES	APPLICABLE		STATE ALL DEFICIENCIES OR DISCREPANCIES	CORRECTIONS COMPLETED	
	Yes	No		Department	yyyy mm dd
Poles					
Primary System					
Secondary System					
Transformer					
Equipment Data					
Street Lights					
Connect/ Disconnects					
Regulator					
Capacitors					
URD Secondary					
URD Primary					
Terminals					
Materials Location/Condition					
Site Condition					
Sub Transmission System					
Transmission System					
Station System					
GPS Locations Synchronized					

SIGN OFFS (Network Authenticated Signatures):			
Deficiencies identified by (Customer Service Center Representative)	yyyy mm dd	Corrections completed by	yyyy mm dd
WORK COMPLETION			
I hereby accept the Construction and Workmanship of this Order and Consider it to be Complete.			
Accepted as complete by (Customer Service Center Representative)	yyyy mm dd	Accepted as complete by (Construction Manager)	yyyy mm dd