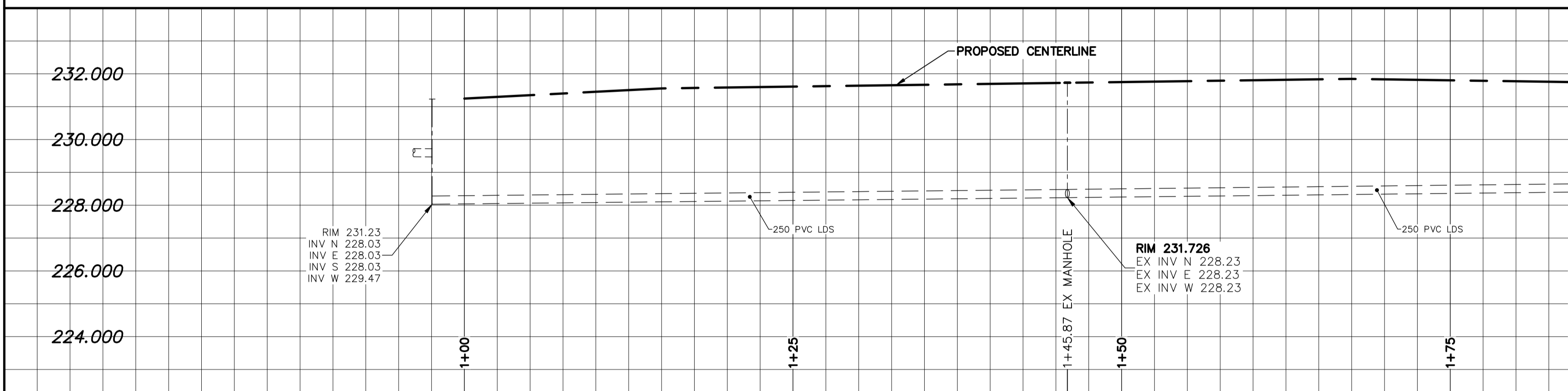


ALLEY PAVEMENT PROFILE
SCALE: 1:250 HOR
1:10 VER

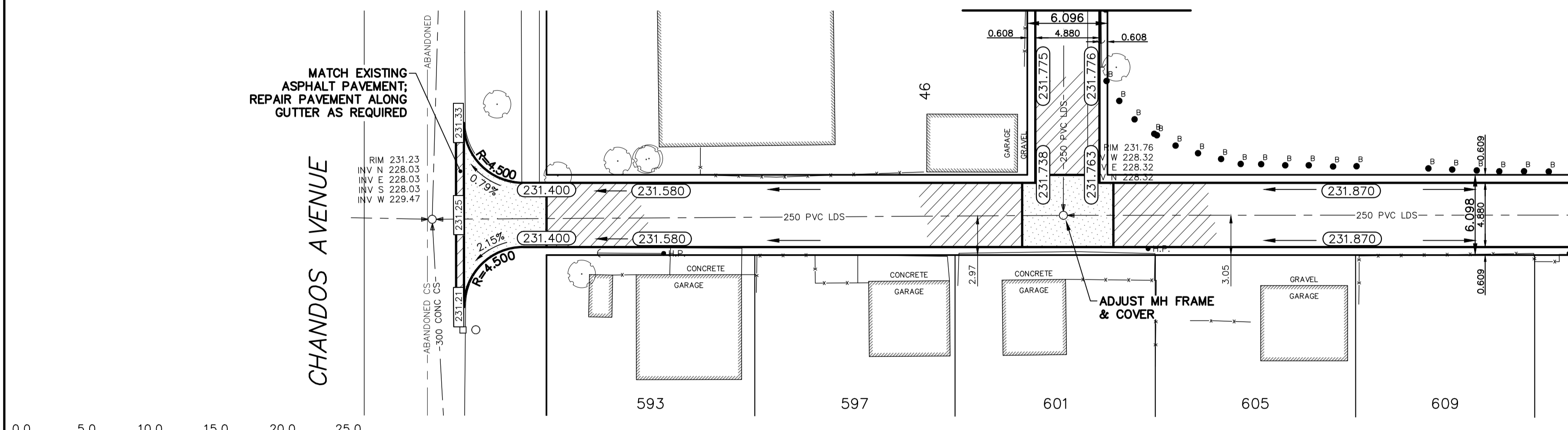
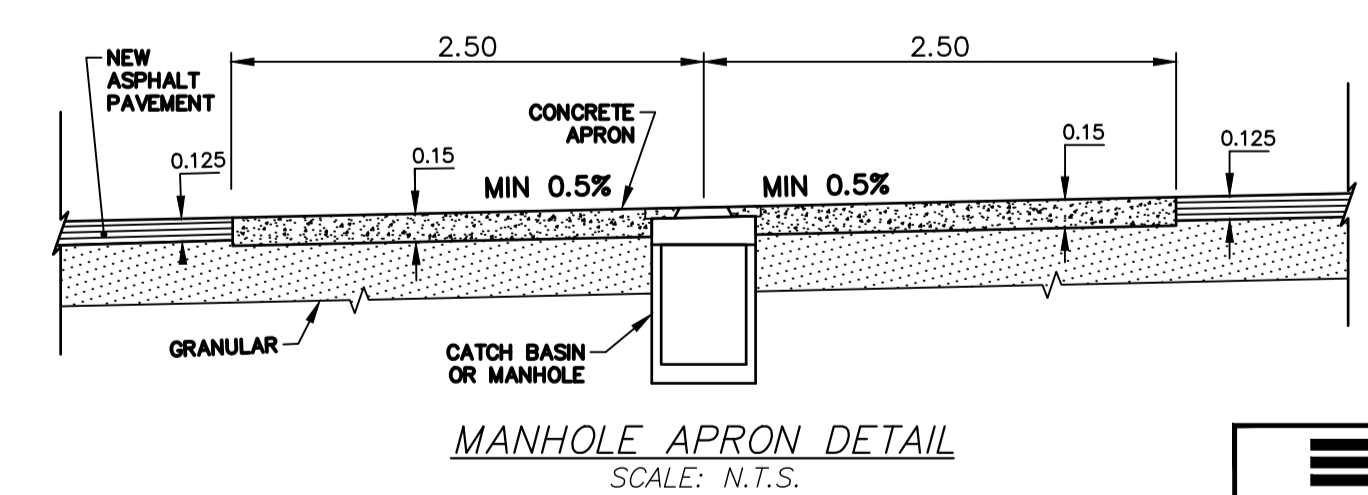
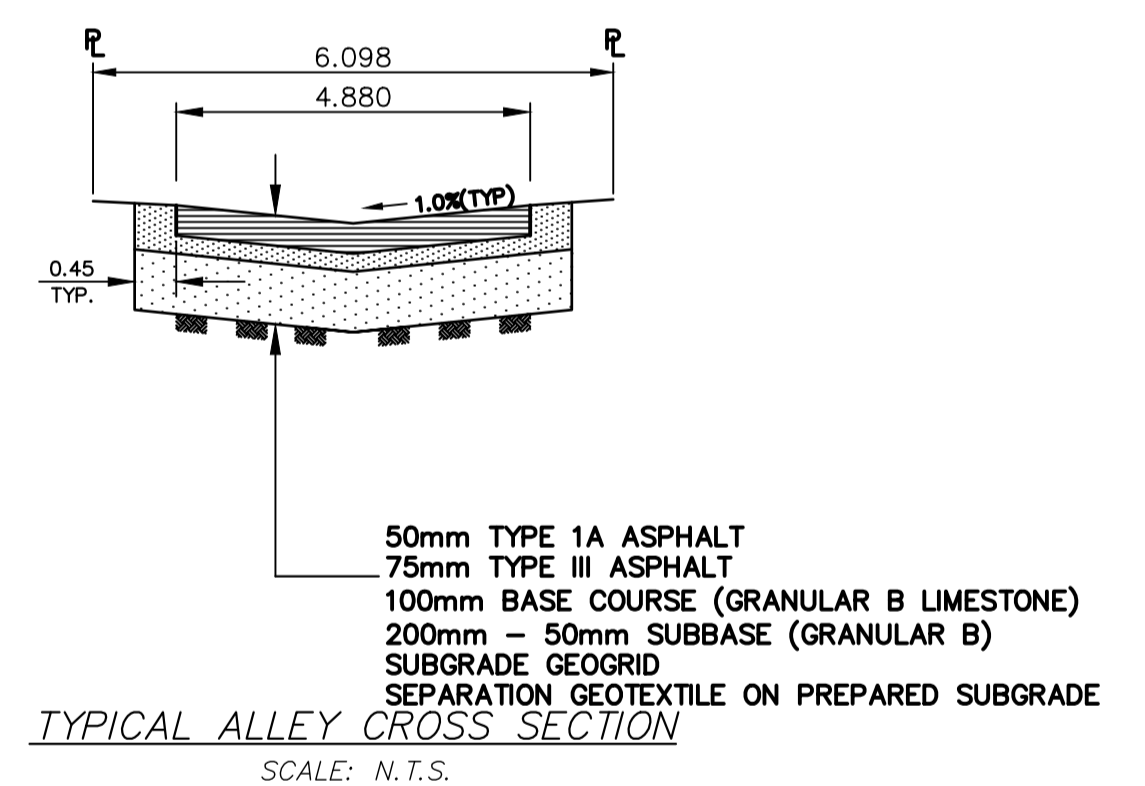
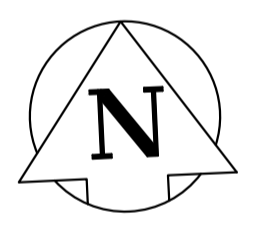
- NOTES:**
1. ALL WORK AND MATERIALS TO BE IN ACCORDANCE WITH THE LATEST REVISION OF THE CITY OF WINNIPEG STANDARD CONSTRUCTION SPECIFICATION.
 2. CONTRACTOR TO CONFIRM THE LOCATION OF ALL UTILITIES/SERVICES IN THE FIELD PRIOR TO CONSTRUCTION.
 3. CONTRACTOR TO AVOID DAMAGE TO EXISTING TREES WITHIN THE LIMITS OF THE ALLEY RIGHT OF WAY AS OUTLINED IN THE BID OPPORTUNITY.
 4. HYDRO POLES AND ANCHORS REQUIRING TEMPORARY SUPPORT TO BE DONE AT THE EXPENSE OF THE CONTRACTOR AS REQUIRED.
 5. WHERE UNSTABLE SUB-GRADES ARE ENCOUNTERED, ADDITIONAL EXCAVATION/SUB-BASE AND INSTALLATION OF GEOGRID TO BE DETERMINED BY THE CONTRACT ADMINISTRATOR AND CONSTRUCTED IN ACCORDANCE W/ CW-3110.
 6. PROPOSED ELEVATIONS GIVEN ARE FOR EDGE OF PAVEMENT.
 7. ISOLATE EXISTING HYDRO POLES AS PER SD-228C.
 8. RENEW CURB AND SIDEWALK AS DIRECTED BY THE CONTRACT ADMINISTRATOR.
 9. MODIFIED BARRIER CURBS TO BE CONSTRUCTED AT ALL BACK LANE RADI.
 10. ALL EXISTING PRIVATE APPROACHES TO BE RENEWED AS DIRECTED BY THE CONTRACT ADMINISTRATOR.
 11. ADJUSTMENTS TO PROPOSED CROSSFALL, WHERE REQUIRED, ARE TO BE DETERMINED BY THE CONTRACT ADMINISTRATOR TO SUIT EXISTING DRIVEWAYS, APPROACHES, ETC.
 12. ALL BOULEVARD RESTORATION TO BE SODDED UNLESS OTHERWISE NOTED.
 13. INSTALLATION OF LIP CURBS AND THEIR LIMITS THROUGH PRIVATE APPROACHES TO BE DETERMINED BY THE CONTRACT ADMINISTRATOR.
 14. REMOVE, ADJUST, AND SUPPLY PRECAST SIDEWALK BLOCKS AS DIRECTED BY THE CONTRACT ADMINISTRATOR.



LAND DRAINAGE SEWER PROFILE
SCALE: 1:250 HOR
1:100 VER

NOTE: CHAINAGES SHOWN ARE ALONG CL OF RIGHT-OF-WAY

FOR CONTINUATION SEE DWG 19M-01795-00-24



LYNDALE AVENUE



	WATERMAIN		M.T.S. CONCRETE/ASPHALT		150 WWS		WATERMAIN VALVE		150 LDS
	HYDRANT		SIDEWALK		300 LDS		WASTE WATER SEWER		250 WWS
	VALVE		CURB RAMP		ELEVATIONS		CENTERLINE		SOUTH & EAST GUTTER
	CURB STOP		PROPERTY LINE		NORTH & WEST GUTTER		S & E GARAGE PAD		N & W GARAGE PAD
	LAND DRAINAGE SEWER		SURVEY BAR		HYDRO POLE		STREET LIGHT		JOINTS
	WASTE WATER SEWER		MANHOLE		ASPHALT REPAIR		EXISTING		PROPOSED
	CB LEAD		CATCH BASIN		GAS		HYDRO		LEGEND - PLAN
	MANHOLE		GAS		HYDRO		LEGEND - PROFILE		PROPOSED
	CATCH BASIN		HYDRO		LEGEND - PLAN		PROPOSED		LEGEND - PROFILE
	GAS		HYDRO		LEGEND - PLAN		PROPOSED		LEGEND - PROFILE
	HYDRO		LEGEND - PLAN		PROPOSED		LEGEND - PROFILE		PROPOSED

LOCATION APPROVED UNDERGROUND STRUCTURES	B.M. ELEV.
SUPV. U/G STRUCTURES COMMITTEE	DATE
NOTE: LOCATION OF UNDERGROUND STRUCTURES AS SHOWN ARE BASED ON THE BEST INFORMATION AVAILABLE BUT NO GUARANTEE IS GIVEN THAT ALL EXISTING UTILITIES ARE SHOWN OR THAT THE GIVEN LOCATIONS ARE EXACT. CONFIRMATION OF EXISTENCE AND EXACT LOCATION OF ALL SERVICES MUST BE OBTAINED FROM THE INDIVIDUAL UTILITIES BEFORE PROCEEDING WITH CONSTRUCTION.	
1 PRELIMINARY DESIGN REVIEW	15/01/20
2 ISSUED FOR TENDER	16/04/20
NO REVISIONS	DATE BY

	111-93 Lombard Avenue Winnipeg, Manitoba R3B 3B1 Canada Phone: 204-943-3178 Fax: 204-943-4948 wsp.com
DESIGNED BY: A.B.	CHECKED BY: S.M.
DRAWN BY: D.R.	APPROVED BY: S.M.
HOR. SCALE: 1:250	RELEASED FOR CONSTRUCTION: ---
VERT. SCALE: AS SHOWN	CONSULTANT DRAWING NO. 19M-01795-00-22
JANUARY 2020	

NOT FOR CONSTRUCTION

THE CITY OF WINNIPEG PUBLIC WORKS DEPARTMENT

2020 LOCAL IMPROVEMENTS
LYNDALE DRIVE ALLEY
FROM CHANDOS AVENUE TO STA 1+85

ASPHALT PAVEMENT

CITY DRAWING NO. LD-----
SHEET 1 OF 4
TENDER NO. 260-2020