

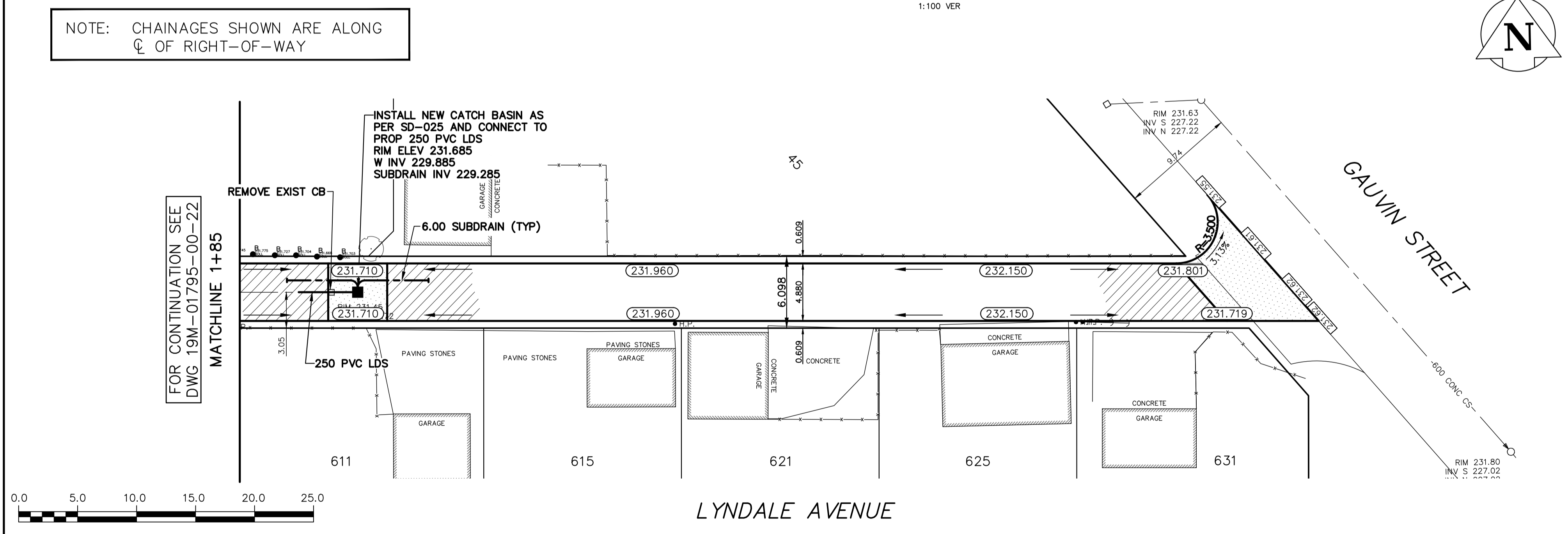
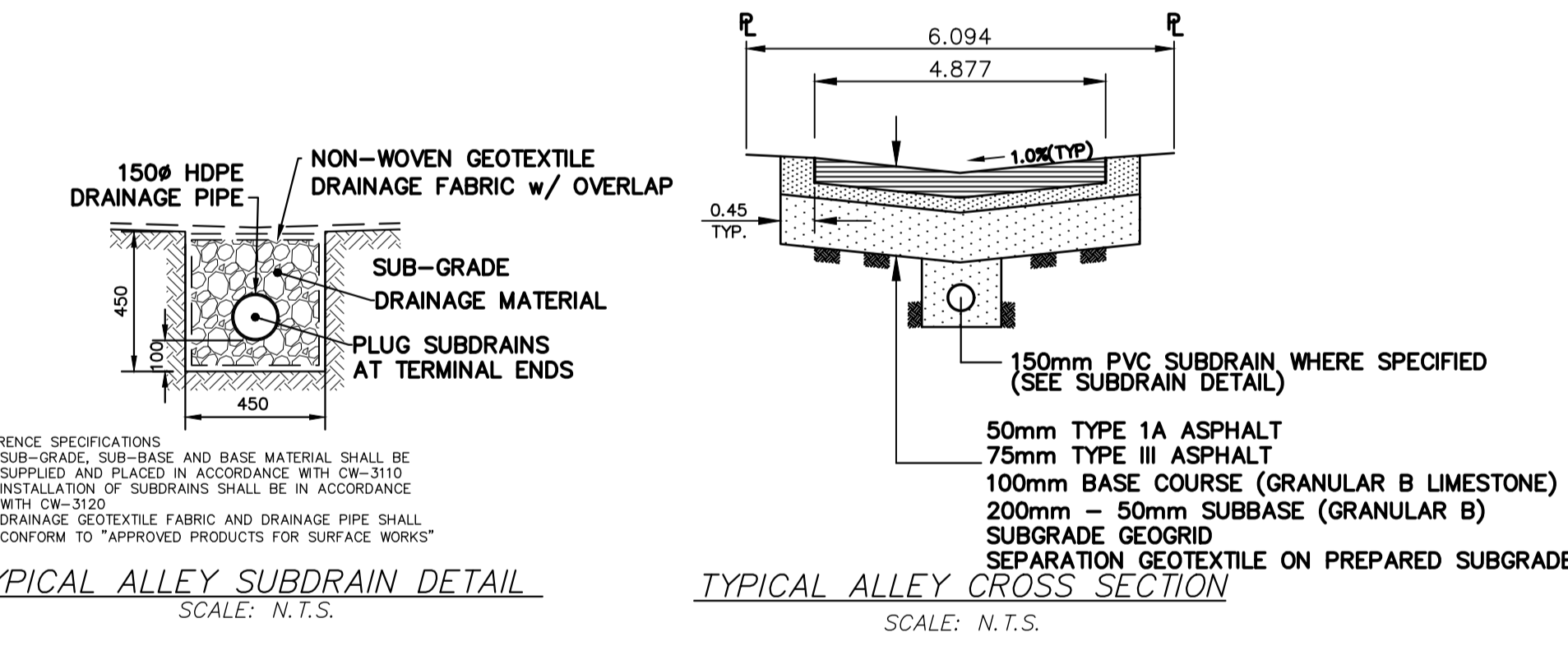
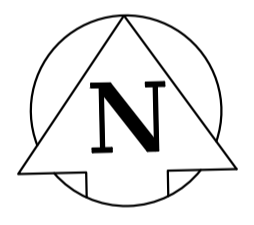
ALLEY PAVEMENT PROFILE
SCALE: 1:250 HOR
1:10 VER

- NOTES:**
1. ALL WORK AND MATERIALS TO BE IN ACCORDANCE WITH THE LATEST REVISION OF THE CITY OF WINNIPEG STANDARD CONSTRUCTION SPECIFICATION.
 2. CONTRACTOR TO CONFIRM THE LOCATION OF ALL UTILITIES/SERVICES IN THE FIELD PRIOR TO CONSTRUCTION.
 3. CONTRACTOR TO AVOID DAMAGE TO EXISTING TREES WITHIN THE LIMITS OF THE ALLEY RIGHT OF WAY AS OUTLINED IN THE BID OPPORTUNITY.
 4. HYDRO POLES AND ANCHORS REQUIRING TEMPORARY SUPPORT TO BE DONE AT THE EXPENSE OF THE CONTRACTOR AS REQUIRED.
 5. WHERE UNSTABLE SUB-GRADES ARE ENCOUNTERED, ADDITIONAL EXCAVATION/SUB-BASE AND INSTALLATION OF GEOGRID TO BE DETERMINED BY THE CONTRACT ADMINISTRATOR AND CONSTRUCTED IN ACCORDANCE W/ CW-3110.
 6. PROPOSED ELEVATIONS GIVEN ARE FOR EDGE OF PAVEMENT.
 7. ISOLATE EXISTING HYDRO POLES AS PER SD-228C.
 8. RENEW CURB AND SIDEWALK AS DIRECTED BY THE CONTRACT ADMINISTRATOR.
 9. MODIFIED BARRIER CURB TO BE CONSTRUCTED AT ALL BACK LANE RADI.
 10. ALL EXISTING PRIVATE APPROACHES TO BE RENEWED AS DIRECTED BY THE CONTRACT ADMINISTRATOR.
 11. ADJUSTMENTS TO PROPOSED CROSSFALL, WHERE REQUIRED, ARE TO BE DETERMINED BY THE CONTRACT ADMINISTRATOR TO SUIT EXISTING DRIVEWAYS, APPROACHES, ETC.
 12. ALL BOULEVARD RESTORATION TO BE SODDED UNLESS OTHERWISE NOTED.
 13. INSTALLATION OF LP CURBS AND THEIR LIMITS THROUGH PRIVATE APPROACHES TO BE DETERMINED BY THE CONTRACT ADMINISTRATOR.
 14. REMOVE, ADJUST, AND SUPPLY PRECAST SIDEWALK BLOCKS AS DIRECTED BY THE CONTRACT ADMINISTRATOR.



LAND DRAINAGE SEWER PROFILE
SCALE: 1:250 HOR
1:100 VER

NOTE: CHAINAGES SHOWN ARE ALONG CL OF RIGHT-OF-WAY



**ENGINEERS
GEO-SCIENTISTS
MANITOBA**
Certificate of Authorization
WSP Canada Group Limited
No. 6657

	WATERMAIN		M.T.S. CONCRETE/ASPHALT		150 WWS		WATERMAIN VALVE	LOCATION APPROVED UNDERGROUND STRUCTURES	B.M. ELEV.	DESIGNED BY A.B.	CHECKED BY S.M.	DRAWN BY D.R.	APPROVED BY S.M.	HOR. SCALE: 1:250 VERT. SCALE: AS SHOWN	RELEASED FOR CONSTRUCTION	CONSULTANT DRAWING NO. 19M-01795-00 -23
	HYDRANT		SIDEWALK		300 LDS		LAND DRAINAGE SEWER VALVE									
	VALVE		CURB RAMP		250 WWS		CENTERLINE	SUPV. U/G STRUCTURES DATE								
	CURB STOP		PROPERTY LINE		SOUTH & EAST GUTTER		NORTH & WEST GUTTER	NOTE:								
	LAND DRAINAGE SEWER		SURVEY BAR		S & E GARAGE PAD		N & W GARAGE PAD	LOCATION OF UNDERGROUND STRUCTURES AS SHOWN ARE BASED ON THE BEST INFORMATION AVAILABLE BUT NO GUARANTEE IS GIVEN THAT ALL EXISTING UTILITIES ARE SHOWN OR THAT THE GIVEN LOCATIONS ARE EXACT. CONFIRMATION OF EXISTENCE AND EXACT LOCATION OF ALL SERVICES MUST BE OBTAINED FROM THE INDIVIDUAL UTILITIES BEFORE PROCEEDING WITH CONSTRUCTION.	2	ISSUED FOR TENDER	16/04/20	A.B.				
	WASTE WATER SEWER		STREET LIGHT		HYDRO POLE		ASPHALT REPAIR		1	PRELIMINARY DESIGN REVIEW	15/01/20	D.R.				
	CB LEAD		JOINTS		EXISTING		PROPOSED		NO	REVISIONS						
	MANHOLE		LEGEND - PLAN													
	CATCH BASIN		LEGEND - PROFILE													
	GAS															
	HYDRO															
	EXISTING															

NOT FOR CONSTRUCTION

Winnipeg
THE CITY OF WINNIPEG
PUBLIC WORKS DEPARTMENT

2020 LOCAL IMPROVEMENTS
LYNDALE DRIVE ALLEY
FROM STA 1+87.50 TO GAUVIN STREET

2020
ASPHALT PAVEMENT

CITY DRAWING NO.
LD-----
SHEET 2 OF 4
TENDER NO.
260-2020