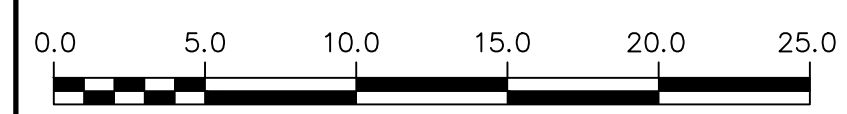
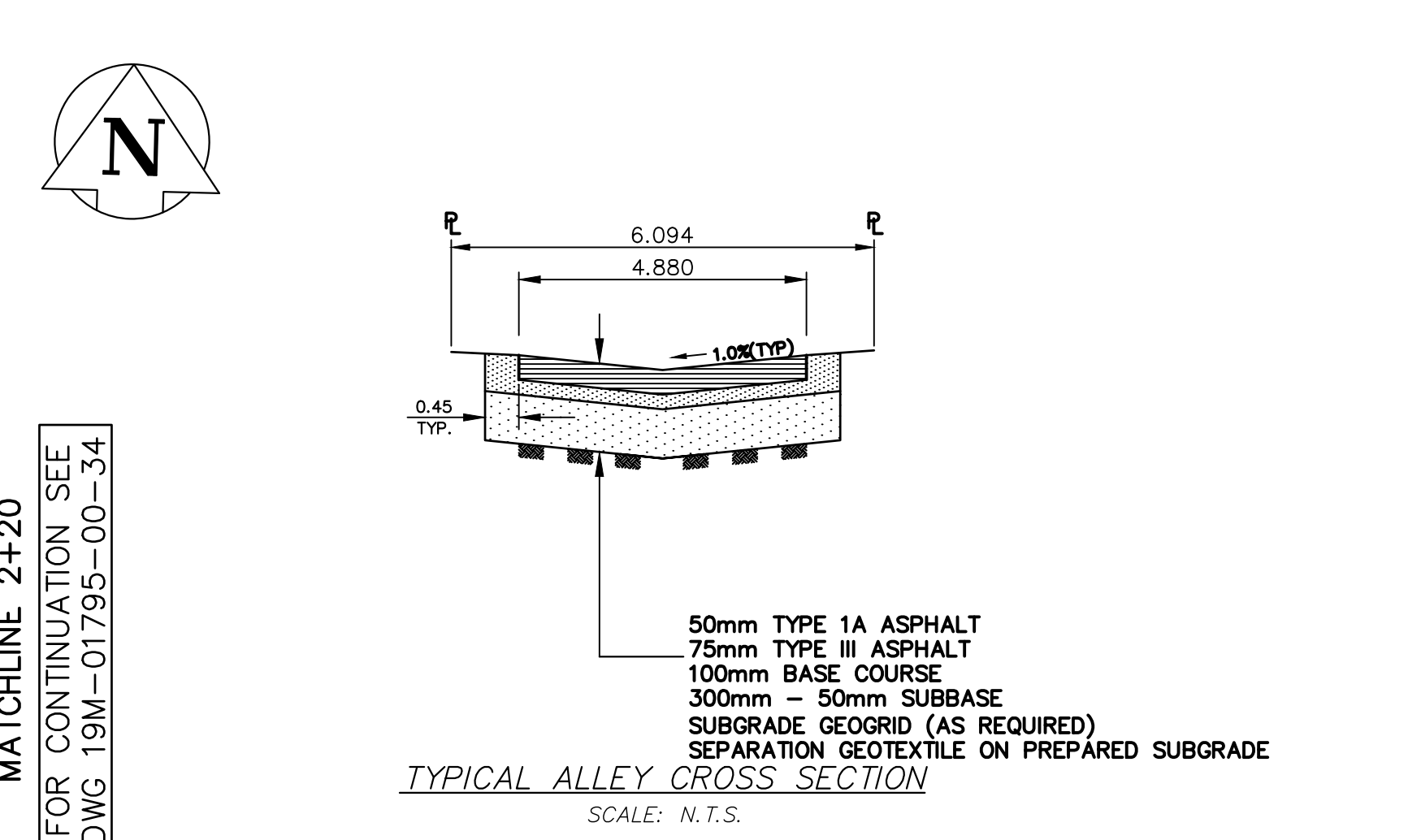
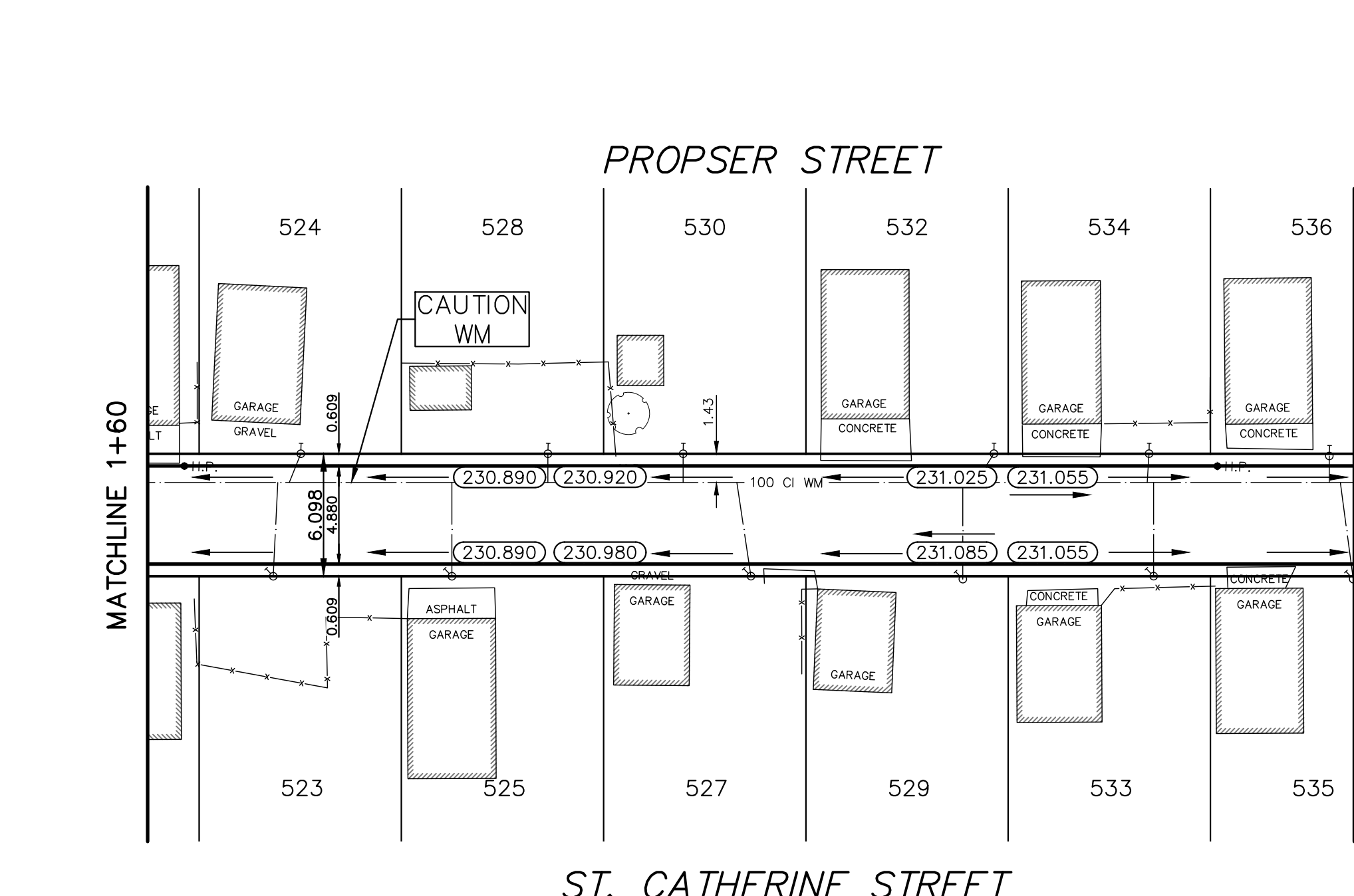
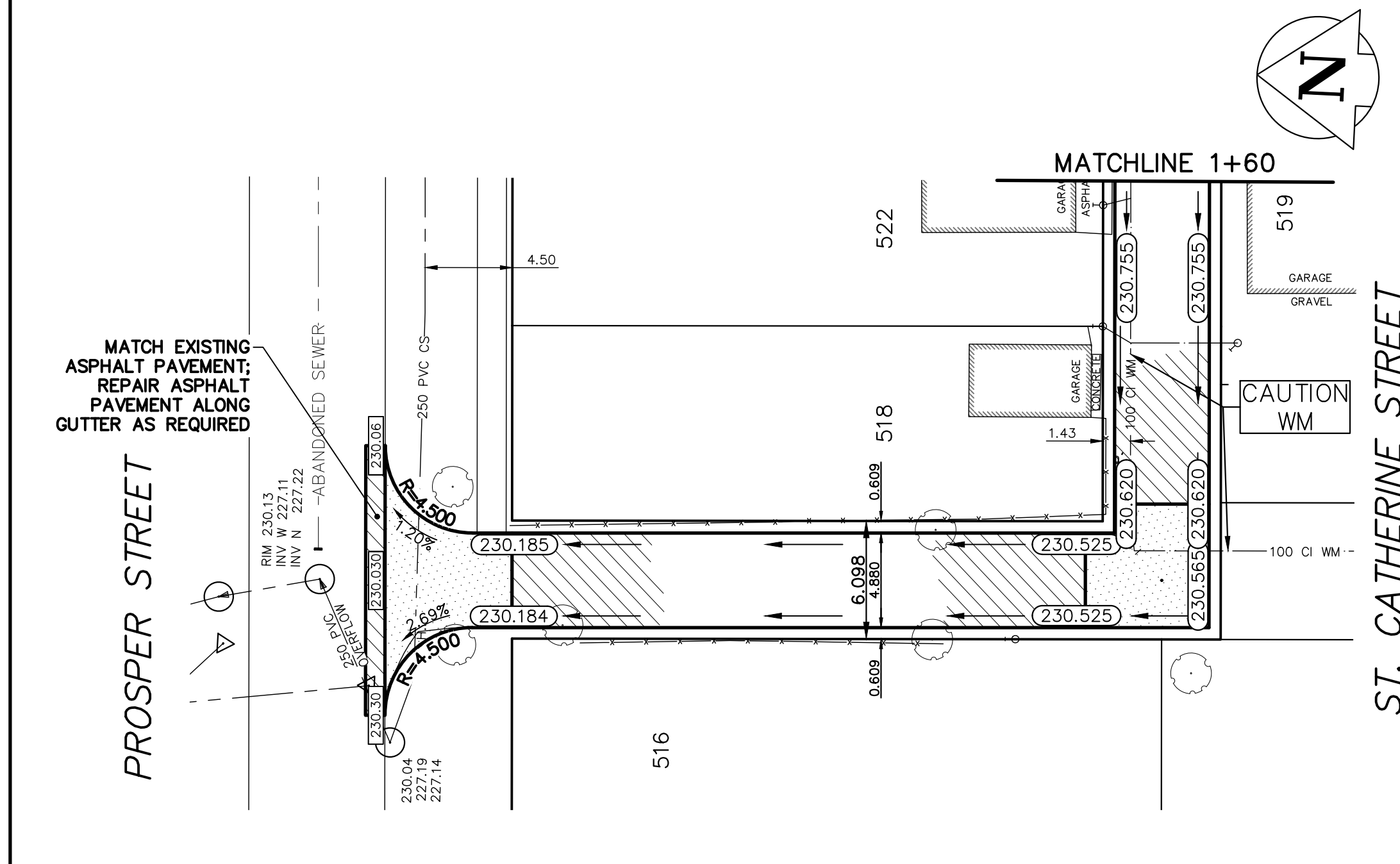


- NOTES:**
1. ALL WORK AND MATERIALS TO BE IN ACCORDANCE WITH THE LATEST REVISION OF THE CITY OF WINNIPEG STANDARD CONSTRUCTION SPECIFICATION.
 2. CONTRACTOR TO CONFIRM THE LOCATION OF ALL UTILITIES/SERVICES IN THE FIELD PRIOR TO CONSTRUCTION.
 3. CONTRACTOR TO AVOID DAMAGE TO EXISTING TREES WITHIN THE LIMITS OF THE ALLEY RIGHT OF WAY AS OUTLINED IN THE BID OPPORTUNITY.
 4. HYDRO POLES AND ANCHORS REQUIRING TEMPORARY SUPPORT TO BE DONE AT THE EXPENSE OF THE CONTRACTOR AS REQUIRED.
 5. WHERE UNSTABLE SUB-GRADES ARE ENCOUNTERED, ADDITIONAL EXCAVATION/SUB-BASE AND INSTALLATION OF GEOTRID TO BE DETERMINED BY THE CONTRACT ADMINISTRATOR AND CONSTRUCTED IN ACCORDANCE W/ CW-3110.
 6. PROPOSED ELEVATIONS GIVEN ARE FOR EDGE OF PAVEMENT.
 7. ISOLATE EXISTING HYDRO POLES AS PER SD-228C.
 8. RENEW CURB AND SIDEWALK AS DIRECTED BY THE CONTRACT ADMINISTRATOR.
 9. MODIFIED BARRIER CURB TO BE CONSTRUCTED AT ALL BACK LANE RADII.
 10. ALL EXISTING PRIVATE APPROACHES TO BE RENEWED AS DIRECTED BY THE CONTRACT ADMINISTRATOR.
 11. ADJUSTMENTS TO PROPOSED CROSSFALL, WHERE REQUIRED, ARE TO BE DETERMINED BY THE CONTRACT ADMINISTRATOR TO SUIT EXISTING DRIVEWAYS, APPROACHES, ETC.
 12. ALL BOULEVARD RESTORATION TO BE SODDED UNLESS OTHERWISE NOTED.
 13. INSTALLATION OF LIP CURBS AND THEIR LIMITS THROUGH PRIVATE APPROACHES TO BE DETERMINED BY THE CONTRACT ADMINISTRATOR.
 14. REMOVE, ADJUST, AND SUPPLY PRECAST SIDEWALK BLOCKS AS DIRECTED BY THE CONTRACT ADMINISTRATOR.

NOTE: CHAINAGES SHOWN ARE ALONG C_F OF RIGHT-OF-WAY

SCALE: 1:250 HOR
1:10 VERT



METRIC
WHOLE NUMBERS INDICATE MILLIMETRES
DECIMALIZED NUMBERS INDICATE METRES
UNLESS OTHERWISE NOTED

EXISTING	LEGEND - PLAN	PROPOSED	EXISTING	LEGEND - PLAN	PROPOSED	EXISTING	LEGEND - PROFILE	PROPOSED														
WATERMAIN	HYDRANT	VALVE	CURB STOP	LAND DRAINAGE SEWER	WASTE WATER SEWER	CB LEAD	MANHOLE	CATCH BASIN	GAS	HYDRO	M.T.S.	CONCRETE/ASPHALT	SIDEWALK	CURB RAMP	ELEVATIONS	PROPERTY LINE	SURVEY BAR	HYDRO POLE	STREET LIGHT	JOINTS	ASPHALT REPAIR	
---	---	---	---	---	---	---	---	---	---	---	---	---	---	---	---	---	---	---	---	---	---	---

LOCATION APPROVED UNDERGROUND STRUCTURES

SUPV. U/G STRUCTURES	DATE
---	---

NOTE:
LOCATION OF UNDERGROUND STRUCTURES AS SHOWN ARE BASED ON THE BEST INFORMATION AVAILABLE BUT NO GUARANTEE IS GIVEN THAT ALL EXISTING UTILITIES ARE SHOWN OR THAT THE GIVEN LOCATIONS ARE EXACT. CONFIRMATION OF EXISTENCE AND EXACT LOCATION OF ALL SERVICES MUST BE OBTAINED FROM THE INDIVIDUAL UTILITIES BEFORE PROCEEDING WITH CONSTRUCTION.

B.M. ELEV.	---	---
---	---	---

DESIGNED BY	A.B.	CHECKED BY	S.M.
DRAWN BY	D.R.	APPROVED BY	S.M.
HOR. SCALE:	1:250	RELEASED FOR CONSTRUCTION	---
VERT. SCALE:	AS SHOWN	---	---
DATE	JANUARY 2020	BY	---

NOT FOR CONSTRUCTION

CONSULTANT DRAWING NO.
19M-01795-00-33

ENGINEERS GEO-SCIENTISTS MANITOBA
Certificate of Authorization
WSP Canada Group Limited
No. 6657

THE CITY OF WINNIPEG
PUBLIC WORKS DEPARTMENT

2020 LOCAL IMPROVEMENTS
PROSPER STREET / ST. CATHERINE STREET ALLEY
FROM PROSPER STREET TO STA

CITY DRAWING NO.
LD-----
SHEET 1 OF 2

BID OPPORTUNITY
260-2020

ASPHALT PAVEMENT