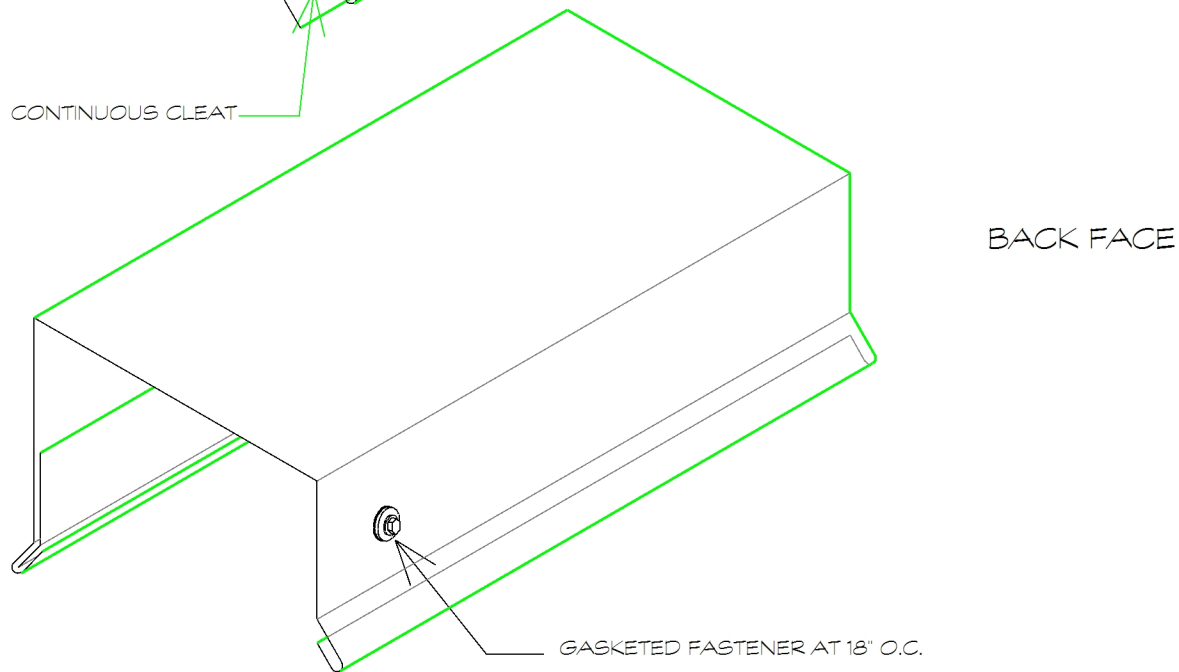
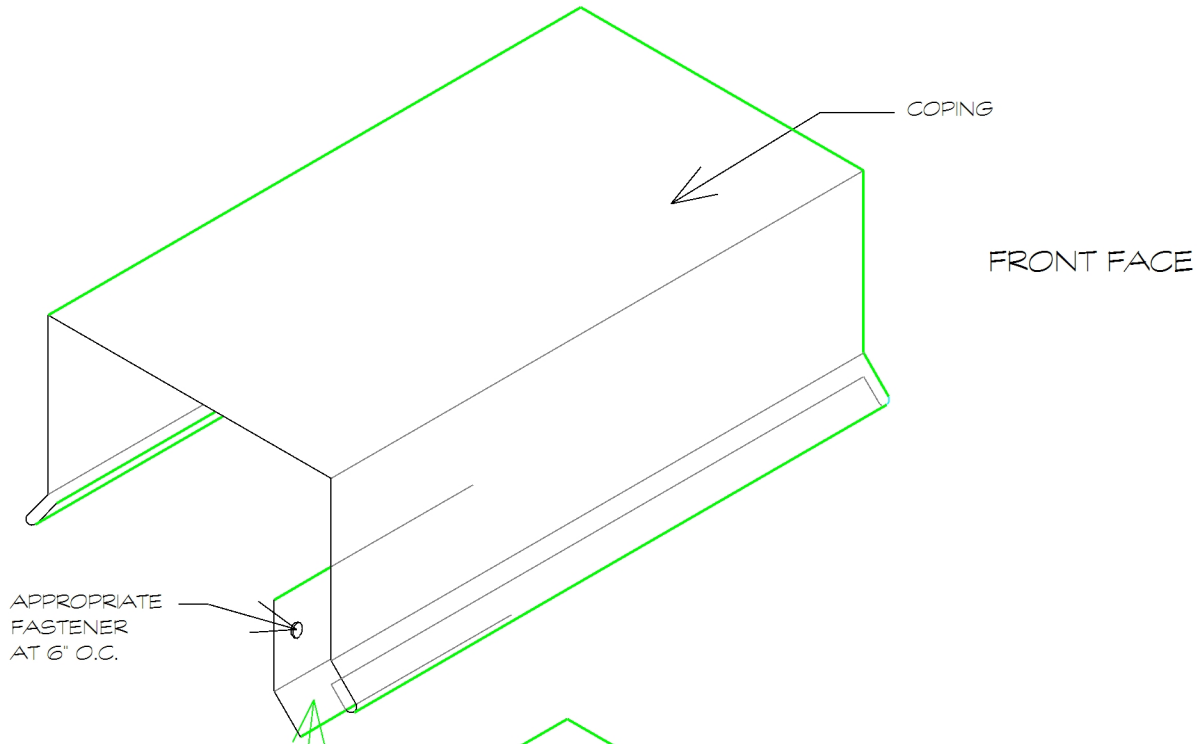


NOTES:

1. ROOF MEMBRANE, ASSOCIATED FLASHINGS AND METAL JOINERY NOT SHOWN FOR CLARITY



COPING WITH DRIP AND FRONT FACE CLEAT

QCA Building Envelope Ltd. 1295 Pembina Highway Winnipeg, MB R3T 2B0 Tel: (204) 371-0996	
Project	<b>River Osborne Community CC</b> <b>101 Pembina Highway, Winnipeg, MB R3L 1Z3</b>
Client	City of Winnipeg
Dwg. No.	265_2020_Drawing_A8-R0
Date	March 18, 2020
Scale	N.T.S.
This drawing is the property of QCA Building Envelope Ltd. It may not be reproduced without consent.	