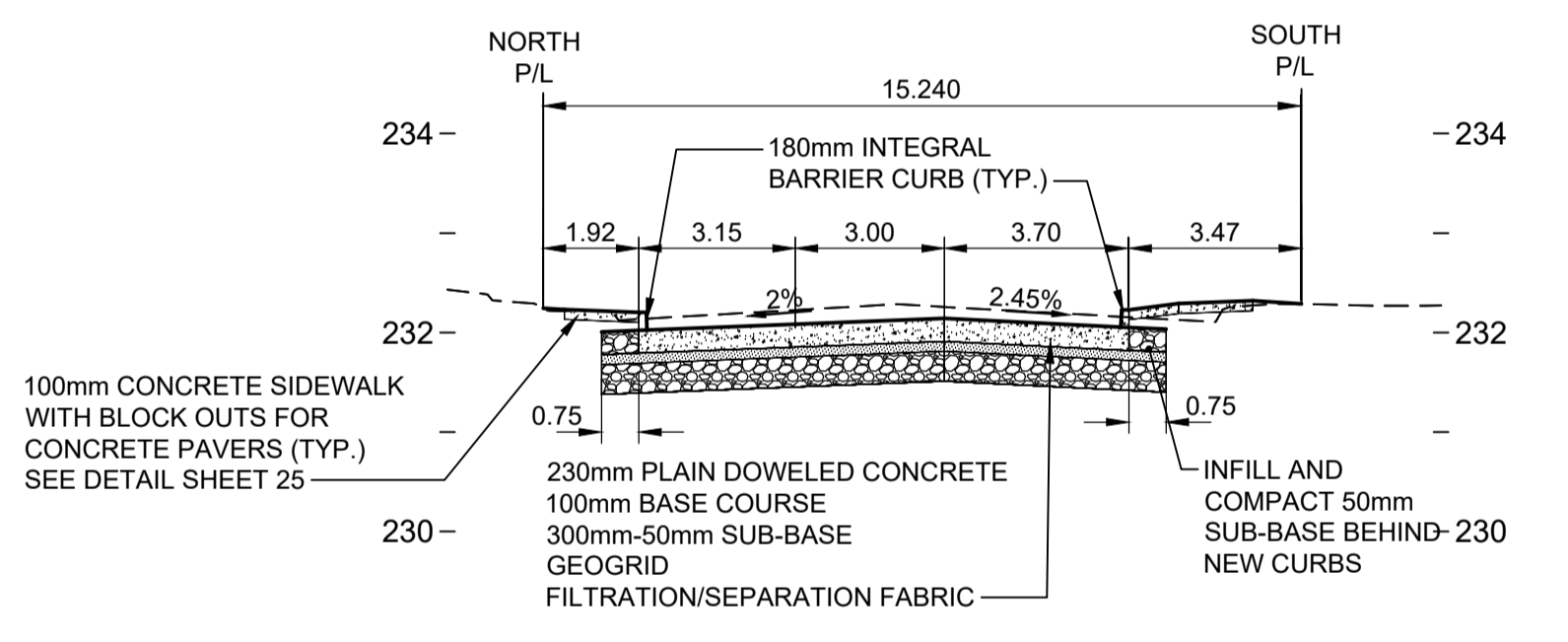
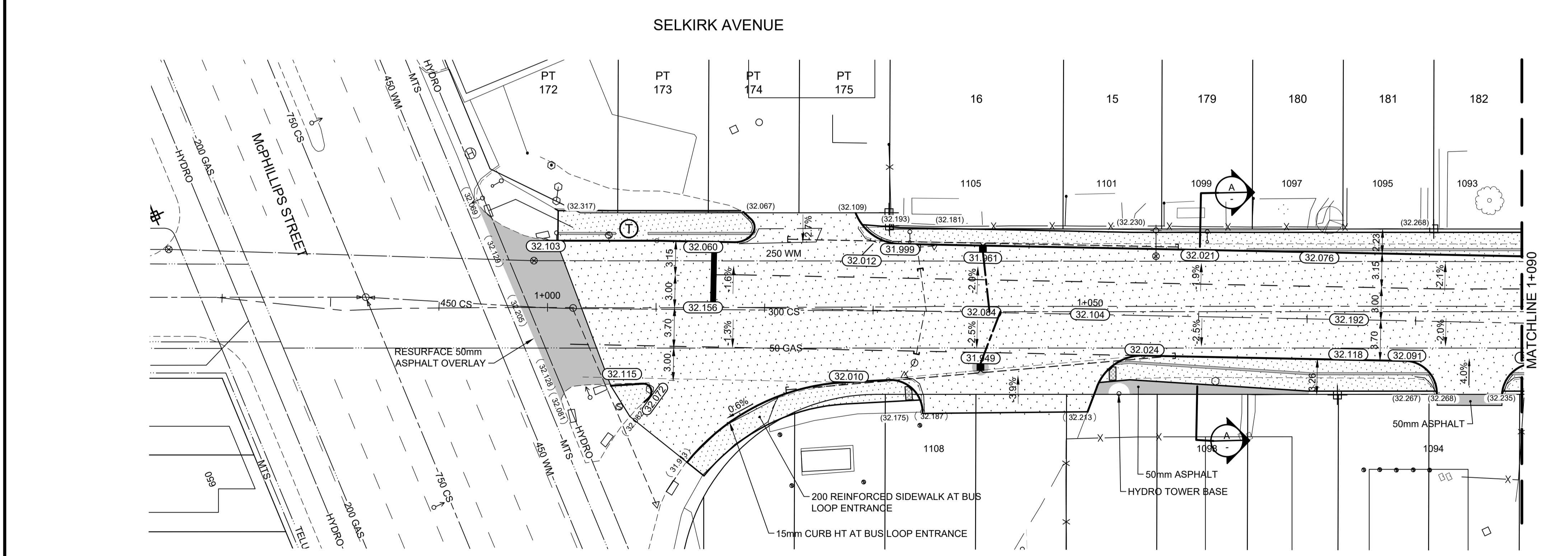


- NOTES:**
- ADJUST EXISTING MANHOLES AS REQUIRED.
 - ADJUST ALL AFFECTED EXISTING WATERMAIN AND WATER SERVICE VALVES TO GRADE.
 - FOR CB'S, LEADS AND UNDERGROUND INFO, SEE SHEETS 14 TO 17.
 - PRIVATE APPROACHES ARE 200mm REINFORCED CONCRETE (COMMERCIAL) OR 150mm REINFORCED CONCRETE (RESIDENTIAL) WITH 75mm BASE COURSE, 225mm-50mm SUB-BASE AND NON-WOVEN GEOTEXTILE.
 - REFER TO TENDER SPECIFICATIONS FOR CONSTRUCTION REQUIREMENTS NEAR EXISTING GAS MAINS OR SERVICES.
 - BLUE PAVERS INSERT IN SIDEWALK TO BE CONSTRUCTED AT EACH TRANSIT STOP AND INSET CLAMP AS PER DETAIL ON SHEET 25
 - BULL NOSES, APPROACHES AND INTERSECTION RADII ARE TO BE INTEGRAL MODIFIED BARRIER CURB.
 - INSTALL SUB-DRAINS AS PER PLAN AS PER SD-245 c/w CAPPED ENDS.
 - WATERMAIN RENEWAL BY OTHERS



A SECTION AT STA 1+060
1:150 H 1:75 V

WARNING

IF POWER EQUIPMENT OR EXPLOSIVES ARE TO BE USED FOR EXCAVATION ON THIS PROJECT THE CONTRACTOR MUST:
 1) NOTIFY THE GAS COMPANY OF THE PROPOSED LOCATION OF EXCAVATION.
 2) TAKE PRECAUTION TO AVOID DAMAGE TO GAS COMPANY INSTALLATIONS.
 SEE PROVINCIAL REGULATION 140/92 FOR DETAILS

METRIC
 WHOLE NUMBERS INDICATE MILLIMETRES
 DECIMALIZED NUMBERS INDICATE METRES

EXISTING	LEGEND-PLAN	PROPOSED	EXISTING	LEGEND-PLAN	PROPOSED	EXISTING	LEGEND-PROFILE	PROPOSED
150 WM	WATERMAIN	150 WM	HYDRO	M.T.S.	CONCRETE	ASPHALT	SIDEWALK	ASPHALT MILL & FILL
HYDRANT	VALVE	300 LDS	LAND DRAINAGE SEWER	WASTE WATER SEWER	MANHOLE	CATCH BASIN	CURB INLET/CATCH PIT	TRANSIT STOP
250 WWS	GAS	PROPERTY LINE	LEGEND-PLAN	PROPOSED	EXISTING	LEGEND-PROFILE	PROPOSED	EXISTING

LOCATION APPROVED UNDERGROUND STRUCTURES

SUPV. U/G STRUCTURES COMMITTEE DATE

NOTE:
 LOCATION OF UNDERGROUND STRUCTURES AS SHOWN ARE BASED ON THE BEST INFORMATION AVAILABLE BUT NO GUARANTEE IS GIVEN THAT ALL EXISTING UTILITIES ARE SHOWN OR THAT THE GIVEN LOCATIONS ARE EXACT. CONFIRMATION OF EXISTENCE AND EXACT LOCATION OF ALL SERVICES MUST BE OBTAINED FROM THE INDIVIDUAL UTILITIES BEFORE PROCEEDING WITH CONSTRUCTION.

NO.	REVISIONS	DATE	BY
2	ISSUED FOR TENDER	21.03.05	S.R.S.
1	ISSUED FOR U/G STRUCTURES REVIEW	21.01.13	S.R.S.
0	ISSUED FOR PRELIMINARY REVIEW	20.07.10	S.R.S.

Stantec
 500 - 311 Portage Avenue, Winnipeg MB Canada
 www.stantec.com

DESIGNED BY: T.G.
 CHECKED BY: S.R.S.

DRAWN BY: T.G.
 APPROVED BY: S.R.S.

HOR. SCALE: 1:250
 VERTICAL: 1:10

RELEASED FOR CONSTRUCTION: DATE

DATE: 20/04/28

PRELIMINARY DRAWING

NOT TO BE USED FOR CONSTRUCTION

CONSULTANT DRAWING NO. C-220

THE CITY OF WINNIPEG
 PUBLIC WORKS DEPARTMENT
 ENGINEERING DIVISION

2021-2022 - SELKIRK AVE AND WILLIAM AVE
 PAVEMENT RENEWALS
 SELKIRK AVENUE
 McPHILLIPS STREET TO STA 1+090
 PLAN / PROFILE / SECTION

SHEET 5 OF 29
 CAD FILE DRAWING NUMBER 08150c-220.dwg
 CITY DRAWING NUMBER P-3533-5

ENGINEERS GEOSCIENTISTS MANITOBA
 Certificate of Authorization
 Stantec Consulting Ltd.
 No. 1301

VA:1171.ecad.mtl.117091.03.030_drawing.0302_sheef.117072_civil.081.03c-220.dwg
 2021.03.02.20.33.AJL:K.Cad:1170