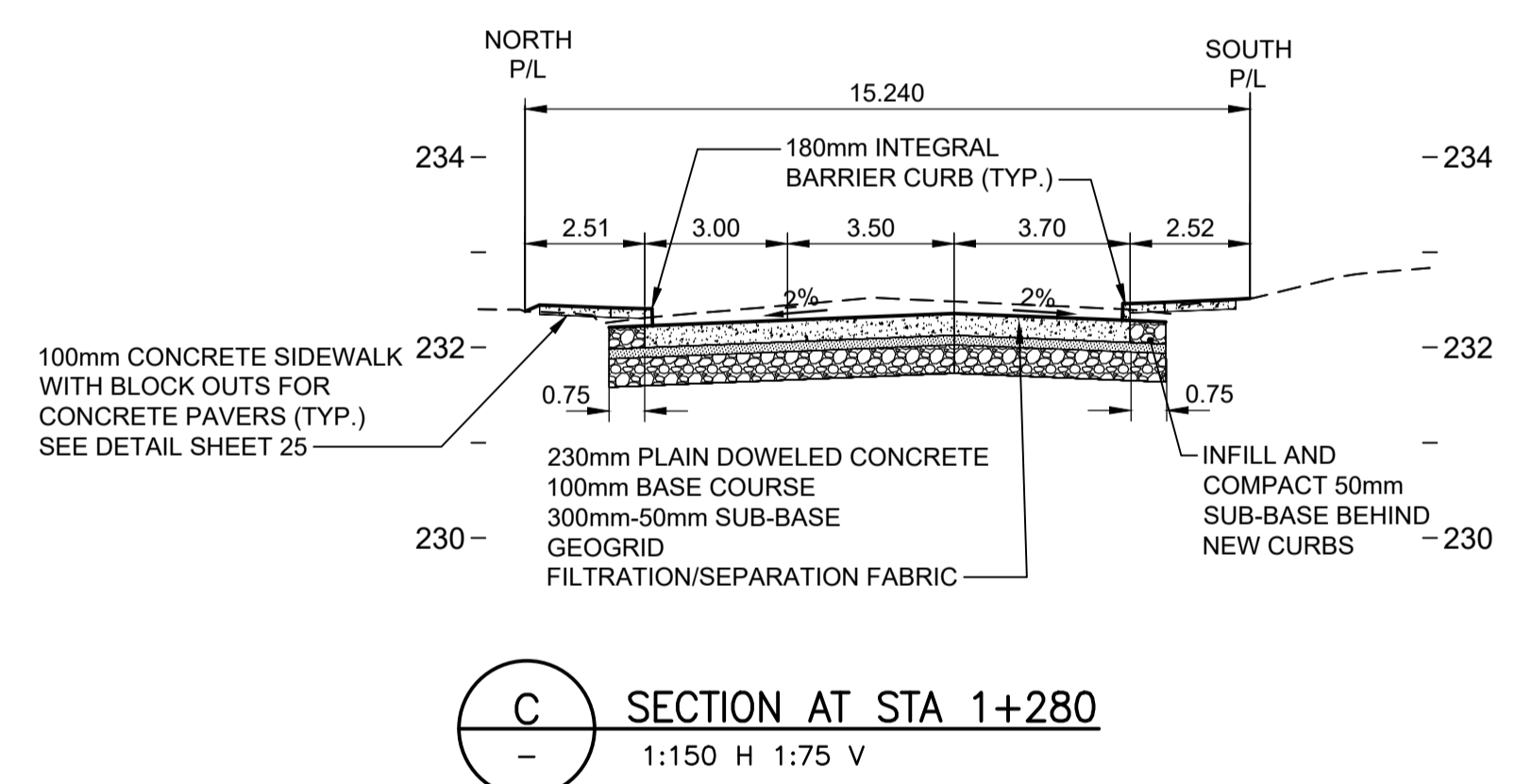
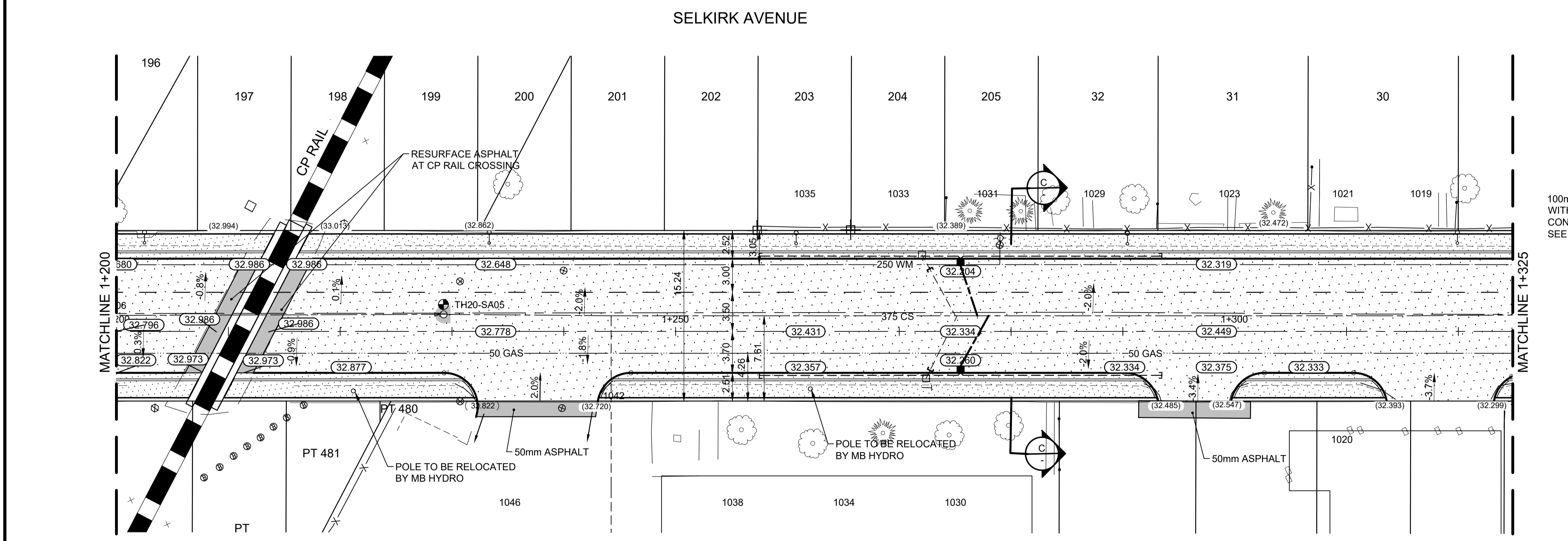


- NOTES:**
- ADJUST EXISTING MANHOLES AS REQUIRED.
  - ADJUST ALL AFFECTED EXISTING WATERMAIN AND WATER SERVICE VALVES TO GRADE.
  - FOR CB'S, LEADS AND UNDERGROUND INFO, SEE SHEETS 14 TO 17.
  - PRIVATE APPROACHES ARE 200mm REINFORCED CONCRETE (COMMERCIAL) OR 150mm REINFORCED CONCRETE (RESIDENTIAL) WITH 75mm BASE COURSE, 225mm-50mm SUB-BASE AND NON-WOVEN GEOTEXTILE.
  - REFER TO TENDER SPECIFICATIONS FOR CONSTRUCTION REQUIREMENTS NEAR EXISTING GAS MAINS OR SERVICES.
  - BLUE PAVERS INSERT IN SIDEWALK TO BE CONSTRUCTED AT EACH TRANSIT STOP AND INSET CLAMP AS PER DETAIL ON SHEET 25
  - BULL NOSES, APPROACHES AND INTERSECTION RADII ARE TO BE INTEGRAL MODIFIED BARRIER CURB.
  - INSTALL SUB-DRAINS AS PER PLAN AS PER SD-245 c/w CAPPED ENDS.
  - WATERMAIN RENEWAL BY OTHERS



**WARNING**

IF POWER EQUIPMENT OR EXPLOSIVES ARE TO BE USED FOR EXCAVATION ON THIS PROJECT THE CONTRACTOR MUST:

- NOTIFY THE GAS COMPANY OF THE PROPOSED LOCATION OF EXCAVATION.
- TAKE PRECAUTION TO AVOID DAMAGE TO GAS COMPANY INSTALLATIONS.

SEE PROVINCIAL REGULATION 140/92 FOR DETAILS

**METRIC**  
WHOLE NUMBERS INDICATE MILLIMETRES  
DECIMALIZED NUMBERS INDICATE METRES

EXISTING	LEGEND-PLAN	PROPOSED	EXISTING	LEGEND-PLAN	PROPOSED	EXISTING	LEGEND-PROFILE	PROPOSED
150 WM	WATERMAIN	150 WM	HYDR	HYDRO	HYDR	CP PROFILE	NORTH OR WEST GUTTER	---
300 LDS	LAND DRAINAGE SEWER	300 LDS	M.T.S.	M.T.S.	M.T.S.	---	SOUTH OR EAST GUTTER	---
300 WWS	WASTE WATER SEWER	300 WWS	CONCRETE	CONCRETE	CONCRETE	---	NORTH MEDIAN GUTTER	---
ASPH	ASPHALT	ASPH	ASPHALT	ASPHALT	ASPHALT	---	SOUTH MEDIAN GUTTER	---
MANH	MANHOLE	MANH	ASPH MILL & FILL	ASPH MILL & FILL	ASPH MILL & FILL	---	NORTH OR WEST P/L	---
CATCH	CATCH BASIN	CATCH	STREET LIGHT	STREET LIGHT	STREET LIGHT	---	SOUTH OR EAST P/L	---
CURB	CURB INLET/CATCH PIT	CURB	HYDRO POLE	HYDRO POLE	HYDRO POLE	---		
TRANSIT	TRANSIT STOP	TRANSIT	SURVEY BAR	SURVEY BAR	SURVEY BAR	---		
GAS	GAS	GAS	ELEVATION	ELEVATION	ELEVATION	---		
PROPERTY	PROPERTY LINE	PROPERTY	SIDEWALK RAMP	SIDEWALK RAMP	SIDEWALK RAMP	---		

**LOCATION APPROVED UNDERGROUND STRUCTURES**

SUPV. U/G STRUCTURES COMMITTEE DATE

**NOTE:**  
LOCATION OF UNDERGROUND STRUCTURES AS SHOWN ARE BASED ON THE BEST INFORMATION AVAILABLE BUT NO GUARANTEE IS GIVEN THAT ALL EXISTING UTILITIES ARE SHOWN OR THAT THE GIVEN LOCATIONS ARE EXACT. CONFIRMATION OF EXISTENCE AND EXACT LOCATION OF ALL SERVICES MUST BE OBTAINED FROM THE INDIVIDUAL UTILITIES BEFORE PROCEEDING WITH CONSTRUCTION.

NO.	REVISIONS	DATE	BY
2	ISSUED FOR TENDER	21.03.05	S.R.S.
1	ISSUED FOR U/G STRUCTURES REVIEW	21.01.13	S.R.S.
0	ISSUED FOR PRELIMINARY REVIEW	20.07.10	S.R.S.

**Stantec**  
500 - 311 Portage Avenue, Winnipeg MB Canada  
www.stantec.com

DESIGNED BY: T.G. CHECKED BY: S.R.S.  
DRAWN BY: T.G. APPROVED BY: S.R.S.

HOR. SCALE: 1:250  
VERTICAL: 1:10

RELEASED FOR CONSTRUCTION: DATE

DATE: 20/04/28

ENGINEER'S SEAL  
**PRELIMINARY DRAWING**  
NOT TO BE USED FOR CONSTRUCTION  
CONSULTANT DRAWING NO. C-222

**THE CITY OF WINNIPEG**  
PUBLIC WORKS DEPARTMENT  
ENGINEERING DIVISION

2021-2022 - SELKIRK AVE AND WILLIAM AVE  
PAVEMENT RENEWALS  
SELKIRK AVENUE  
STA 1+200 TO STA 1+325  
PLAN / PROFILE / SECTION

SHEET 7 OF 29  
CAD FILE DRAWING NUMBER 08150c-220.dwg  
CITY DRAWING NUMBER P-3533-7

VA 11771 rev 04/21 1:17:09 PM 03/20 drawing 0302 sheet file 07 c:\w\08150c-220.dwg 2021/03/22 09:38 AM A:\S\AUG\CAD\TAR