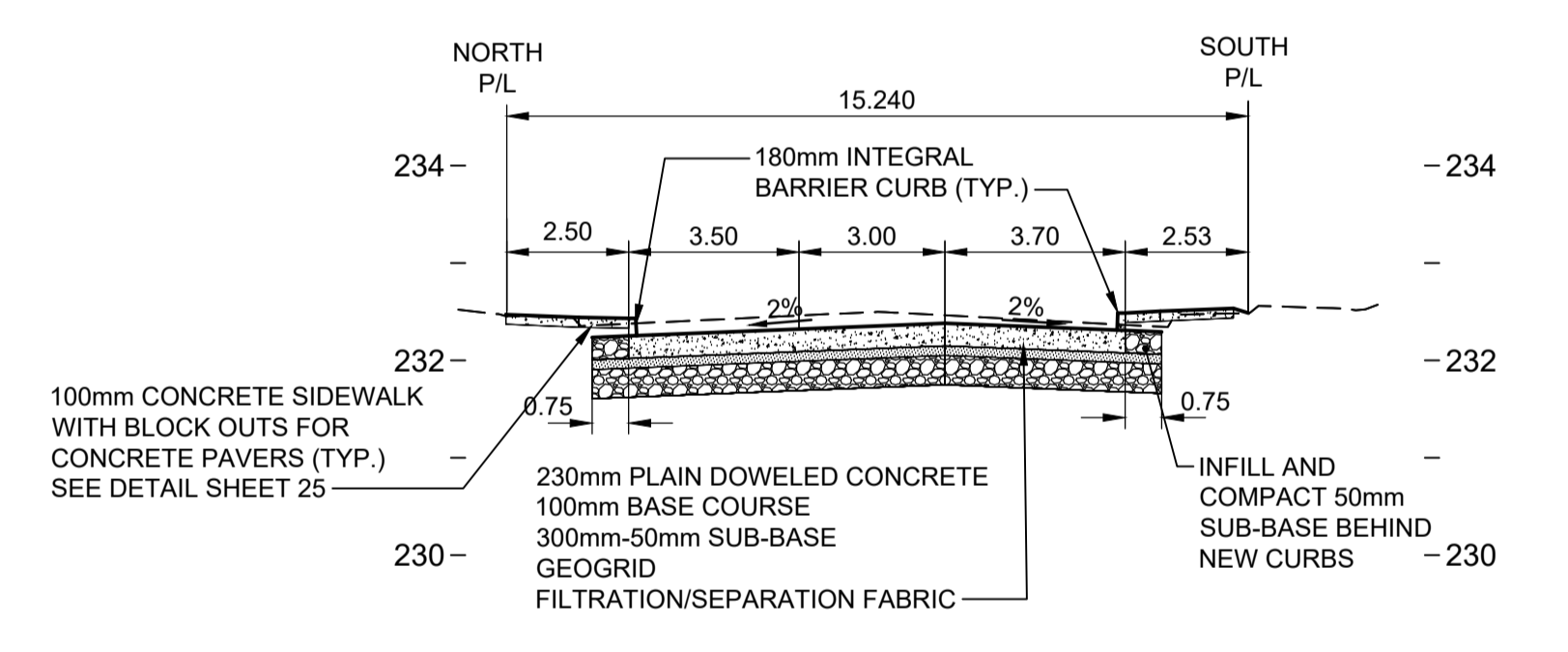
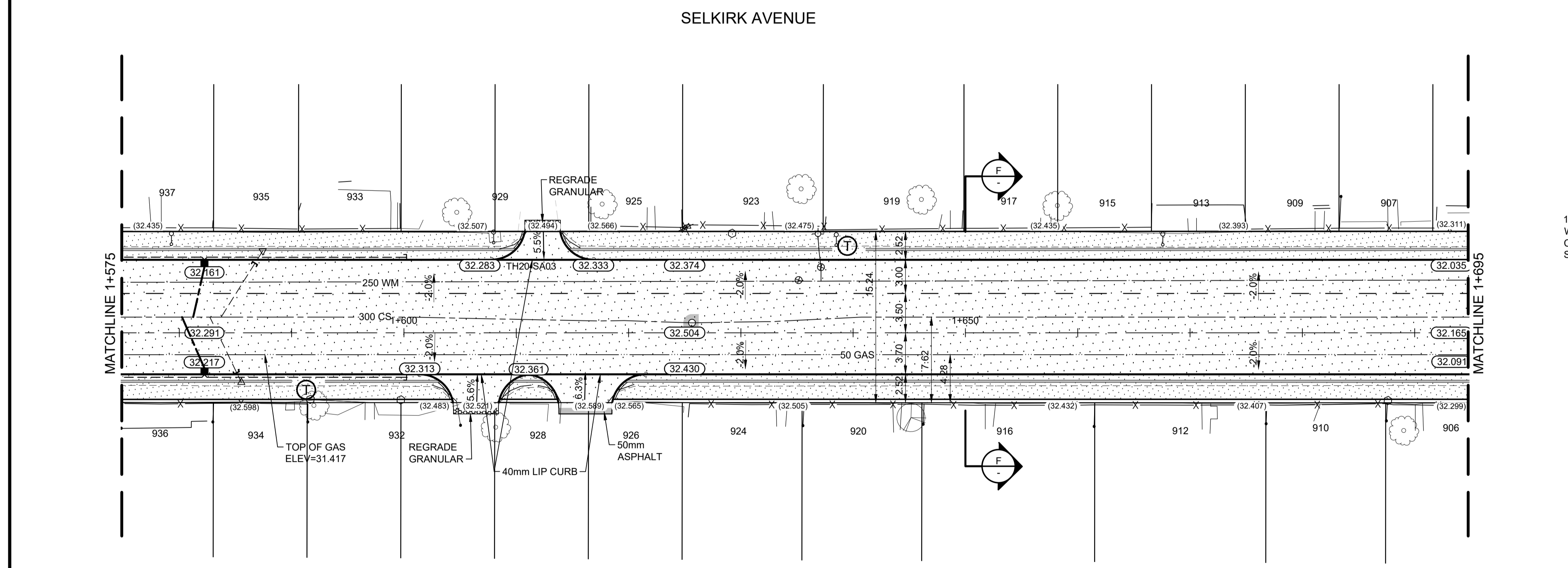


- NOTES:**
1. ADJUST EXISTING MANHOLES AS REQUIRED.
 2. ADJUST ALL AFFECTED EXISTING WATERMAIN AND WATER SERVICE VALVES TO GRADE.
 3. FOR CB'S, LEADS AND UNDERGROUND INFO, SEE SHEETS 14 TO 17.
 4. PRIVATE APPROACHES ARE 200mm REINFORCED CONCRETE (COMMERCIAL) OR 150mm REINFORCED CONCRETE (RESIDENTIAL) WITH 75mm BASE COURSE, 225mm-50mm SUB-BASE AND NON-WOVEN GEOTEXTILE.
 5. REFER TO TENDER SPECIFICATIONS FOR CONSTRUCTION REQUIREMENTS NEAR EXISTING GAS MAINS OR SERVICES.
 6. BLUE PAVERS INSERT IN SIDEWALK TO BE CONSTRUCTED AT EACH TRANSIT STOP AND INSET CLAMP AS PER DETAIL ON SHEET 25
 7. BULL NOSES, APPROACHES AND INTERSECTION RADII ARE TO BE INTEGRAL MODIFIED BARRIER CURB.
 8. INSTALL SUB-DRAINS AS PER PLAN AS PER SD-245 c/w CAPPED ENDS.
 9. WATERMAIN RENEWAL BY OTHERS



F SECTION AT STA 1+650
1:150 H 1:75 V

WARNING

IF POWER EQUIPMENT OR EXPLOSIVES ARE TO BE USED FOR EXCAVATION ON THIS PROJECT THE CONTRACTOR MUST:
 1) NOTIFY THE GAS COMPANY OF THE PROPOSED LOCATION OF EXCAVATION.
 2) TAKE PRECAUTION TO AVOID DAMAGE TO GAS COMPANY INSTALLATIONS.
 SEE PROVINCIAL REGULATION 140/92 FOR DETAILS

METRIC
 WHOLE NUMBERS INDICATE MILLIMETRES
 DECIMALIZED NUMBERS INDICATE METRES

WATERMAIN		HYDRO		G PROFILE	
	150 WM		M.T.S.		NORTH OR WEST GUTTER
	VALVE		CONCRETE		SOUTH OR EAST GUTTER
	300 L.D.S. LAND DRAINAGE SEWER		ASPHALT		NORTH MEDIAN GUTTER
	750 W.W.S. WASTE WATER SEWER		SIDEWALK		SOUTH MEDIAN GUTTER
	MANHOLE		ASPHALT MILL & FILL		NORTH OR WEST P.L.
	CATCH BASIN		STREET LIGHT		SOUTH OR EAST P.L.
	CURB INLET/CATCH PIT		HYDRO POLE		
	TRANSIT STOP		SURVEY BAR		
	GAS		ELEVATION		
	PROPERTY LINE		SIDEWALK RAMP		
EXISTING	LEGEND-PLAN	PROPOSED	EXISTING	LEGEND-PROFILE	PROPOSED

LOCATION APPROVED UNDERGROUND STRUCTURES			
SUPV. U/G STRUCTURES COMMITTEE			
DATE			
NOTE: LOCATION OF UNDERGROUND STRUCTURES AS SHOWN ARE BASED ON THE BEST INFORMATION AVAILABLE BUT NO GUARANTEE IS GIVEN THAT ALL EXISTING UTILITIES ARE SHOWN OR THAT THE GIVEN LOCATIONS ARE EXACT. CONFIRMATION OF EXISTENCE AND EXACT LOCATION OF ALL SERVICES MUST BE OBTAINED FROM THE INDIVIDUAL UTILITIES BEFORE PROCEEDING WITH CONSTRUCTION.			
B.M. ELEV.			
2	ISSUED FOR TENDER	21.03.05	S.R.S.
1	ISSUED FOR U/G STRUCTURES REVIEW	21.01.13	S.R.S.
0	ISSUED FOR PRELIMINARY REVIEW	20.07.10	S.R.S.
NO.	REVISIONS	DATE	BY
		20/04/28	



PRELIMINARY DRAWING
 NOT TO BE USED FOR CONSTRUCTION
 CONSULTANT DRAWING NO. C-225

THE CITY OF WINNIPEG PUBLIC WORKS DEPARTMENT ENGINEERING DIVISION
 2021-2022 - SELKIRK AVE AND WILLIAM AVE
 PAVEMENT RENEWALS
 SELKIRK AVENUE
 STA 1+575 TO STA 1+695
 PLAN / PROFILE / SECTION

SHEET 10 OF 29
CAD FILE DRAWING NUMBER 08150c-224.dwg
CITY DRAWING NUMBER P-3533-10

VA:1171.ecd\w\117781\03\030_drawing\0302_dsheet_files\02_civil\08150c-224.dwg
 2021/03/02 08:54 AM A:\S:\Civil