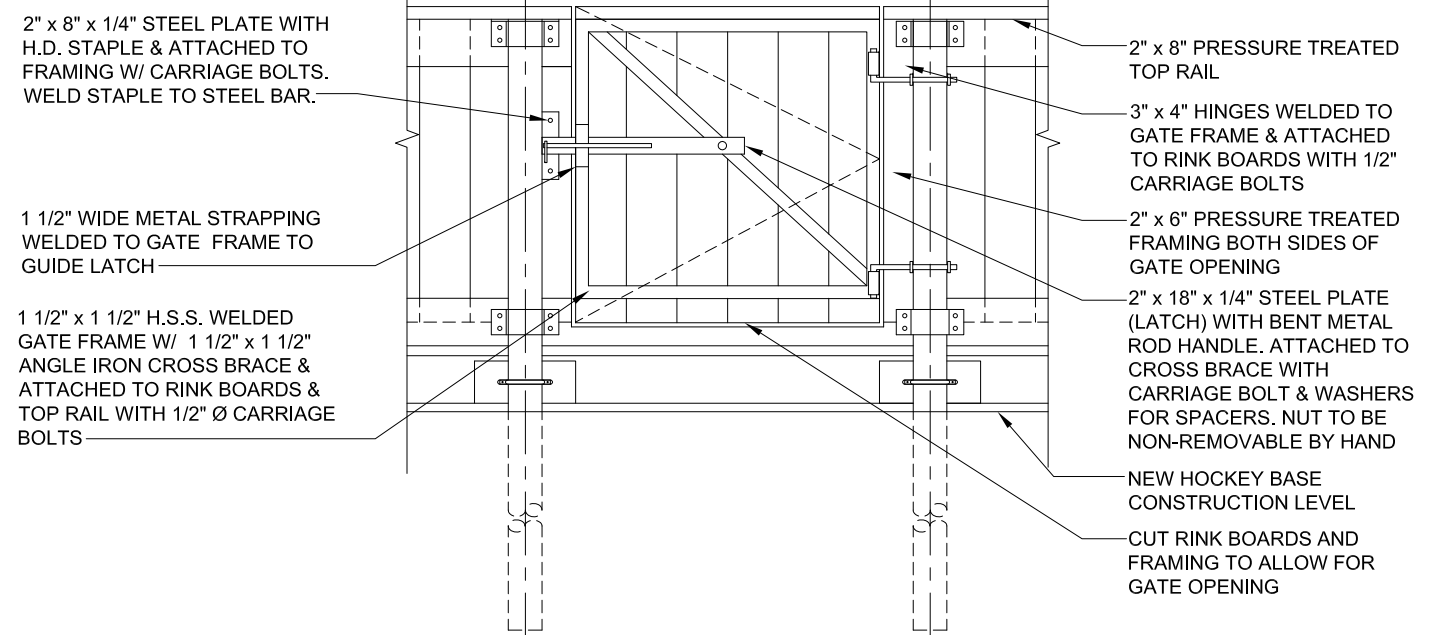
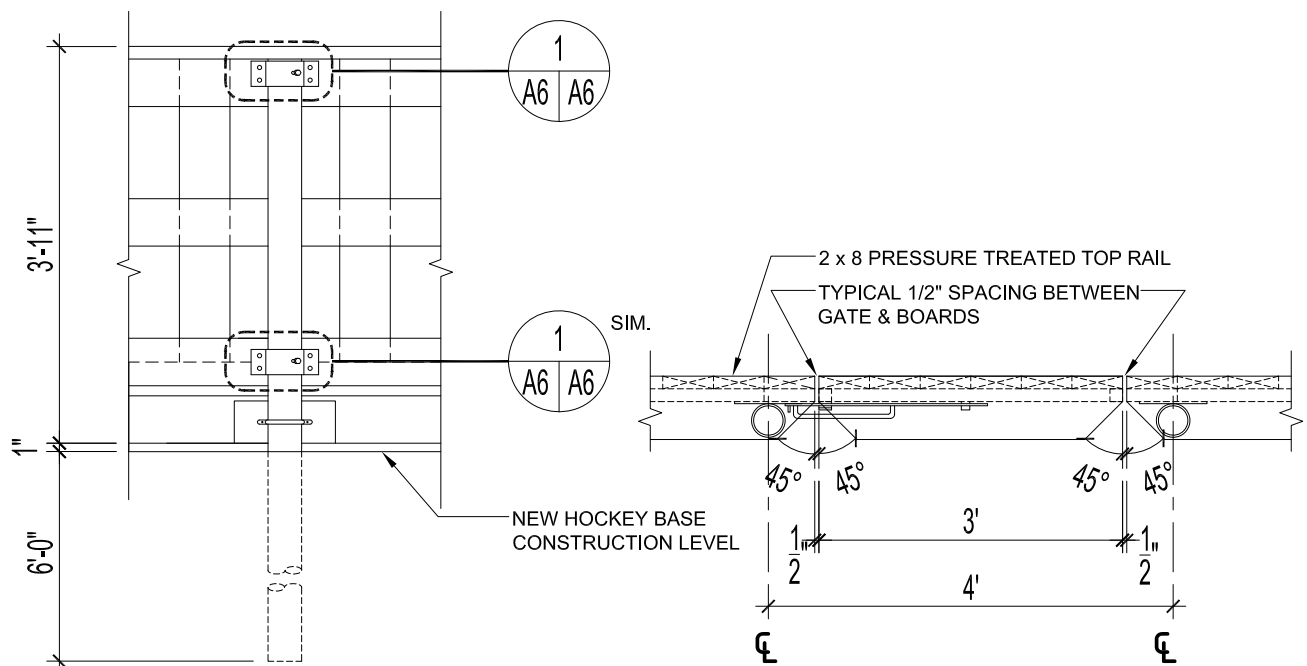


SECTION -PLAYER /PENALTY BOX WITH FENCING
SCALE: 1/2" = 1'-0"

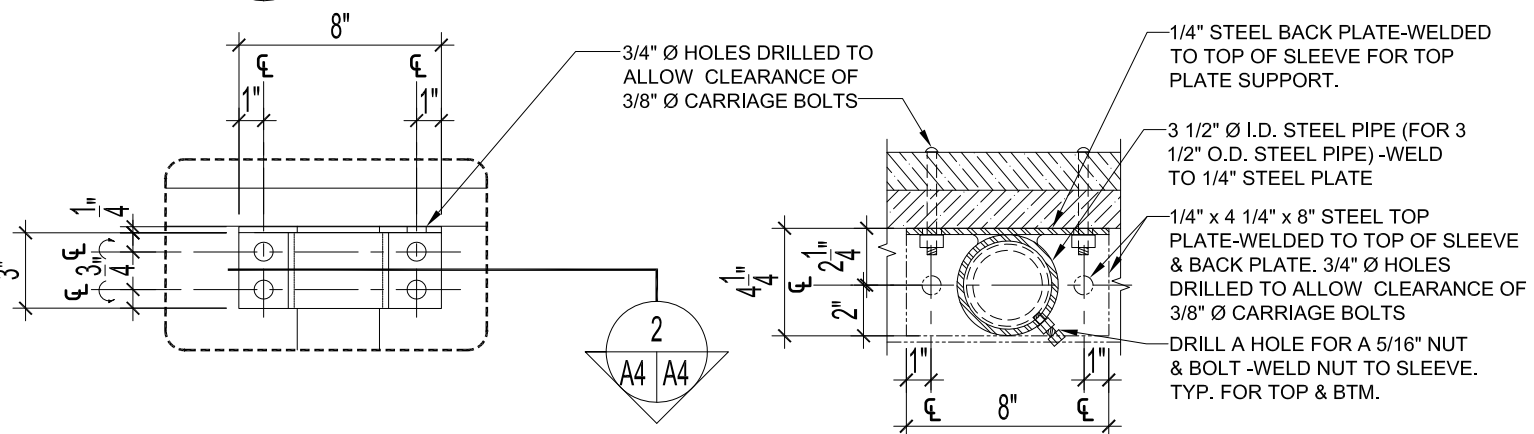


TYPICAL ELEVATION -PLAYERS /PENALTY BOX ACCESS GATES
SCALE: 1/2" = 1'-0"



ELEVATION -TYPICAL RINK BOARDS WITHOUT FENCING
SCALE: 1/2" = 1'-0"

ACCESS GATES -TYPICAL PLAN VIEW
SCALE: 1/2" = 1'-0"



DETAIL -POST SLEEVE
SCALE: 1 1/2" = 1'-0"

SECTION -POST SLEEVE
SCALE: 1 1/2" = 1'-0"

THE CITY OF WINNIPEG PLANNING, PROPERTY AND DEVELOPMENT DEPARTMENT MUNICIPAL ACCOMMODATIONS DIVISION 3-65 GARRY STREET, R3C 4K4		SHEET TITLE PLAYERS /PENALTY BOXES WITH FENCING SECTION, ELEVATIONS & DETAILS		PROJECT GREENDELL COMMUNITY CENTRE OUTDOOR RINK REPLACEMENT 75 WOODLAWN AVENUE BID OPP#453-2020	
DRAWN BY:	DESIGNED BY:	CHECKED BY:	APPROVED BY:	DATE:	SCALE:
JKR				2020.06.23	AS SHOWN
			eFILE:	PROJECT No:	SHEET No:
			2020053V0.dwg	2020-053	A6-R1

V:\A-CAD\ARCHIVE\SPESHOCKEY RINK