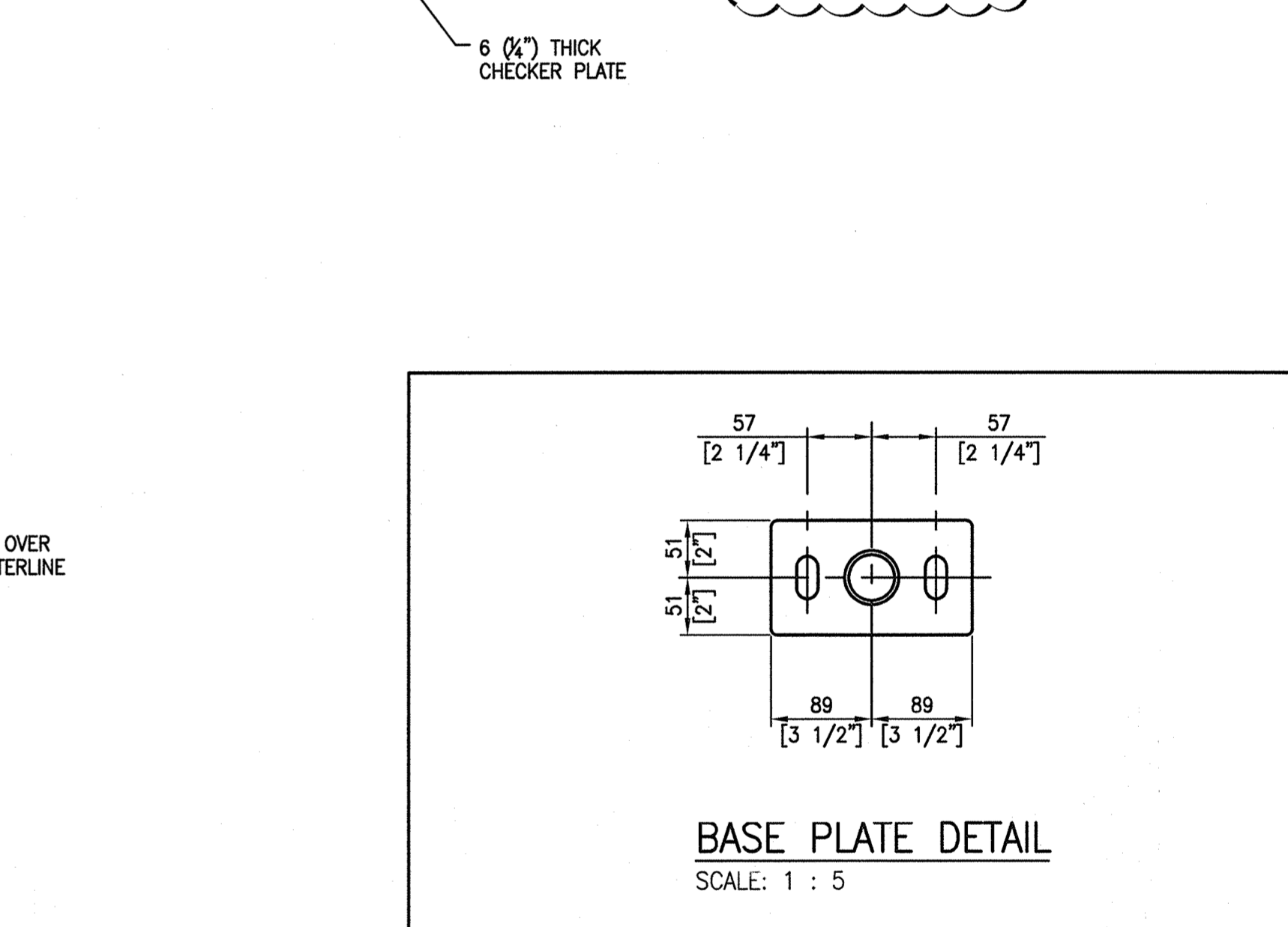
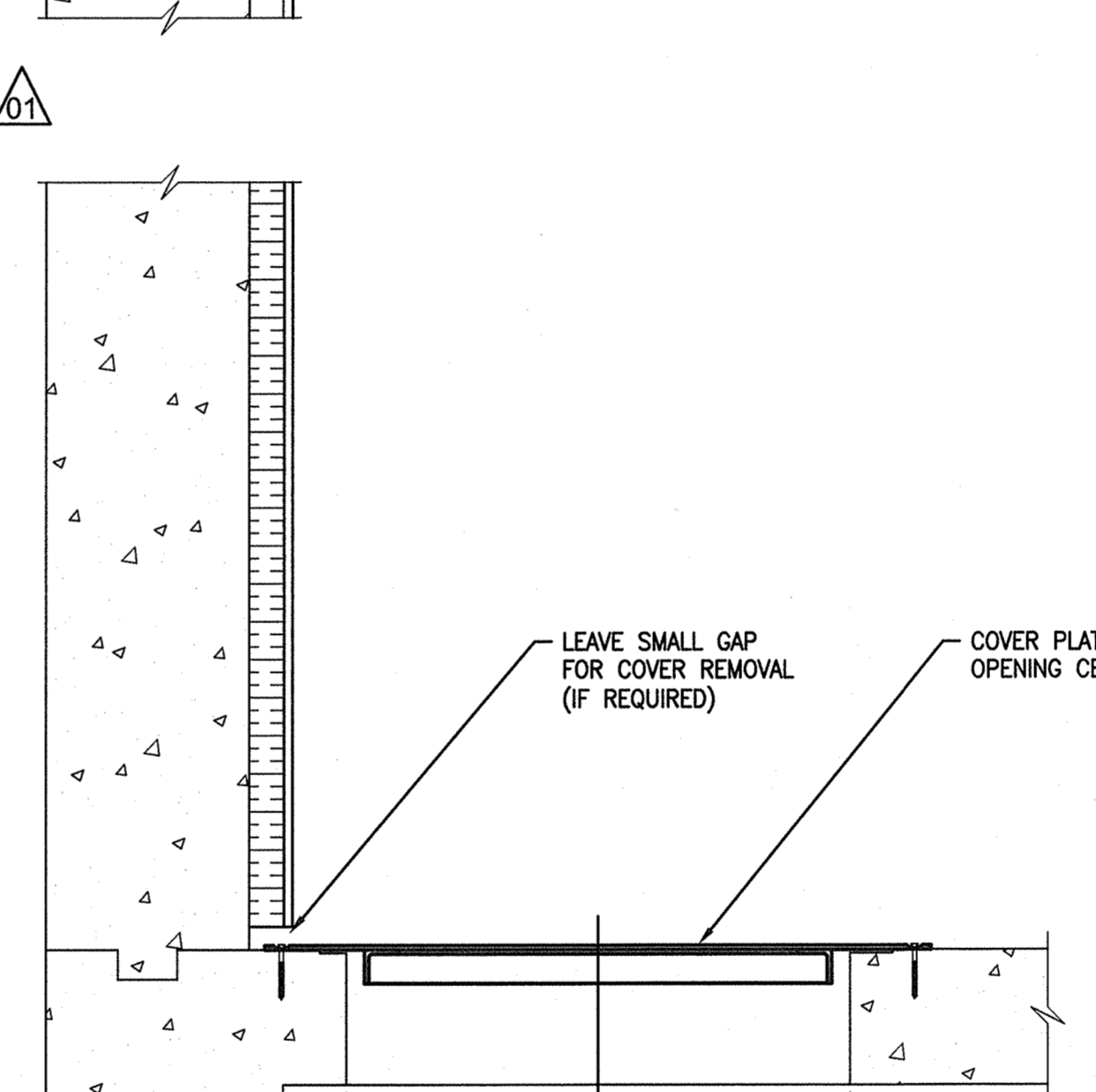
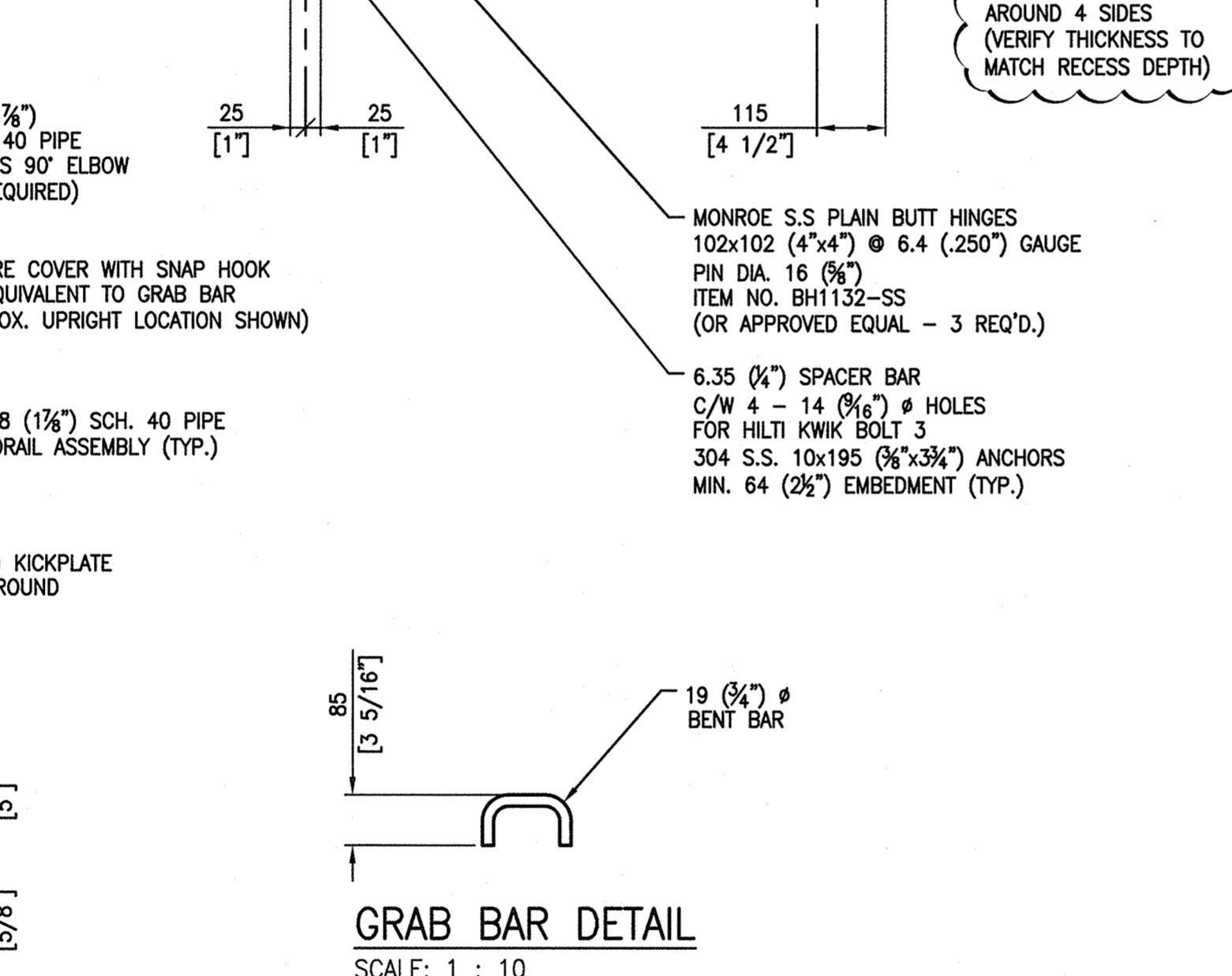
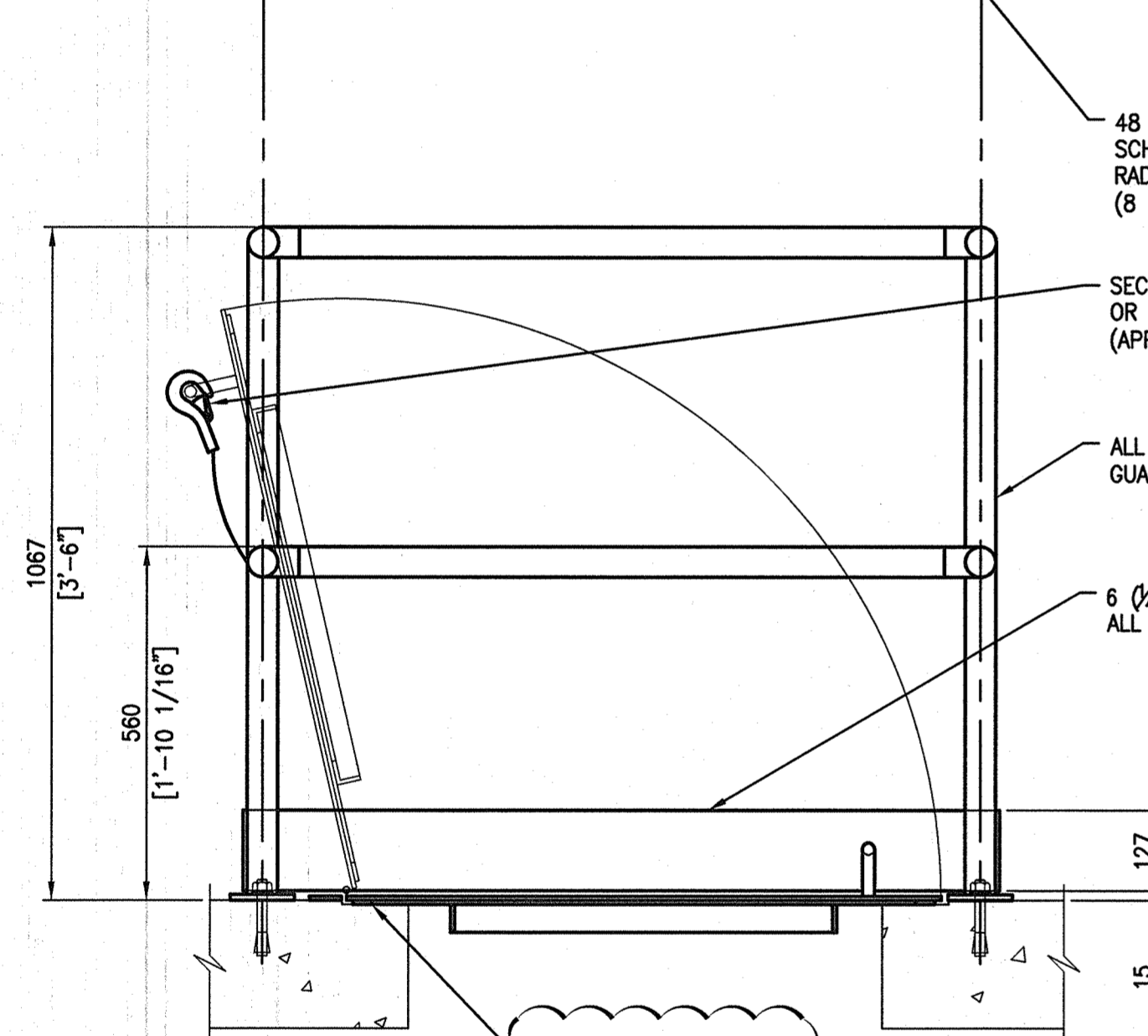
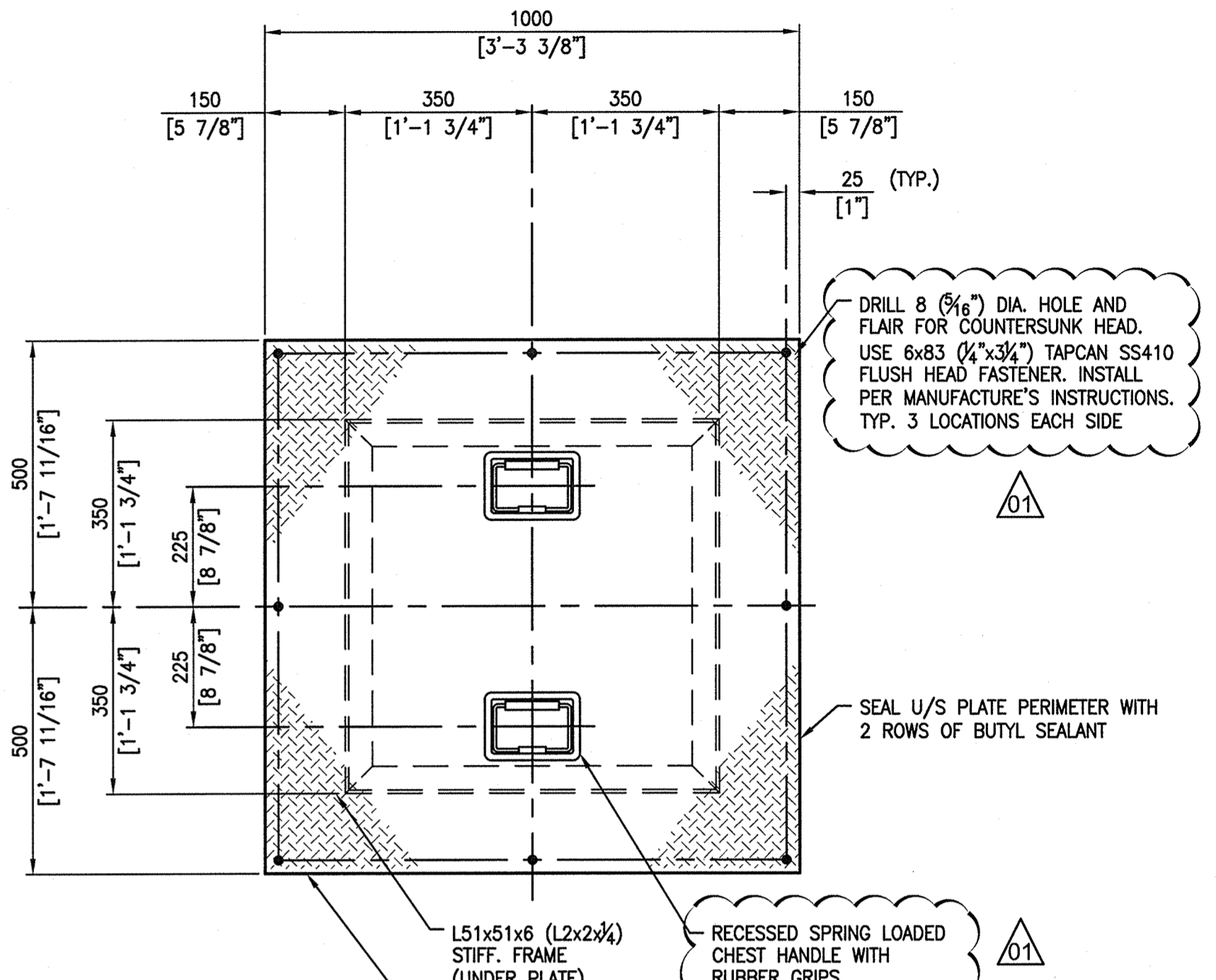
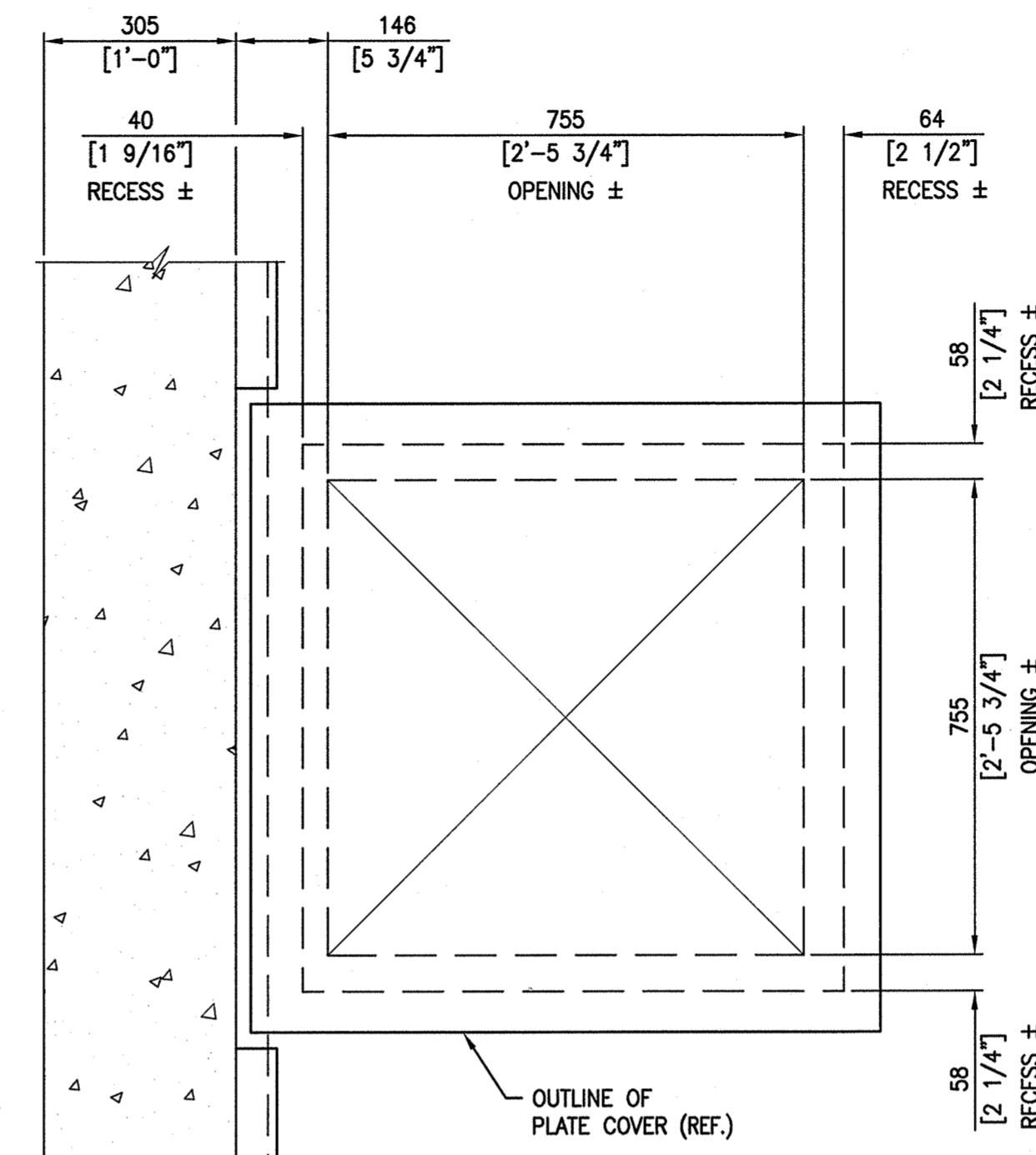
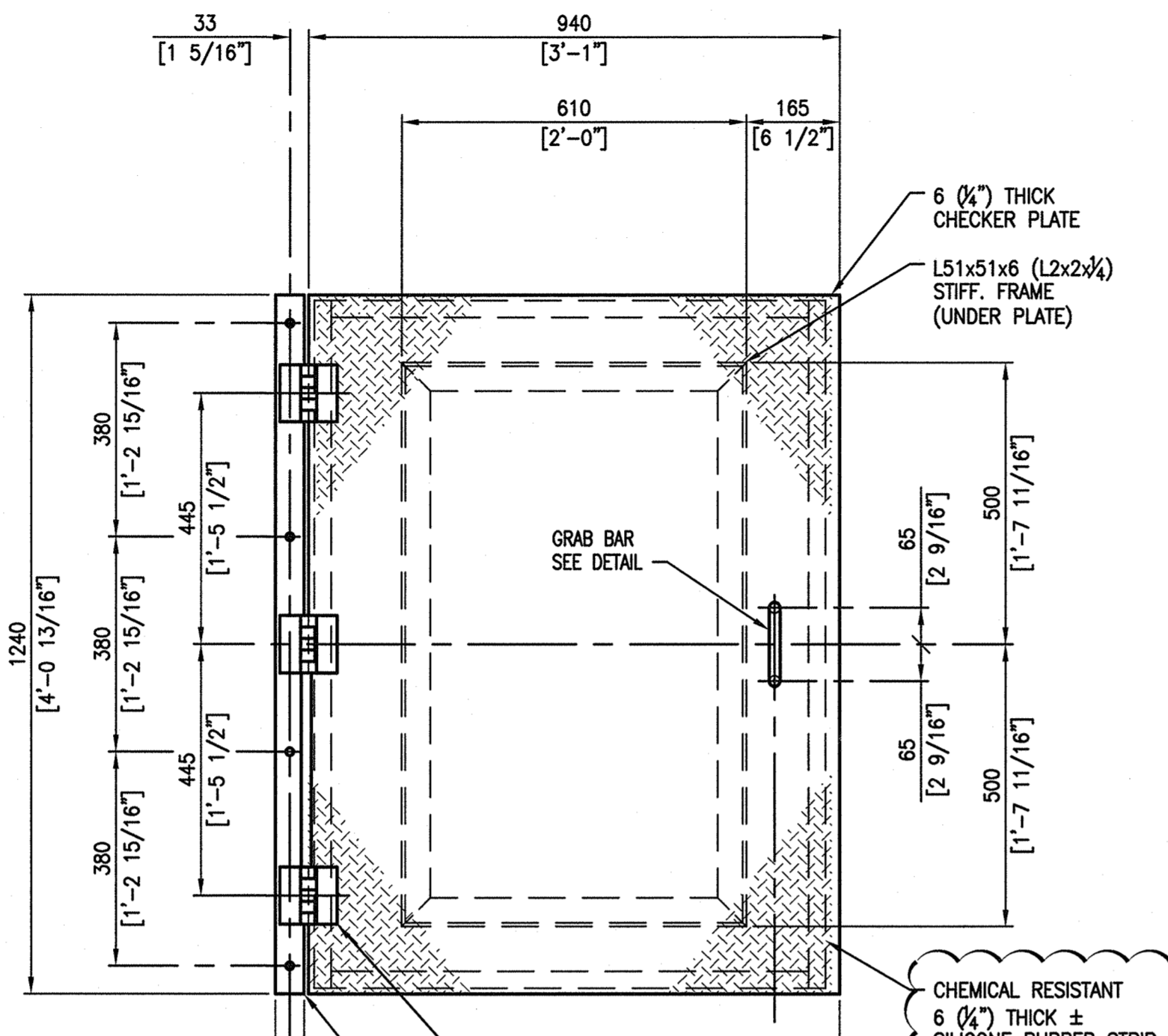
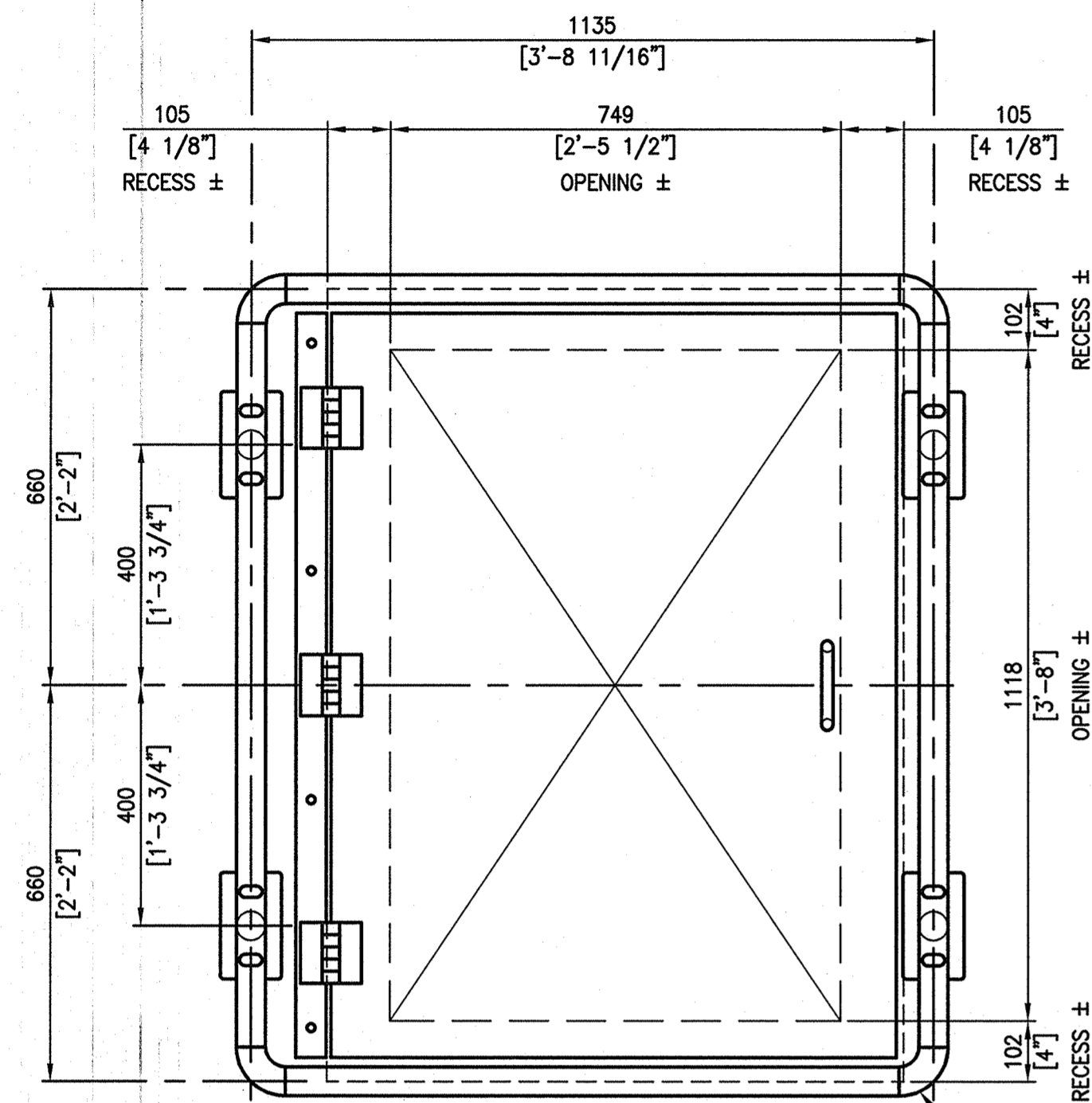


NOTES:

- 1. SEE DRAWING 1-0173F-S0001 FOR GENERAL NOTES.
- 2. SEE DRAWING 1-0173F-S0002 FOR STRUCTURAL NOTES.



3
S0005
HATCHWAY COVER DETAIL
SCALE: 1 : 10
SOURCE DRAWING 1-0173F-S0001

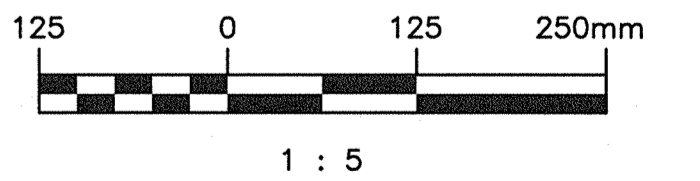
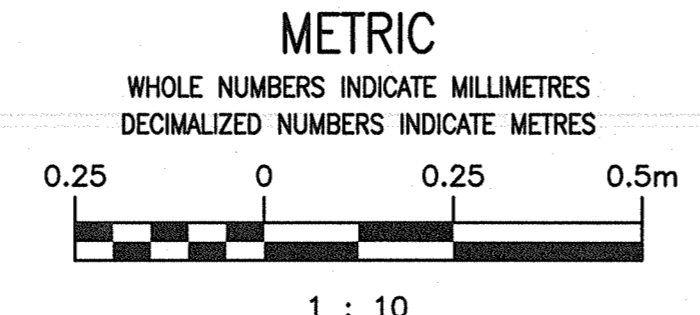
4
S0005
OPENING COVER DETAIL
SCALE: 1 : 10
SOURCE DRAWING 1-0173F-S0001

BASE PLATE DETAIL
SCALE: 1 : 5

NOTE: TAKE CARE TO NOT DAMAGE EXIST. CONCRETE REINFORCING WHEN INSTALLING GUARDRAIL SUPPORTS. REFER TO NOTES ON DRAWING 1-0173F-S0002 FOR INSTALLATION PROCEDURE.

ALL STRUCTURAL 304 S.S. SHAPES AND PLATES CONFORM TO AISA 430 AND ASTM A276.

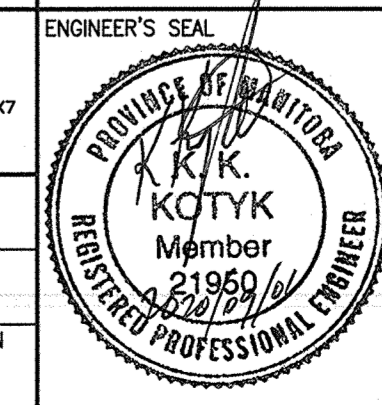
NOTE - LOCATED HANDRAIL MOUNTING PLATES AS REQUIRED TO CLEAR EXIST. CONCRETE REINFORCING (TYP.)



LD-2960	POLSON FLOOD PUMPING STATION - CONCRETE SLAB REPAIR
LD-2644	POLSON FLOOD PUMPING STATION - ACCESS HATCH
LD-2643	POLSON FLOOD PUMPING STATION - FLAPGATE INSTALLATION
5-SD-4	POLSON AVENUE PUMPING STATION - SHEET 2
5-SD-4	POLSON AVENUE PUMPING STATION - SHEET 1
512	POLSON COMMUNOTOR STATION - REINFORCING STEEL DETAILS
511	POLSON COMMUNOTOR STATION - CONSTRUCTION DETAILS
DRAWING NUMBER	REFERENCE DRAWINGS

01	ISSUED FOR CONSTRUCTION	2020/09/11	K.K.	B.C.
00	ISSUED FOR TENDER, BID OP 567-2020	2020/08/19	K.K.	B.C.
NO. REVISIONS	DATE	DESIGN	CHECK	

DESIGNED BY:	K. KOTYK	CHECKED BY:	B. CLEVEN
DRAWN BY:	B. DICKSON	APPROVED BY:	B. CLEVEN
SCALE:	AS SHOWN	ISSUED FOR CONSTRUCTION BY:	K. ZUREK
DATE:	2020/05/25	DATE:	2020/09/02
CONSULTANT NO.:			



THE CITY OF WINNIPEG WATER AND WASTE DEPARTMENT			
POLSON FLOOD PUMPING STATION 2020 UPGRADES STRUCTURAL MODIFICATIONS - COMMUNOTOR CHAMBER HATCH COVER DETAILS			
CITY DRAWING NUMBER	SHEET	REV.	SIZE
1-0173F-S0005	001	01	A1