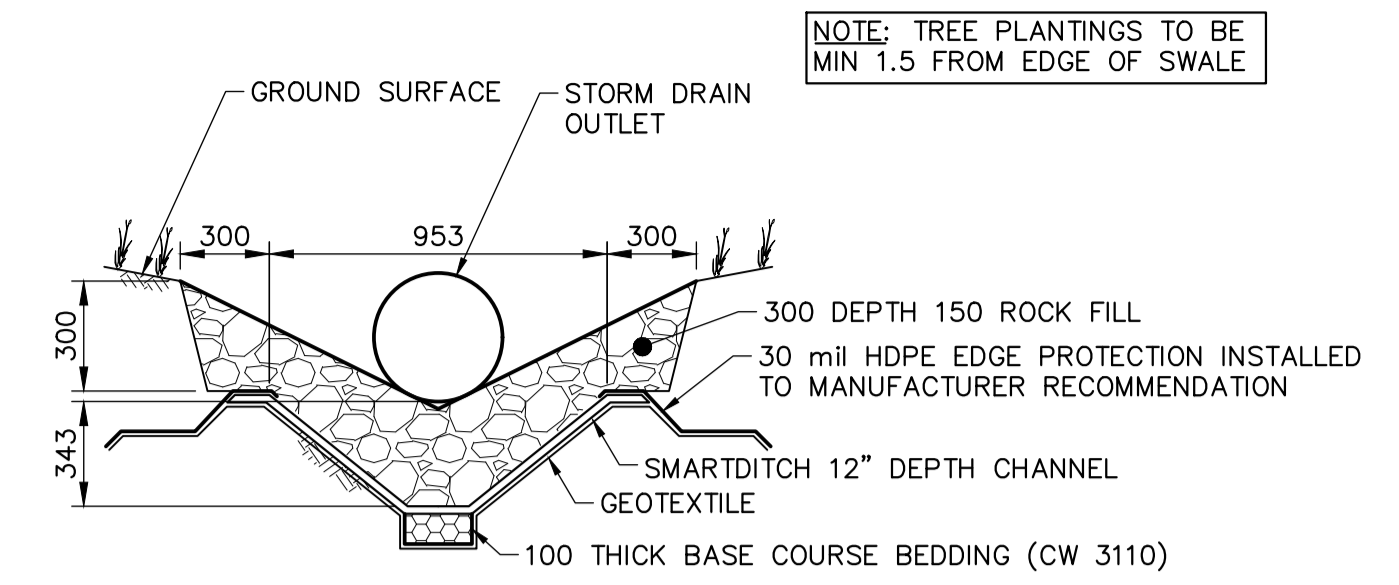
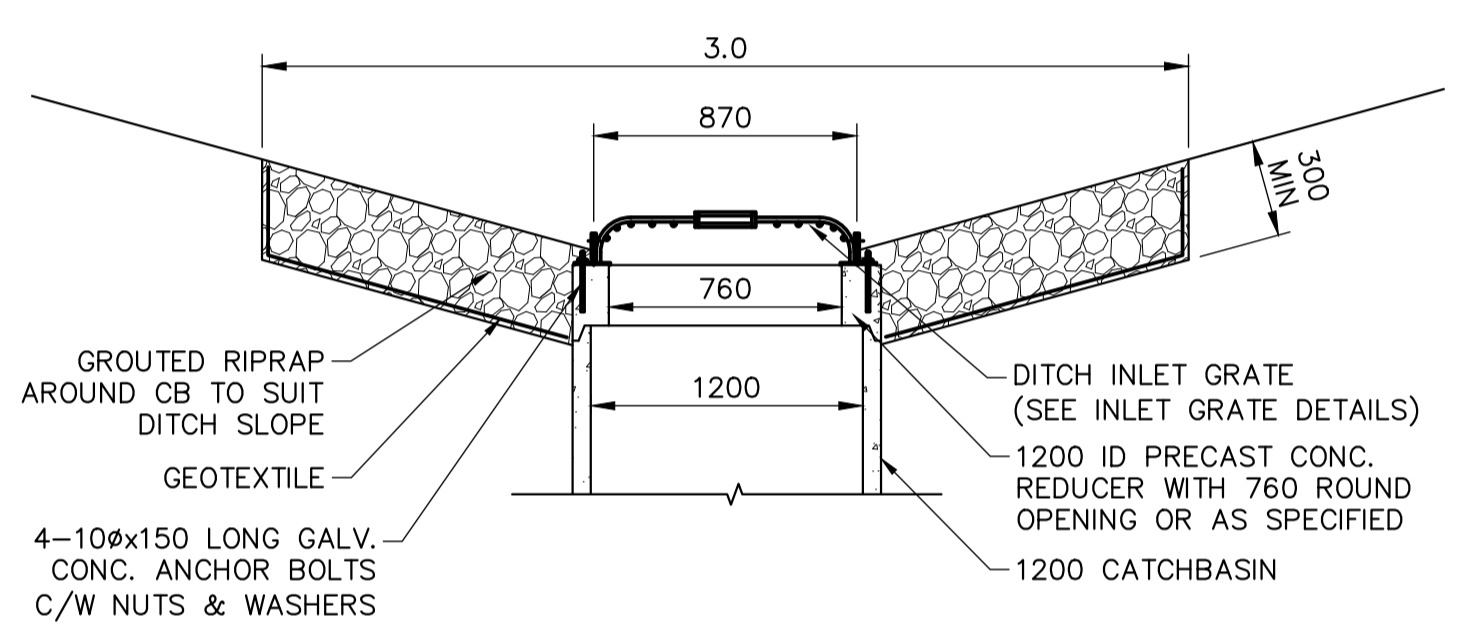
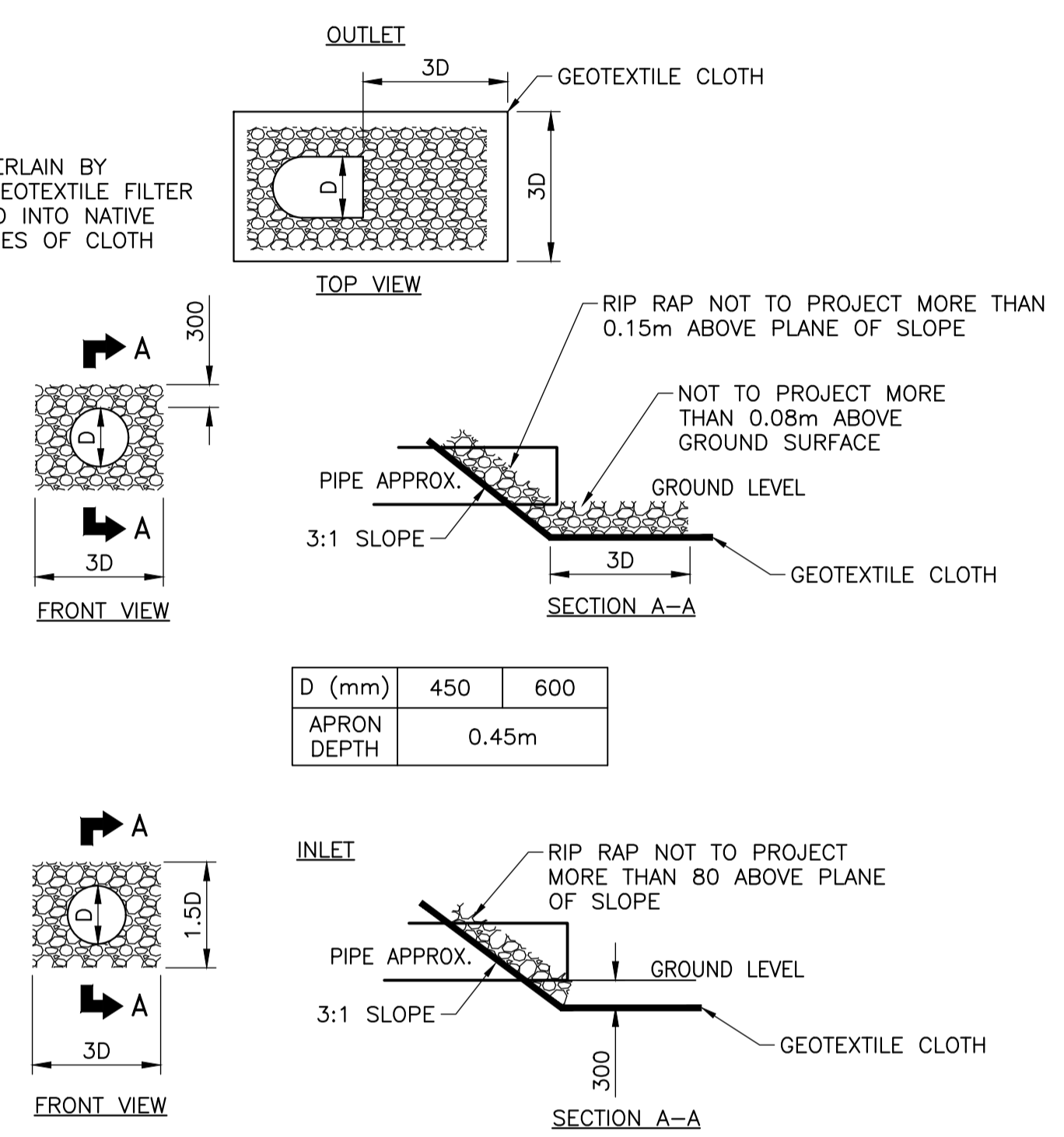


**TYPICAL VEGETATED HDPE-LINED DRAINAGE SWALE**  
SCALE: NTS

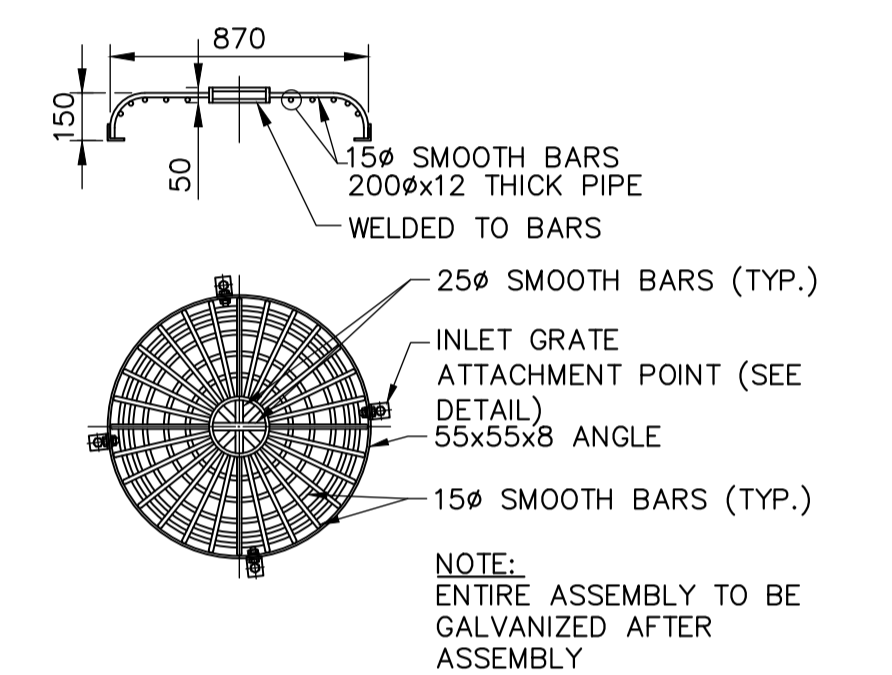


**TYPICAL SWALE SECTION**  
SCALE: 1:20

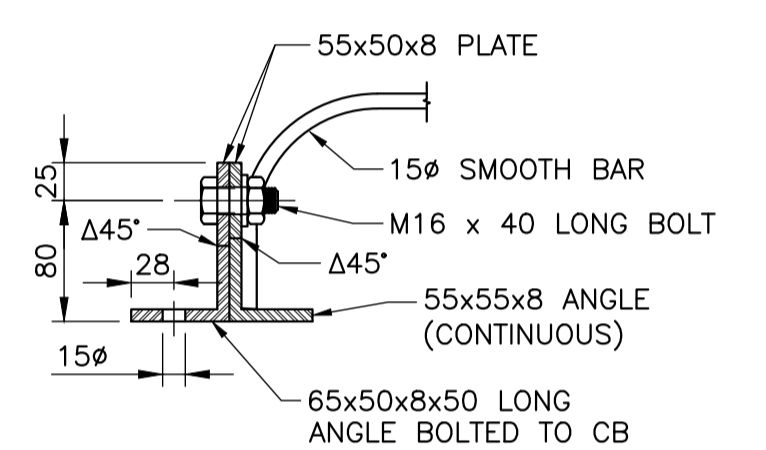
**NOTES:**  
1. RIP RAP TO BE UNDERLAIN BY MEDIUM THICKNESS GEOTEXTILE FILTER CLOTH THAT IS KEYED INTO NATIVE MATERIAL AT ALL EDGES OF CLOTH



**BEEHIVE CATCH BASIN DETAIL**  
SCALE: 1:25

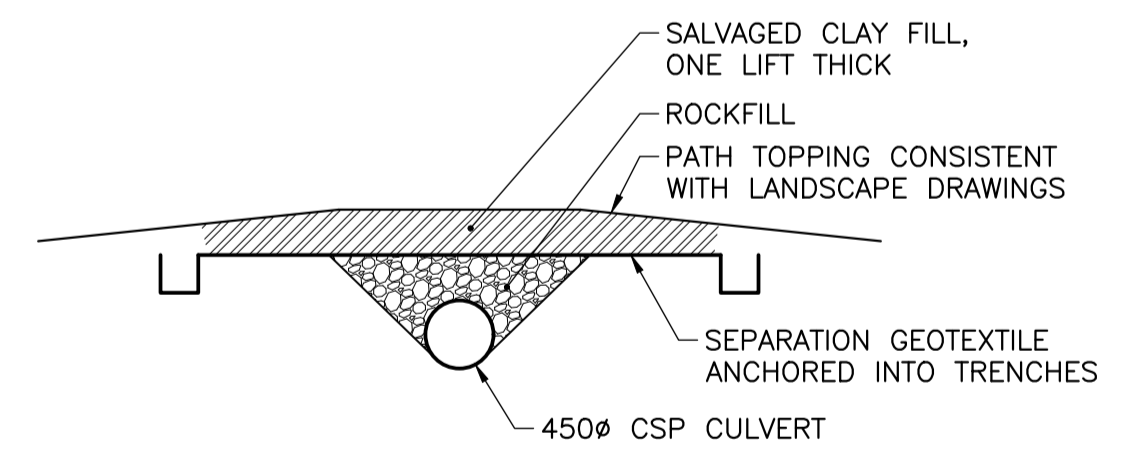


**BEEHIVE INLET GRATE DETAIL**  
SCALE: 1:25



**BEEHIVE INLET GRATE ATTACHMENT DETAIL**  
SCALE: 1:5

**CULVERT INLET RIPRAP PLACEMENT**  
SCALE: NTS



**PROPOSED CSP SWALE CROSSING DETAIL**  
SCALE: NTS

**PROPERTY LIMITS DELINEATION**  
DELINEATION OF PROPERTY LIMITS AS SHOWN ON THIS DWG DOES NOT REPRESENT A "LEGAL SURVEY". KGS GROUP MAKES NO REPRESENTATION OR WARRANTY AS TO THE ACCURACY OF PROPERTY LIMITS DELINEATED ON THIS DWG, NOR ON THE DIMENSIONAL ACCURACY OF DWG FEATURES RELATIVE TO THOSE PROPERTY LIMITS.

**WARNING**  
NOTIFY THE GAS COMPANY OF THE PROPOSED LOCATION OF EXCAVATION. TAKE PRECAUTION TO AVOID DAMAGE TO GAS COMPANY INSTALLATIONS. SEE PROVINCIAL REGULATION 210/72 FOR DETAILS.

**METRIC**  
WHOLE NUMBERS INDICATE MILLIMETRES  
DECIMALIZED NUMBERS INDICATE METRES

R:\PROJECTS\2018\18-0107-011\DWG\MUN\18-0107-011\_CALL STORM DRAINS.DWG PLOT 1:1 (A-1) 2020-10-15

300_LDS	LAND DRAINAGE SEWER	300_LDS							
250_WWS	WASTE WATER SEWER	250_WWS							
	GAS								
	HYDRO								
	M.T.S.								
150_WM	WATERMAIN	150_WM							
	HYDRANT								
	VALVE								
	MANHOLE								
	CATCH BASIN								
	CURB INLET								
	POLES								
EXISTING	LEGEND-PLAN	PROPOSED	EXISTING	LEGEND-PLAN	PROPOSED	EXISTING	LEGEND-PROFILE	PROPOSED	

**LOCATION APPROVED UNDERGROUND STRUCTURES**

SUPV. U/G STRUCTURES COMMITTEE DATE

**NOTE:**  
LOCATION OF UNDERGROUND STRUCTURES AS SHOWN ARE BASED ON THE BEST INFORMATION AVAILABLE BUT NO GUARANTEE IS GIVEN THAT ALL EXISTING UTILITIES ARE SHOWN OR THAT THE GIVEN LOCATIONS ARE EXACT. CONFIRMATION OF EXISTENCE AND EXACT LOCATION OF ALL SERVICES MUST BE OBTAINED FROM THE INDIVIDUAL UTILITIES BEFORE PROCEEDING WITH CONSTRUCTION.

B.M.	KGS_BASE	COORDINATE SYSTEM:	CGVD28
ELEV.	249.213		
NO.	REVISIONS	DATE	BY
1	RE-ISSUED FOR TENDER	20/10/15	REB
0	ISSUED FOR TENDER	20/10/08	REB

**KGS GROUP**

DESIGNED BY	NGV	CHECKED BY	
DRAWN BY	GEL	APPROVED BY	
HOR. SCALE:	AS NOTED	RELEASED FOR CONSTRUCTION:	
VERTICAL:	-	DATE	04/21/20

ENGINEER'S SEAL

**Winnipeg** THE CITY OF WINNIPEG  
PUBLIC WORKS DEPARTMENT  
ENGINEERING DIVISION

PROJECT TITLE: **WELLINGTON CRESCENT RIVERBANK, PATH AND ROADWAY PROJECT**

SHEET 33 OF 69  
COMPUTER FILE NAME

CONSULTANT DRAWING NO. **CU-07g**

CITY DRAWING NUMBER **P-3536-26**