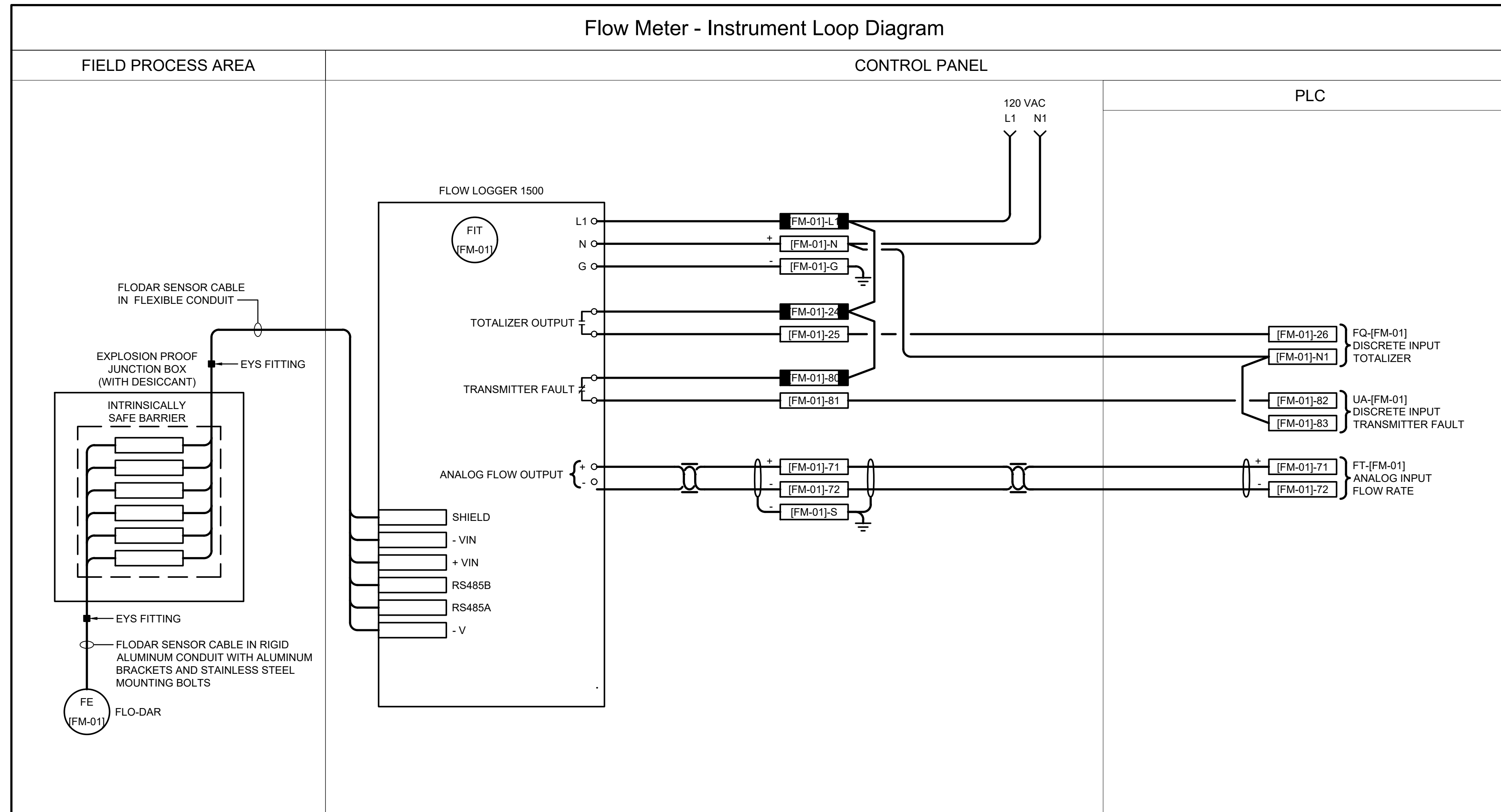


D SIZE 22" x 34" (559mm x 864mm)

PLOT: 1/15/2020 2:27:47 PM

AECOM FILE NAME: 60509089-SHT-30-FCM4-C-1001_ILD-001.dwg Saved By: pedersenj



NOTES:

- THIS DRAWING IS TYPICAL UPDATE DEVICE TAGS. TERMINAL NUMBERS, IP ADDRESSES AND WIRE NUMBERS BASED ON LOOP NUMBERS.

ENGINEERS GEOSCIENTISTS MANITOBA
 Certificate of Authorization
 AECOM Canada Ltd.
 No. 4671 Date: 20/11/05

TENDER NO. 753-2020

LOCATION APPROVED UNDERGROUND STRUCTURES			
SUPR. U/G STRUCTURES	DATE	COMMITTEE	
NOTE: LOCATION OF UNDERGROUND STRUCTURES AS SHOWN ARE BASED ON THE BEST INFORMATION AVAILABLE. BUT NO GUARANTEE IS GIVEN THAT ALL EXISTING UTILITIES ARE SHOWN OR THAT THE GIVEN LOCATIONS ARE EXACT. CONFIRMATION OF EXISTENCE AND EXACT LOCATION OF ALL SERVICES MUST BE OBTAINED FROM THE INDIVIDUAL UTILITIES BEFORE PROCEEDING WITH CONSTRUCTION.			

NO.	REVISIONS	DATE	BY
0	ISSUED FOR CONSTRUCTION	20/11/05	KLC

AECOM

DESIGNED BY: SS	CHECKED BY: JYR
DRAWN BY: ADL	APPROVED BY: DA
HOR. SCALE: AS NOTED	RELEASED FOR CONSTRUCTION
VERT. SCALE: AS NOTED	DATE

PROFESSIONAL'S SEAL

CONSULTANT DRAWING NO. 60509089-SHT-30-ILD-001

THE CITY OF WINNIPEG WATER AND WASTE DEPARTMENT

NORtheast INTERCEPTOR RIVER CROSSING FLOW MONITORING INSTRUMENTATION

FLOW MONITORING
FLOW METER
INSTRUMENT LOOP DIAGRAM

SHEET 5 OF 5
CITY DRAWING NUMBER 1-0110S-A0001-001
REV 0

METRIC
 WHOLE NUMBERS INDICATE MILLIMETRES
 DECIMALIZED NUMBERS INDICATE METRES