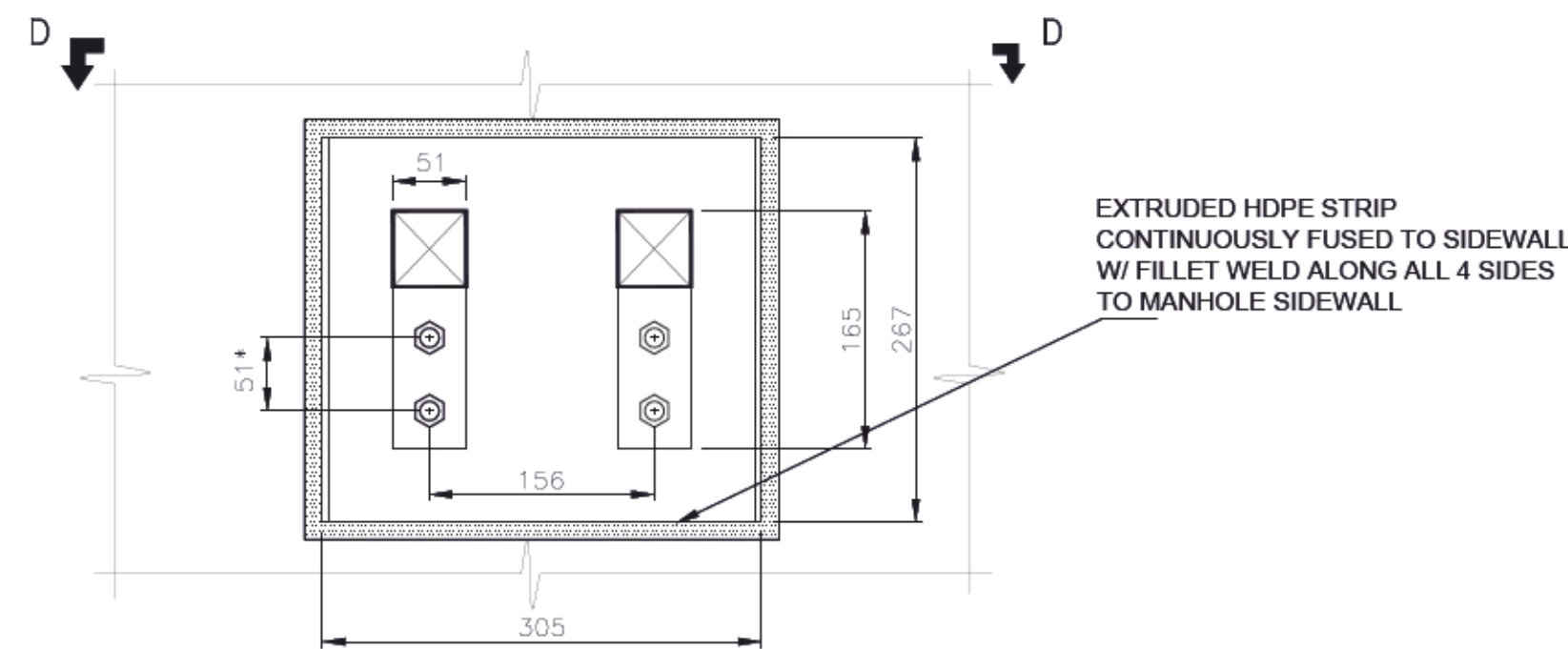
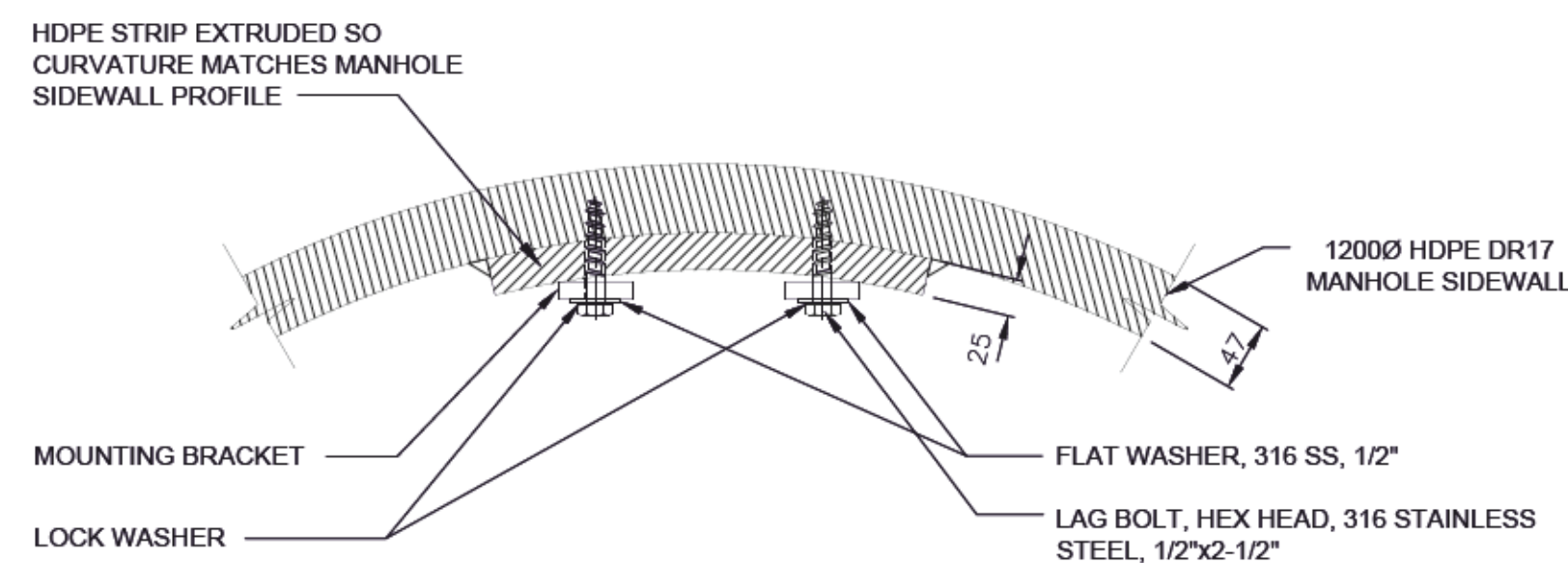


NOTE: MANHOLE PUMP AND ACCESSORIES, ABOVE GROUND COMPRESSED AIR PIPING AND MANHOLE COVER NOT SHOWN FOR CLARITY. REFER TO SECTION AND SHT. 10 - 15 FOR ADDITIONAL DETAILS. THE CONTRACTOR TO FIELD LOCATE THE MH CONNECTION.

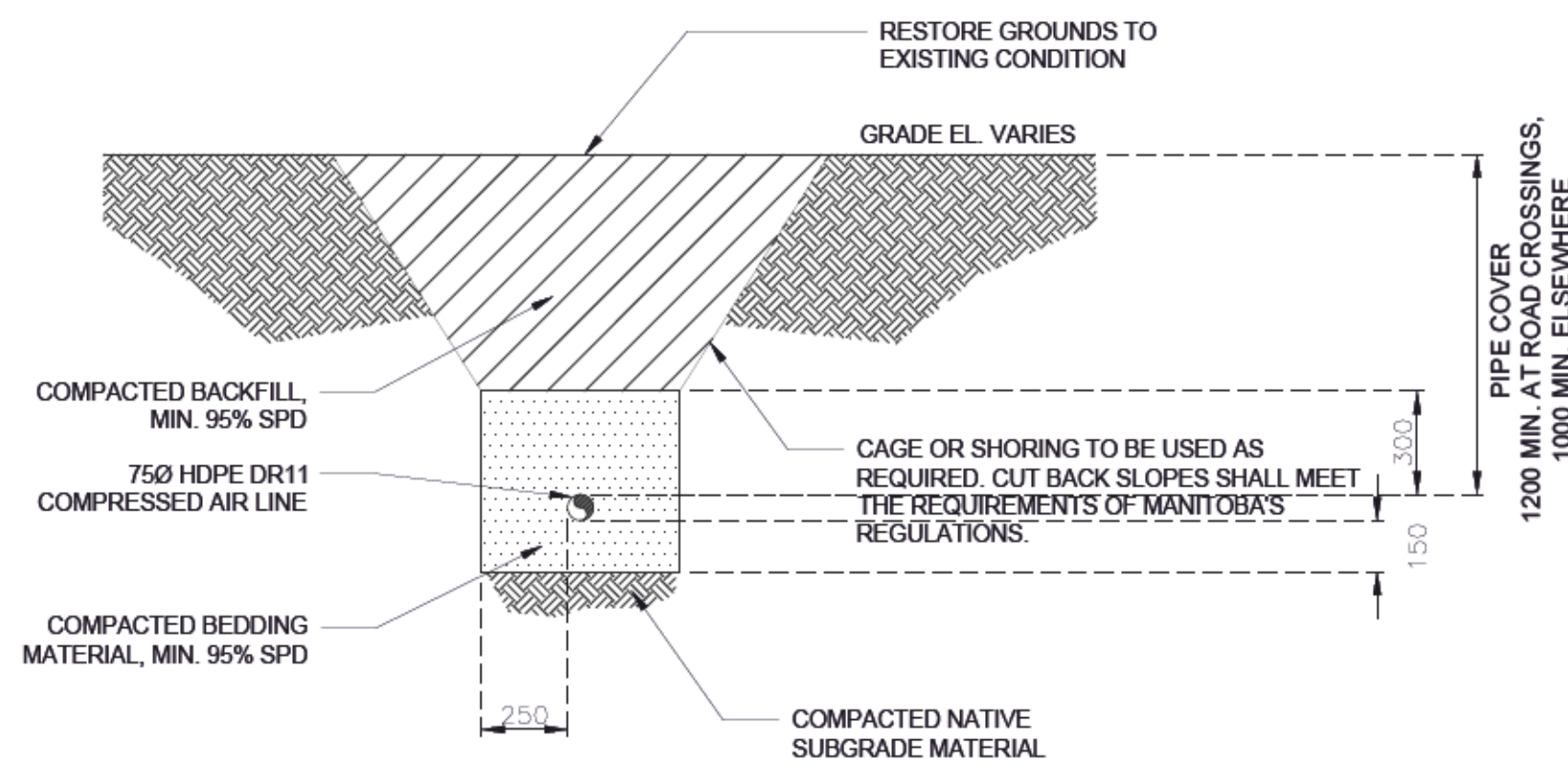
1 PLAN - CELL 33 MANHOLE
SHT-13 SCALE: 1:20mm



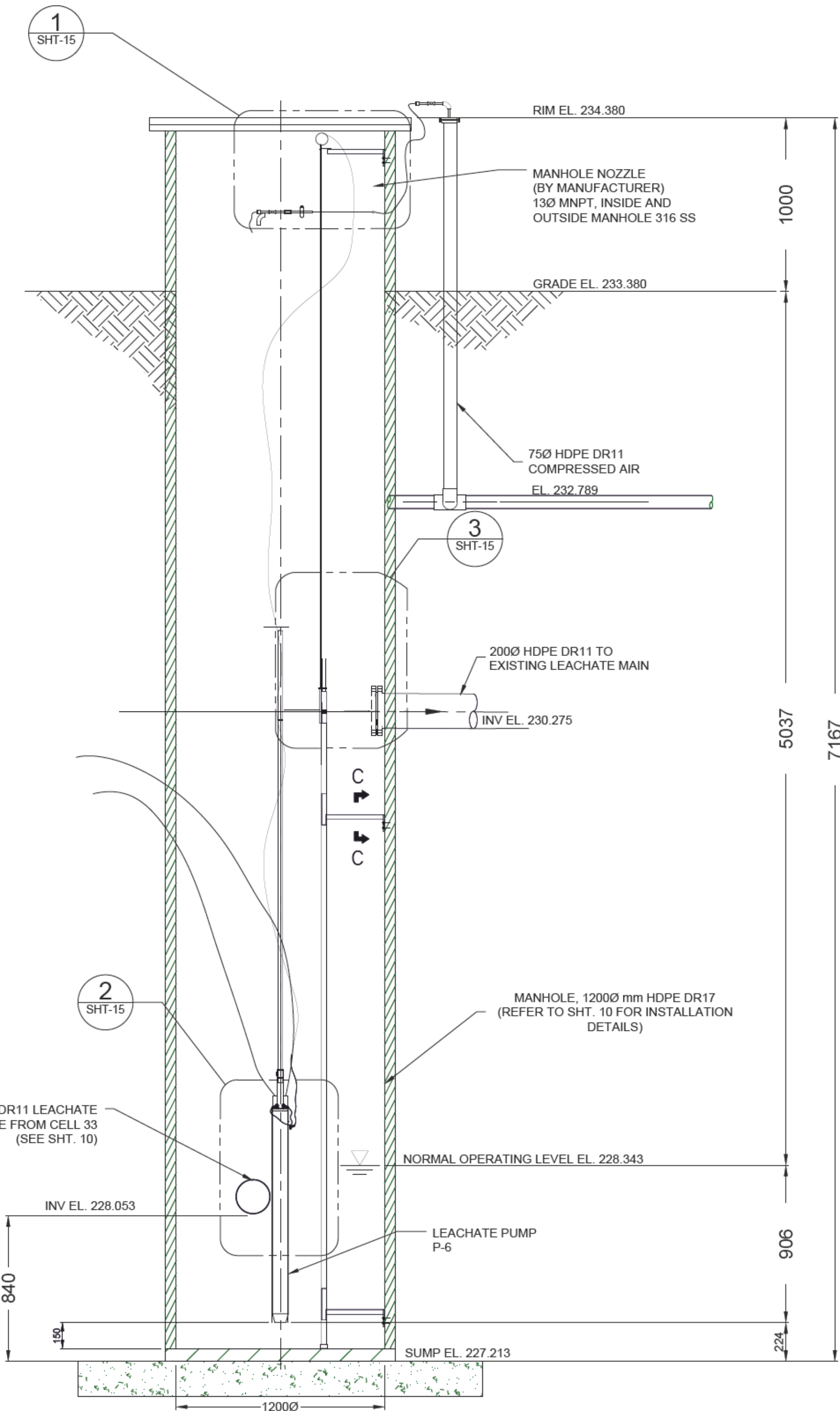
C-C DETAIL - SUPPORT BRACKET
SHT-14 SCALE: 1:5mm



D-D SECTION - MANHOLE
SHT-14 SCALE: 1:5mm



B-B SECTION - COMPRESSED AIR PIPE TRENCH
SHT-14 SCALE: N.T.S.



A-A SECTION - CELL 33 MANHOLE
SHT-14 SCALE: 1:20mm

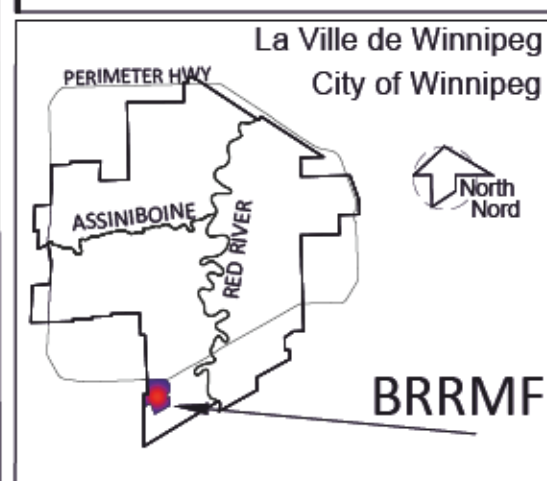
NOTES: COMPRESSED AIR SUPPLY TO MANHOLE AND LADDER NOT SHOWN FOR CLARITY. REFER TO PLAN AND SHT. 10 FOR DETAILS.

MECHANICAL GENERAL NOTES:

- PERFORM WORK IN ACCORDANCE WITH ALL APPLICABLE CODES AND REGULATIONS.
- THE CONTRACTOR SHALL REVIEW THE PROJECT DRAWINGS AND SPECIFICATIONS PRIOR TO ANY CONSTRUCTION ON SITE. ANY DISCREPANCIES, MISSING DIMENSION AND/OR REQUIRED DETAILS SHALL BE BROUGHT TO THE ATTENTION OF THE CONTRACT ADMINISTRATOR BEFORE AFFECTED WORK IS COMMENCED. THE CONTRACTOR IS RESPONSIBLE TO OBTAIN ALL REQUIRED INFORMATION PRIOR TO STARTING WORK.
- THE CONTRACTOR SHALL FIELD CONFIRM LOCATIONS OF ALL PIPING, STRUCTURES AND SERVICES ABOVE OR BELOW GROUND PRIOR TO CONSTRUCTION. THE CONTRACTOR SHALL VERIFY ALL DIMENSIONS AND EQUIPMENT LOCATIONS PRIOR TO CONSTRUCTION AND REPORT DISCREPANCIES PRIOR TO PROCEEDING WITH THE WORK. FIELD CONFIRM EXISTING GRADE ELEVATIONS AT MANHOLE LOCATIONS.
- ALL EXISTING CONSTRUCTION ALTERED OR DAMAGED DURING THE COURSE OF WORK SHALL BE MADE GOOD TO MATCH.
- THE CONTRACTOR SHALL COORDINATE WITH THE CONTRACT ADMINISTRATOR TO ENSURE THE WORK DOES NOT DISRUPT NORMAL SITE OPERATIONS.

METRIC / MÉTRIQUE
WHOLE NUMBERS INDICATE MILLIMETERS
DECIMALIZED NUMBERS INDICATE METRES /
LES NUMÉROS ENTIERS INDICQUENT LES MILLIMÈTRES
LES NUMÉROS DÉCIMALIÉS INDICQUENT LES MÈTRES

GEODETIC REFERENCE
Projection: UTM Zone14N
Units: Metres
Datum: NAD83
Ellipsoid: GRS80



LEGEND/LEGENDE

	COMPACTED CLAY		COMPACTED NATIVE-SUBGRADE MATERIAL		COMPACTED BEDDING
	REINFORCED CONCRETE				

NOTES:

- MANHOLE NOT SUITED FOR TRAFFIC LOADING.
- PUMPING SYSTEMS NOT SHOWN FOR CLARITY. LEACHATE PUMP AND INTERNAL PIPING DETAILS PROVIDED ON MECHANICAL DRAWINGS AND VERIFY LOCATION AND DAYLIGHT UTILITIES ALONG LEACHATE FOREMAIN AND MANHOLE ALIGNMENT.
- ALL PIPE ELEVATION (ESP, MANHOLE CONNECTIONS) ARE APPROXIMATE AND TO BE CONFIRMED BY THE CONTRACTOR DURING CONSTRUCTION.

B.M. ELEV.	SWS GCP N: 5 513 301.225 E: 629 498.188 234.063
CONSTRUCTION COMPLETION DATE:	
1	ISSUED FOR TENDER 2021/02/17
0	ISSUED FOR REGULATORY COMPLIANCE 2021/02/12 HSW
NO.	REVISIONS DATE BY

KGS GROUP

ENGINEERS
GEO-SCIENTISTS
MANITOBA
Certificate of Authorization
KGS Group
No. 245

THE CITY OF WINNIPEG / LA VILLE DE WINNIPEG
WATER AND WASTE DEPARTMENT
SOLID WASTE SERVICES

DESIGNED BY: HW	CHECKED BY: HW
DRAWN BY: BP	APPROVED BY:
SCALE: HORIZONTAL AS NOTED	ISSUED FOR REVIEW
VERTICAL AS NOTED	
DATE: 2021/02/09	DATE: 2021/02/10

BRADY ROAD RESOURCE MANAGEMENT FACILITY (BRRMF)
AREA A CONSTRUCTION - CELL 33

MANHOLE

SHEET 14 OF 15
CITY DRAWING NUMBER
1-0400A-M0022-001 - R1.dwg