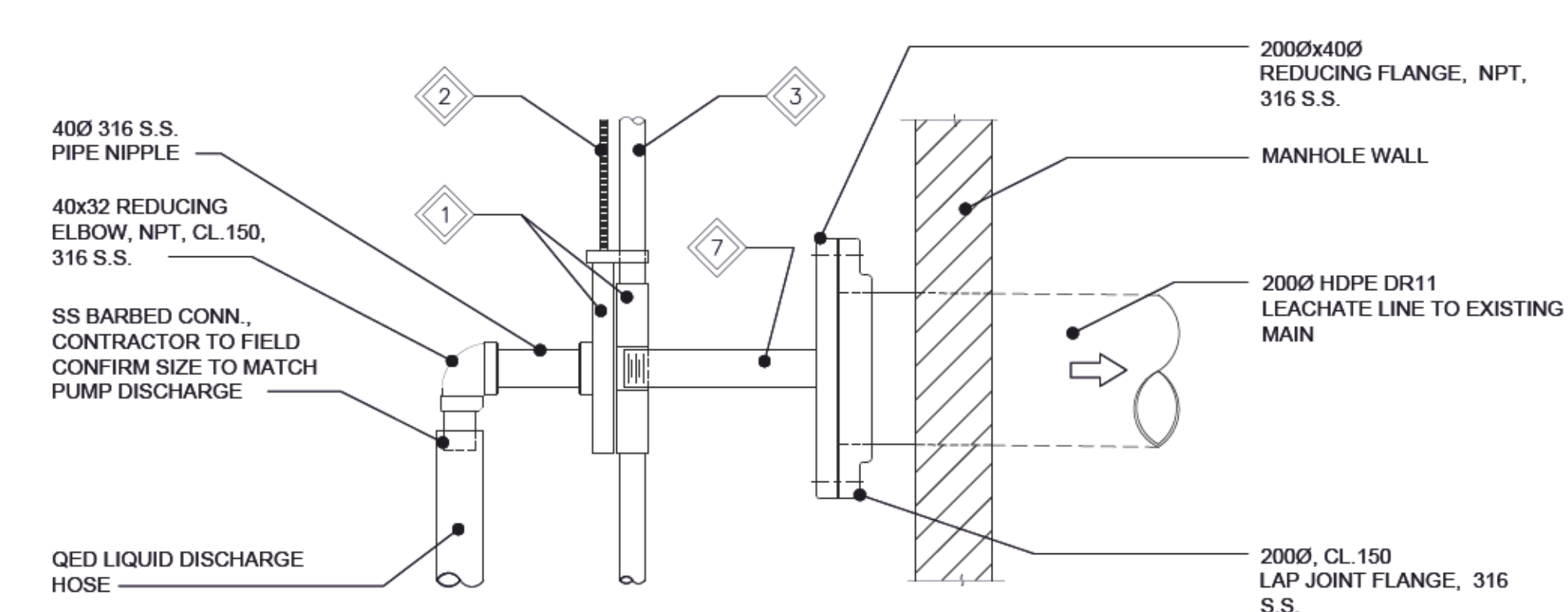


**1** DETAIL - COMPRESSED AIR SUPPLY  
SHT -14 SCALE: NTS

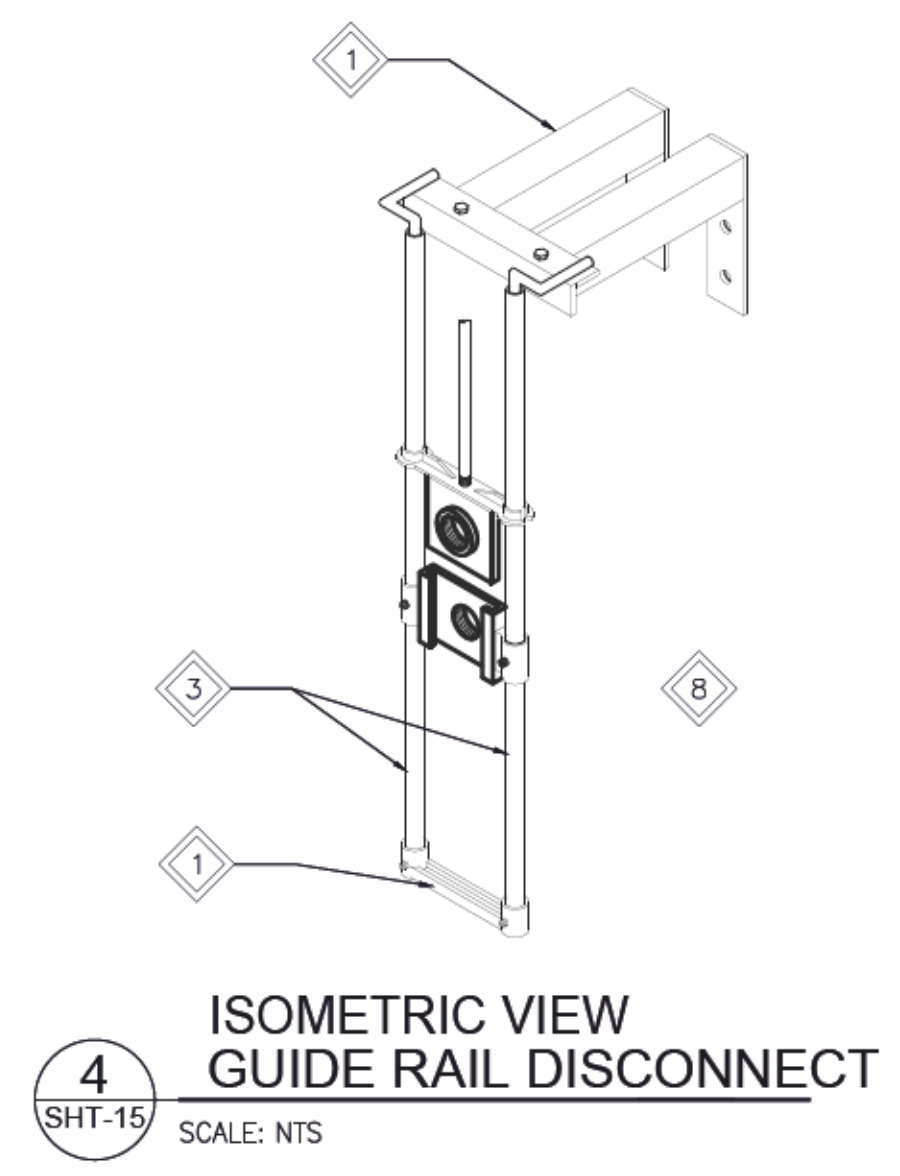


**3** DETAIL - LEACHATE DISCHARGE FROM MANHOLE  
SHT -14 SCALE: NTS

**2** DETAIL - MANHOLE PUMP  
SHT -14 SCALE: NTS

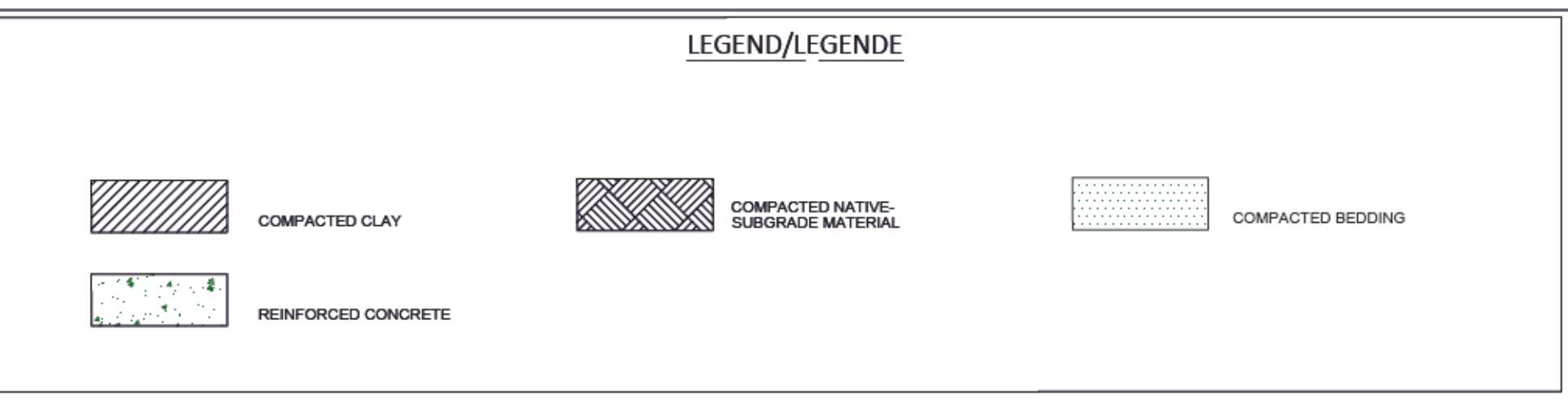
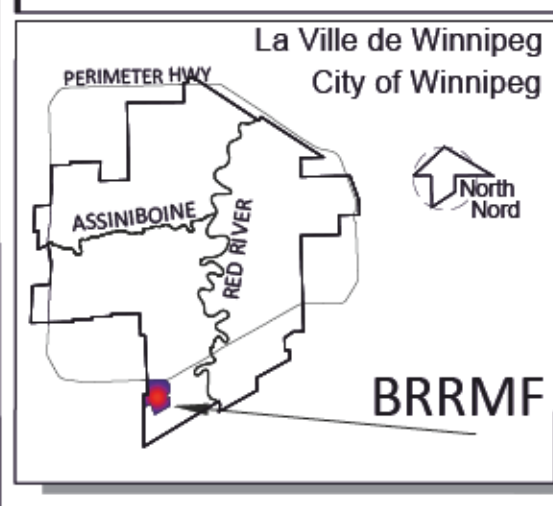
- GENERAL NOTES:**
- REFER TO SHT. 14 FOR MECHANICAL GENERAL NOTES.
  - SUPPLIED WITH PUMP.
  - PROVIDE SUFFICIENT LENGTH OF TUBING TO ALLOW REMOVAL OF PUMP FROM SUMP.
  - INSTALL INSIDE MANHOLE NEAR COVER, SECURE TO WALL.

- KEYNOTES:**
- RAIL AND DISCONNECT SYSTEM, SIZE 1 1/2" NPT. 2 STANDOFFS INCLUDED W/ KIT. MODEL: ZOELLER PUMP CO. MODEL 39-0003
  - 3/8"-16 UNC S.S. THREADED ROD. USE 6" LENGTHS AND 3/8"-16 UNC S.S. COUPLING NUTS. EACH COUPLING NUT IS DOUBLE-NUTTED TO LOWER THREADED ROD. UPPER THREADED ROD AT EACH COUPLING NUT CAN BE TURNED OUT AS PUMP IS LIFTED OUT OF CELL.
  - GUIDE RAILS: 3/4" IPS, S.S. PIPE.
  - INTERMEDIATE GUIDE RAIL BRACKET. MODEL: ZOELLER PUMP CO. MODEL 39-0022.
  - S.S. STANDOFF NEAR TOP OF CELL TO PREVENT LATERAL MOVEMENTS OF THREADED ROD WHEN IT IS IN ITS FULL LENGTH/STORED POSITION.
  - AIR SUPPLY, AIR EXHAUST AND PUMP DISCHARGE TUBING. MODEL: QED TRI-HOSE BUNDLE.
  - LENGTH OF PIPE NIPPLE BASED ON ZOELLER GUIDE RAIL BRACKET LENGTH.
  - INTERMEDIATE AND BOTTOM SUPPORT BRACKETS NOT SHOWN



METRIC / MÉTRIQUE  
WHOLE NUMBERS INDICATE MILLIMETERS  
DECIMALIZED NUMBERS INDICATE METRES /  
LES NUMEROS ENTIER INDIOUENT LES MILLIMETRES  
LES NUMEROS DECIMALIES INDIOUENT LES METRES

GEODETTIC REFERENCE  
Projection: UTM Zone14N  
Units: Metres  
Datum: NAD83  
Ellipsoid: GRS80



**NOTES:**

- MANHOLE NOT SUITED FOR TRAFFIC LOADING.
- PUMPING SYSTEMS NOT SHOWN FOR CLARITY. LEACHATE PUMP AND INTERNAL PIPING DETAILS PROVIDED ON MECHANICAL DRAWINGS AND VERIFY LOCATION AND DAYLIGHT UTILITIES ALONG LEACHATE FORCEMAIN AND MANHOLE ALIGNMENT.
- ALL PIPE ELEVATION (ESP. MANHOLE CONNECTIONS) ARE APPROXIMATE AND TO BE CONFIRMED BY THE CONTRACTOR DURING CONSTRUCTION.

B.M. SWS GCP N: 5 513 301.225 E: 620 498.188 ELEV. 234.093	CONSTRUCTION COMPLETION DATE:	
1	ISSUED FOR TENDER	2021/02/17
0	ISSUED FOR REGULATORY COMPLIANCE	2021/02/12 HSW
NO.	REVISIONS	DATE BY

**KGS GROUP**

ENGINEERS  
GEOLOGISTS  
MANITOBA

Certificate of Authorization  
KGS Group  
No. 245

**THE CITY OF WINNIPEG / LA VILLE DE WINNIPEG**  
WATER AND WASTE DEPARTMENT  
SOLID WASTE SERVICES

DESIGNED BY: HW	CHECKED BY: BP	BRADY ROAD RESOURCE MANAGEMENT FACILITY (BRRMF) AREA A CONSTRUCTION - CELL 33	SHEET 15 OF 15
DRAWN BY: BP	APPROVED BY:		
SCALE: HORIZONTAL AS NOTED VERTICAL AS NOTED	ISSUED FOR REVIEW DATE: 2021/02/10	CITY DRAWING NUMBER 1-0400A-M0023-001 - R1.dwg	

**MECHANICAL DETAILS**