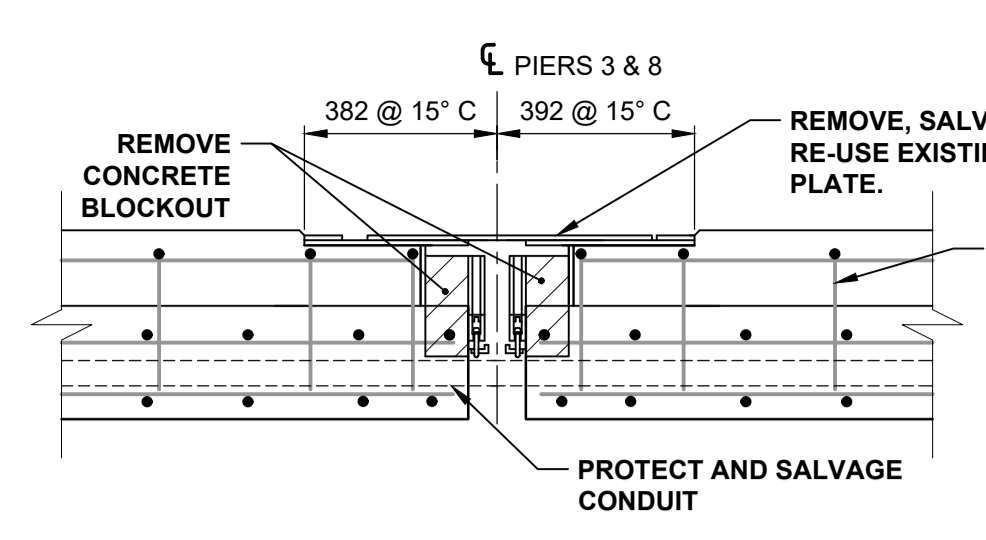
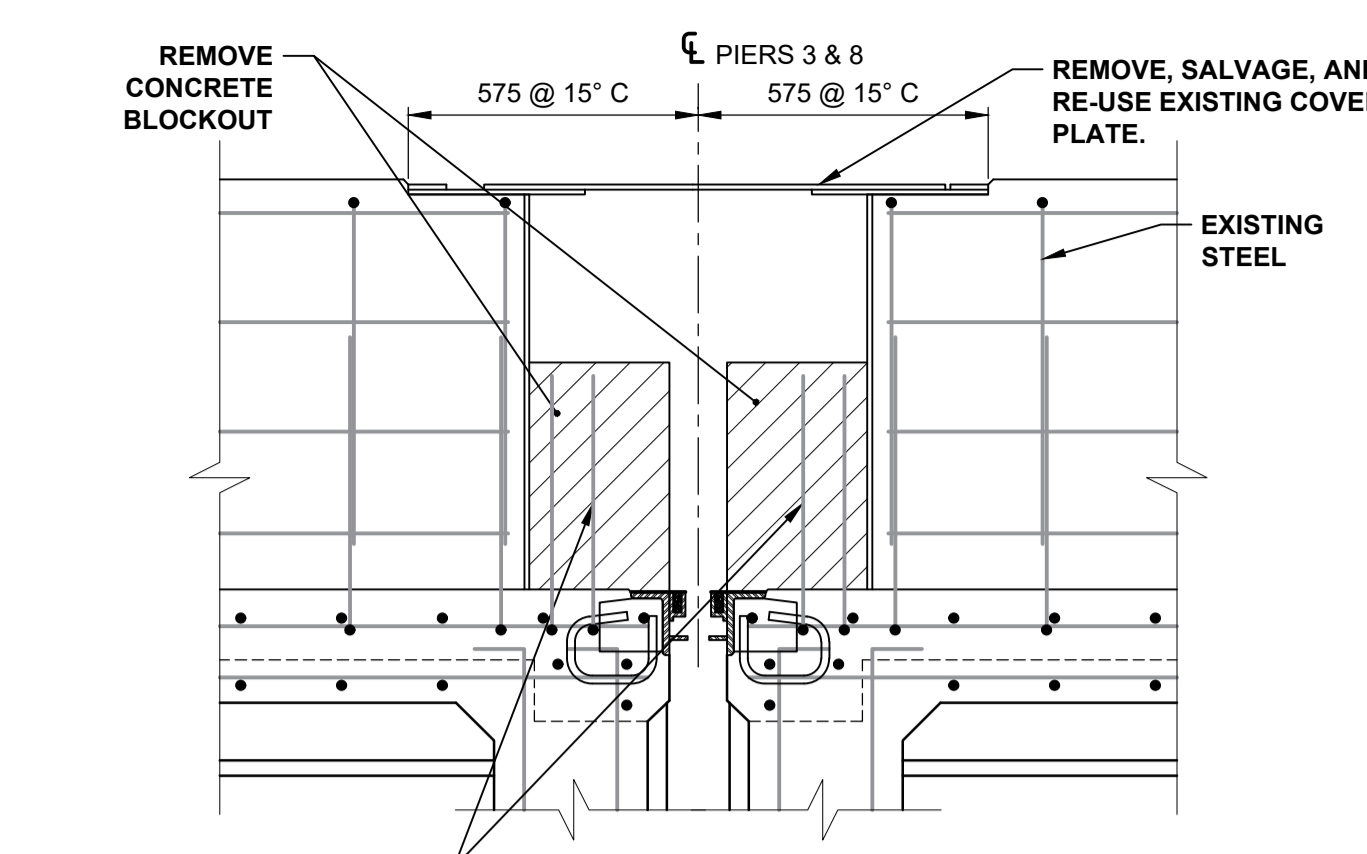


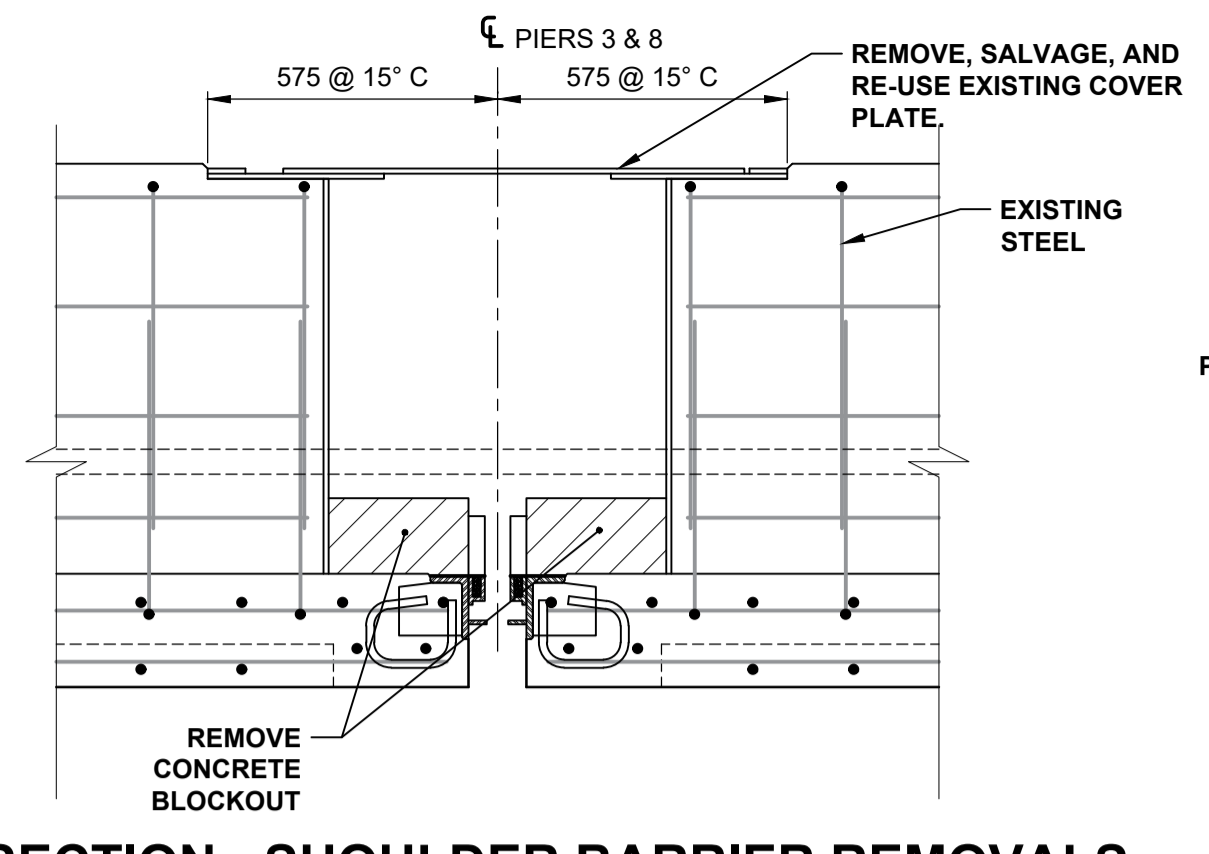
FILE NAME: 2021423-Nairn-DT-03.dwg Saved By: aheppner
 PLOT: 2/9/2021 3:04:43 PM
 A1 SIZE 594mm x 841mm



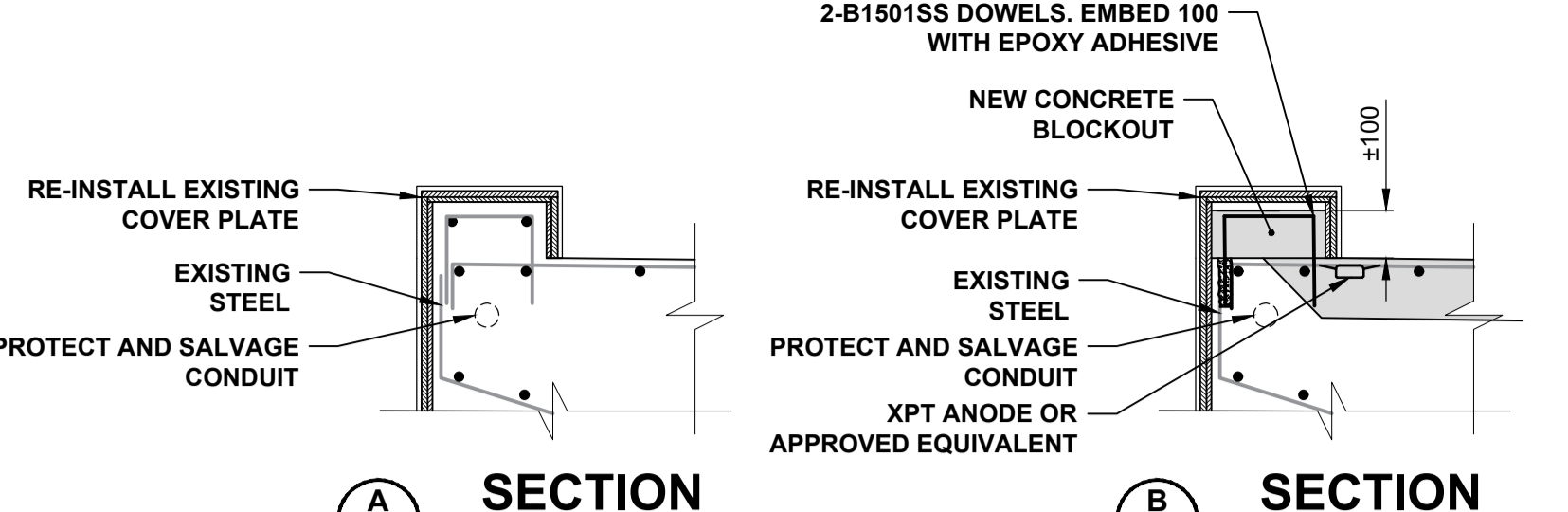
SECTION - CURB REMOVALS
 SCALE: 1:15



SECTION - MEDIAN BARRIER REMOVALS
 SCALE: 1:15

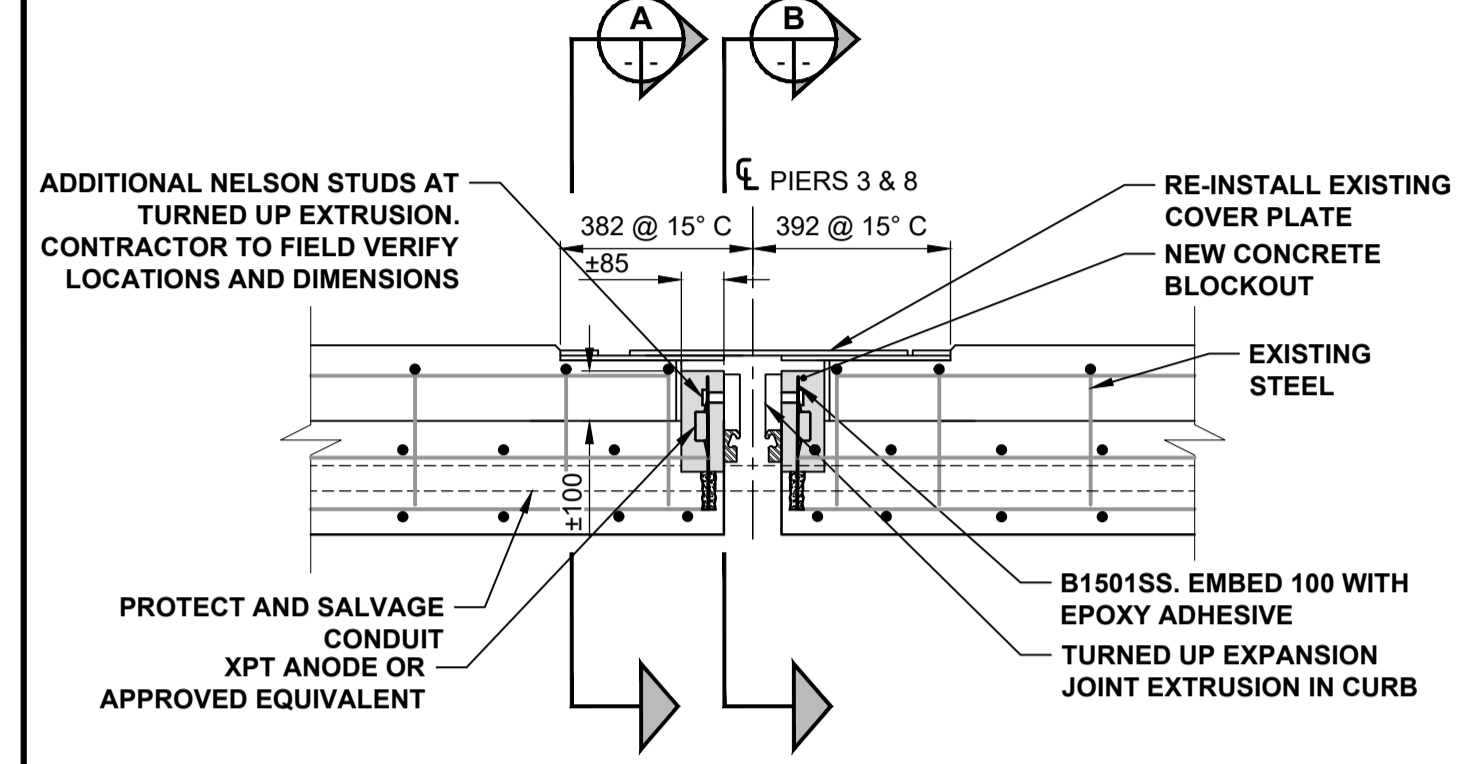


SECTION - SHOULDER BARRIER REMOVALS
 SCALE: 1:15

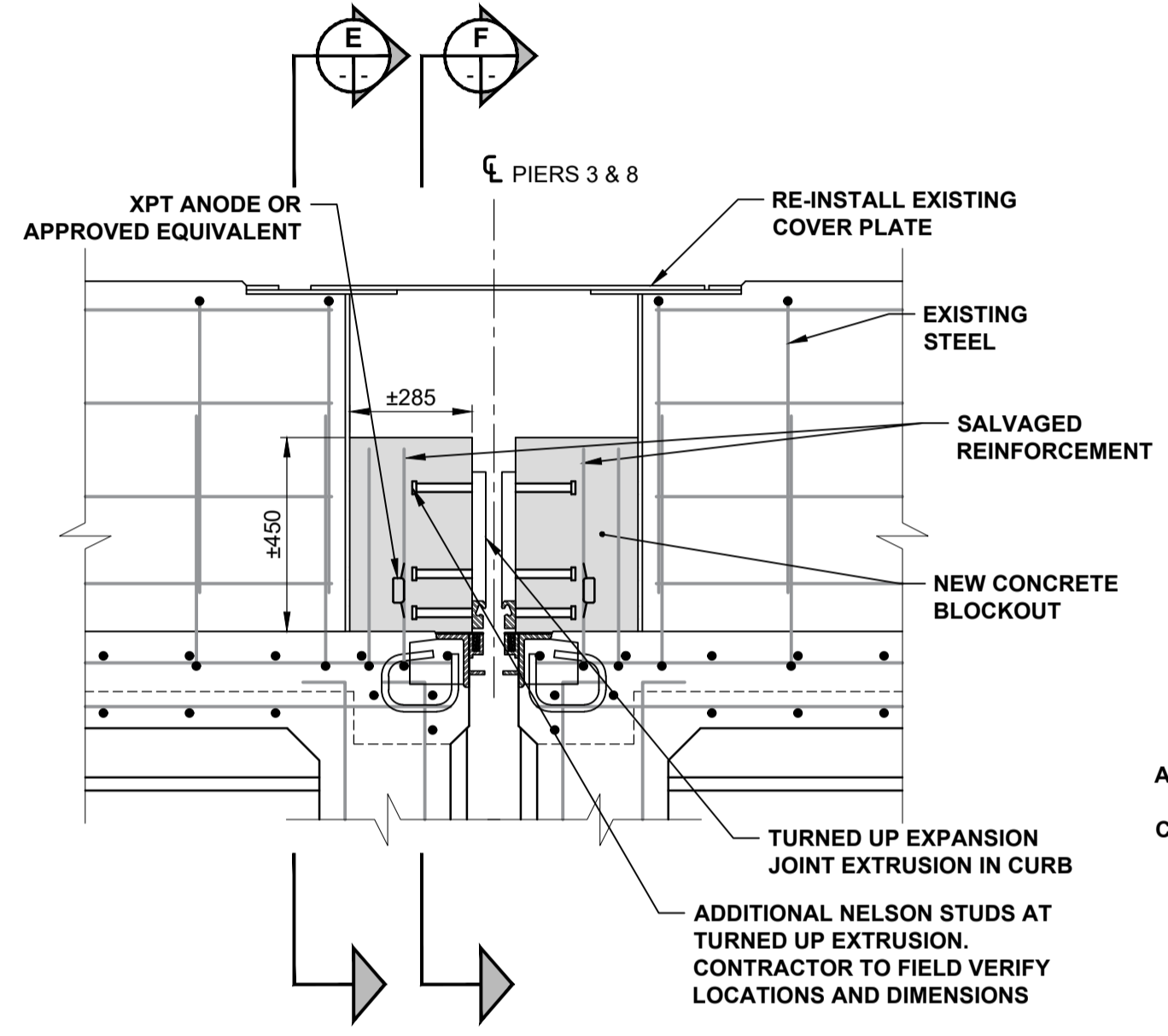


SECTION A
 SCALE: 1:15

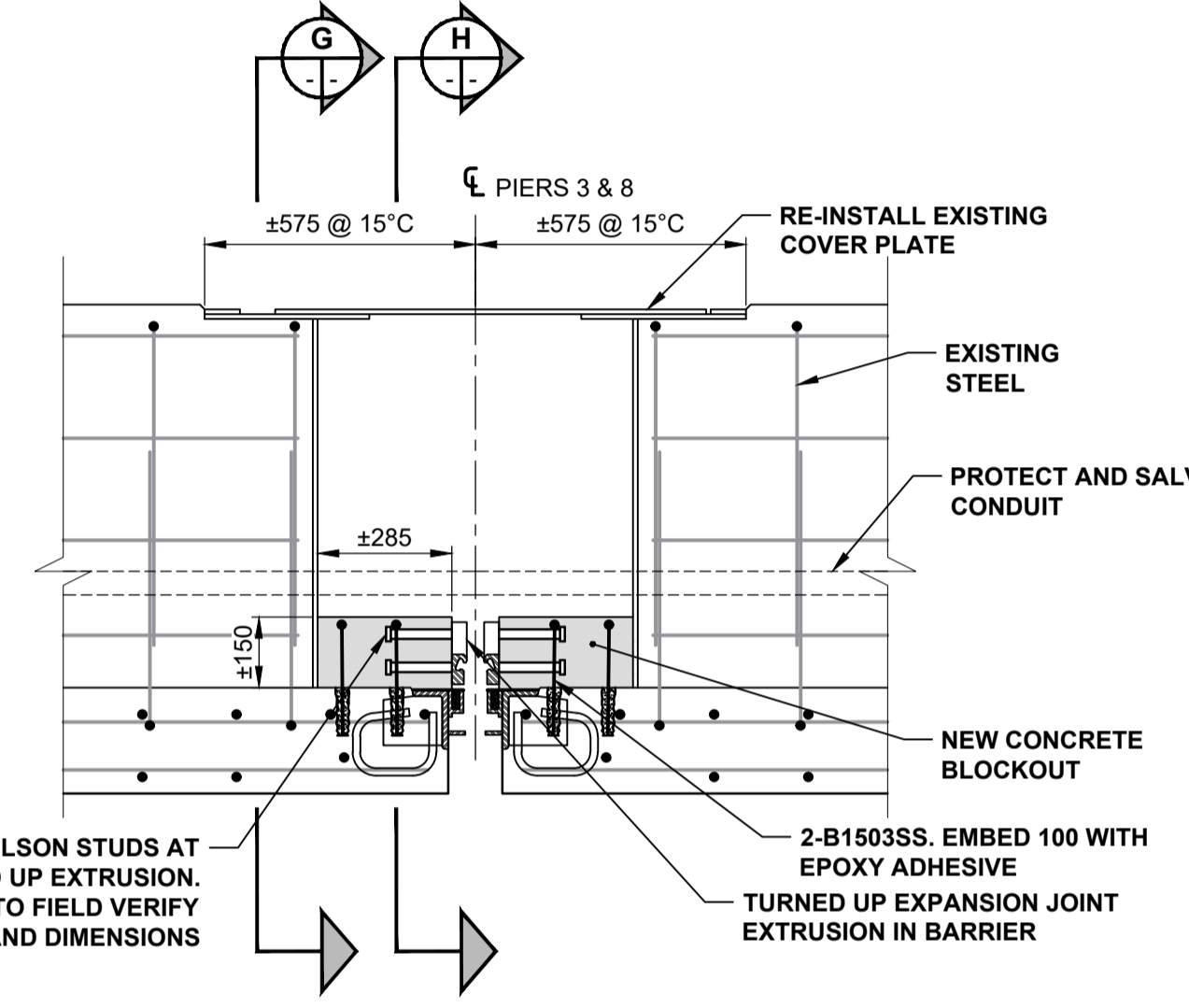
SECTION B
 SCALE: 1:15



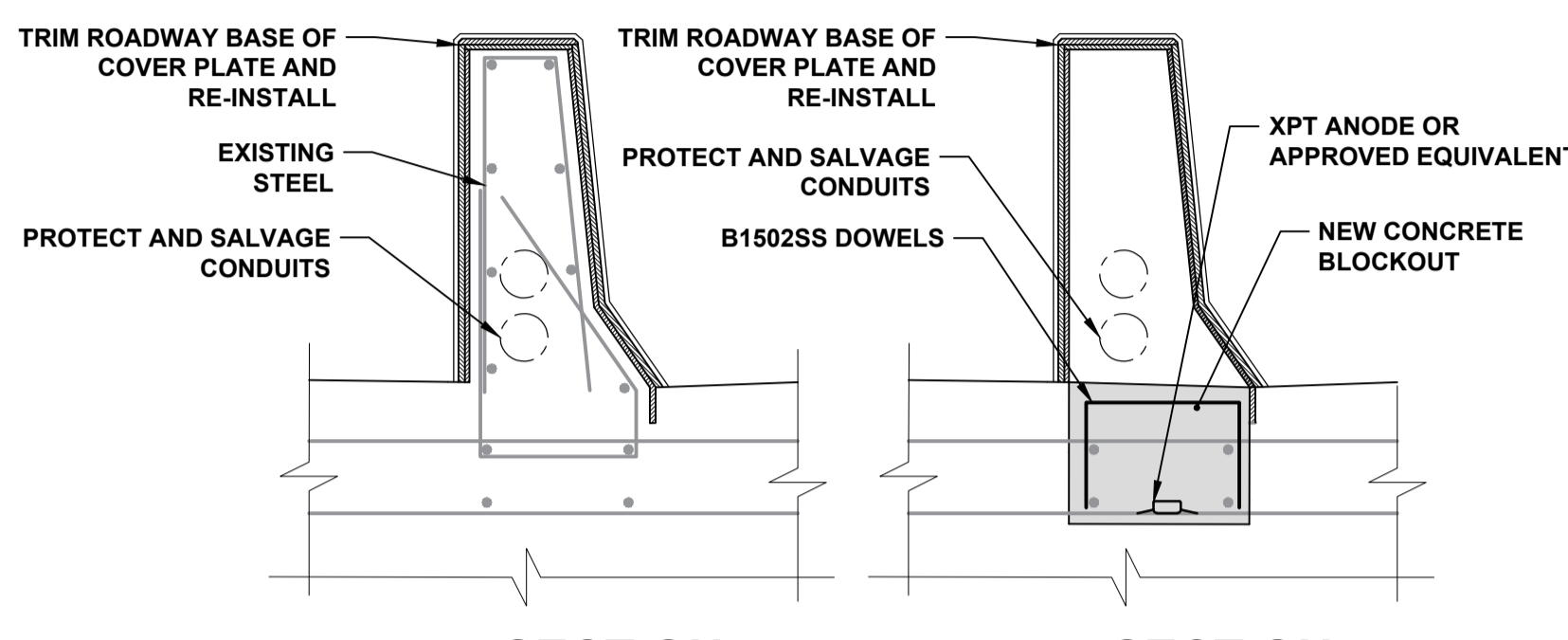
SECTION - UPDATED CURB
 SCALE: 1:15



SECTION - UPDATED MEDIAN BARRIER
 SCALE: 1:15

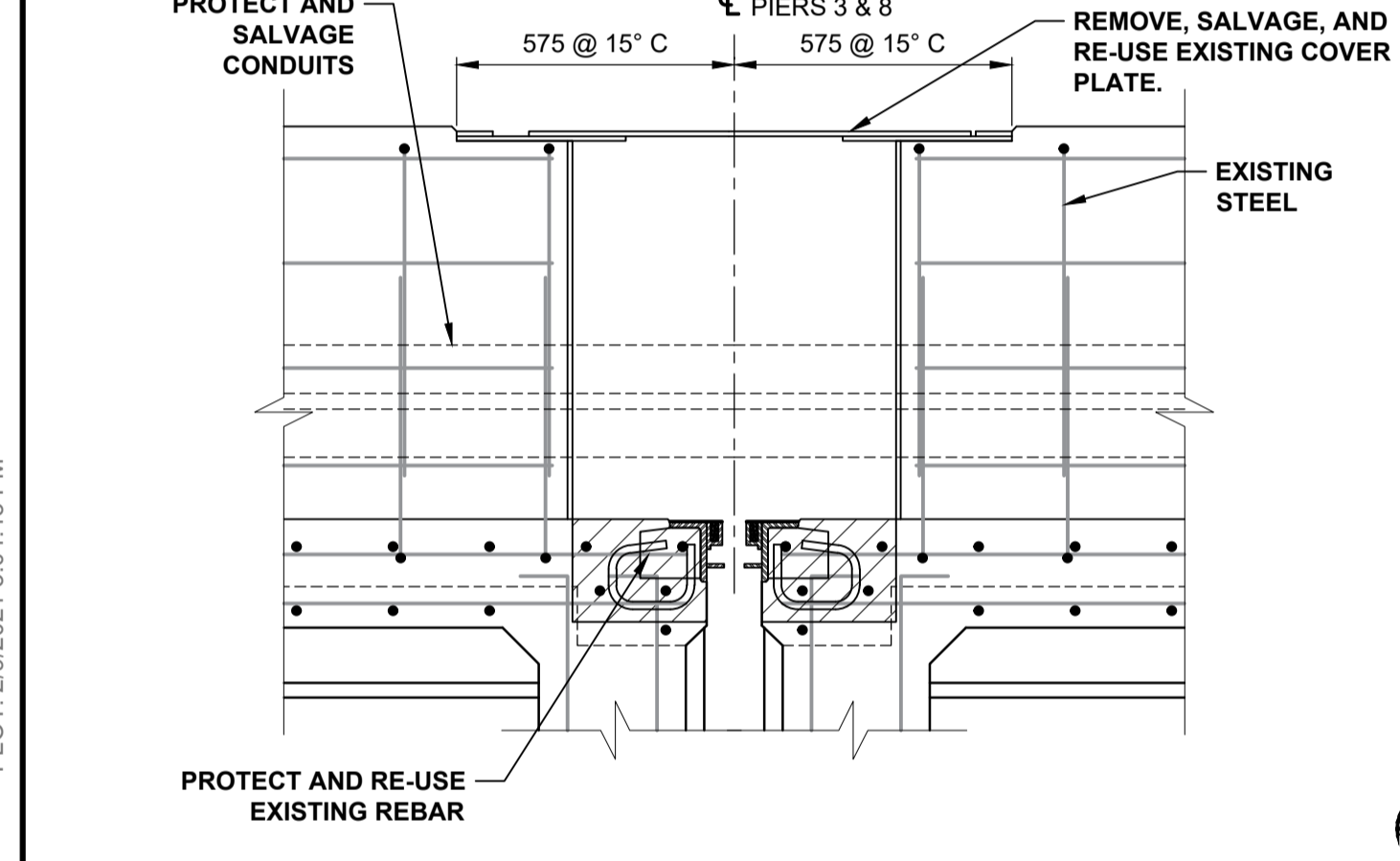


SECTION - UPDATED SHOULDER BARRIER
 SCALE: 1:15

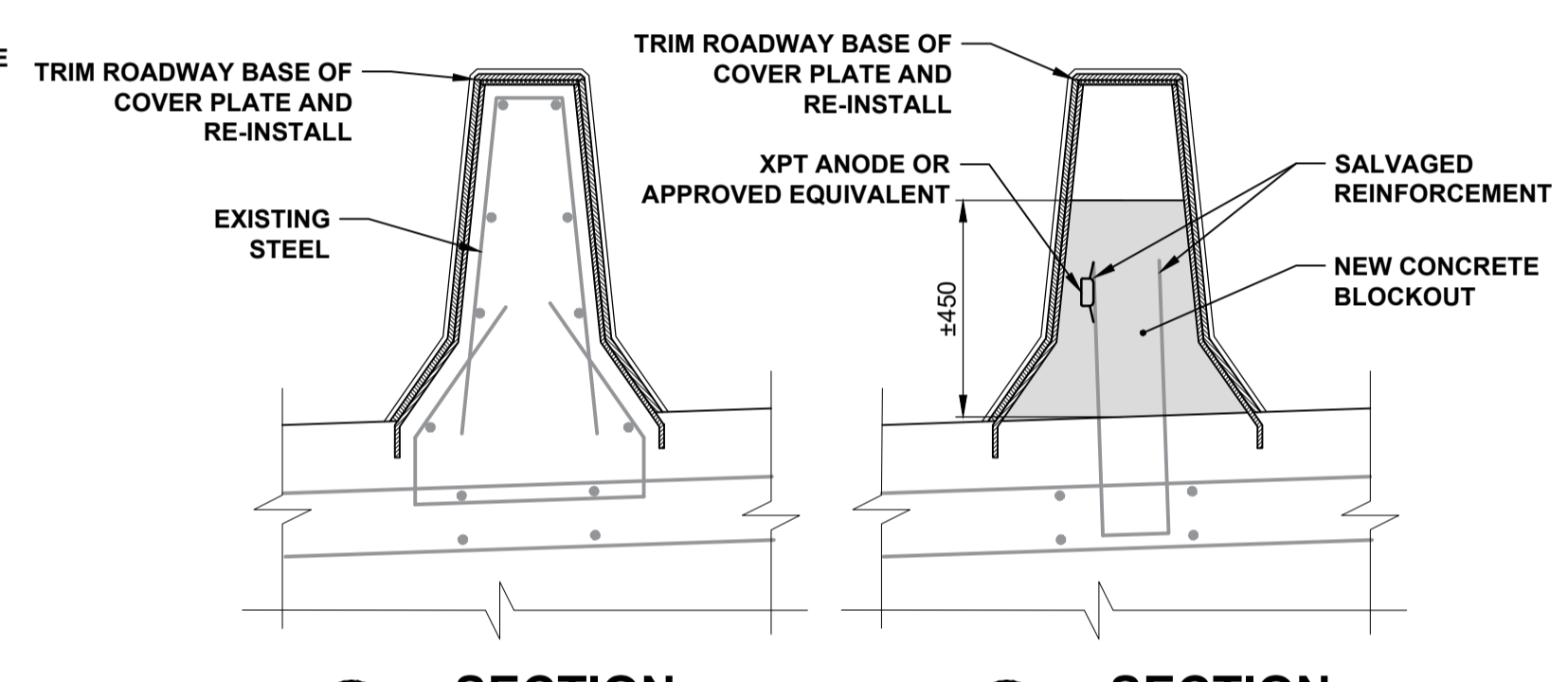


SECTION C
 SCALE: 1:15

SECTION D
 SCALE: 1:15

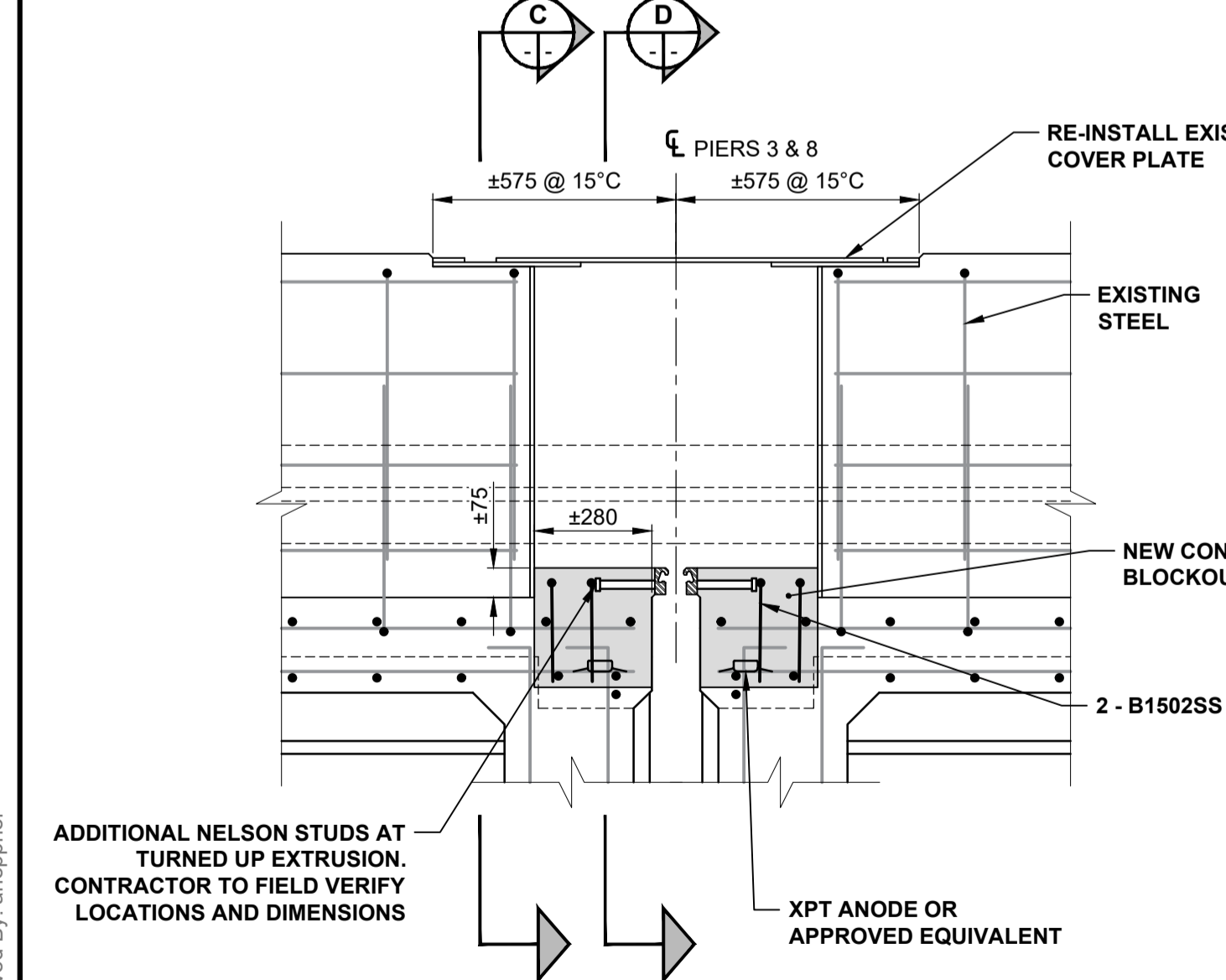


SECTION - SIDEWALK BARRIER REMOVALS
 SCALE: 1:15

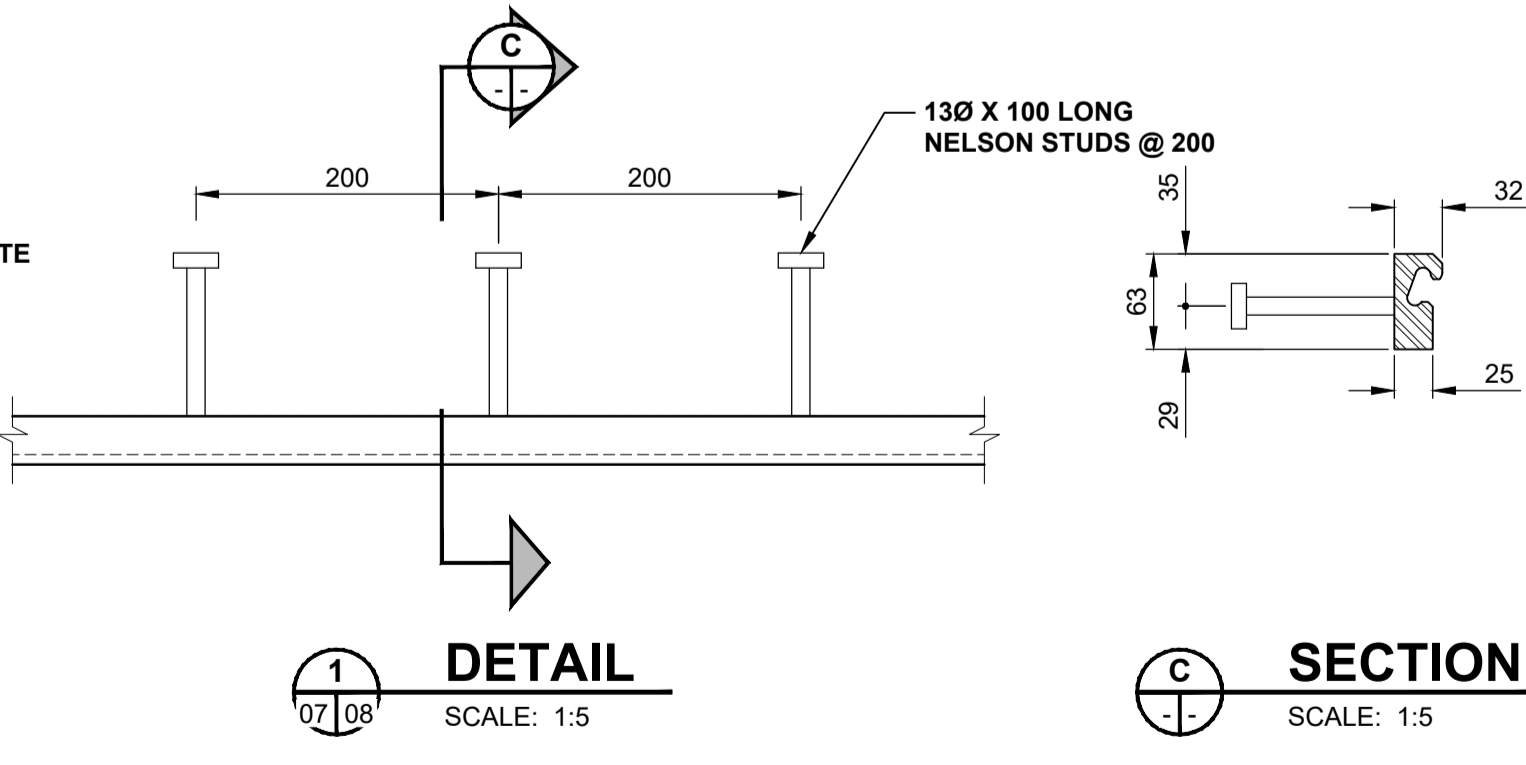


SECTION E
 SCALE: 1:15

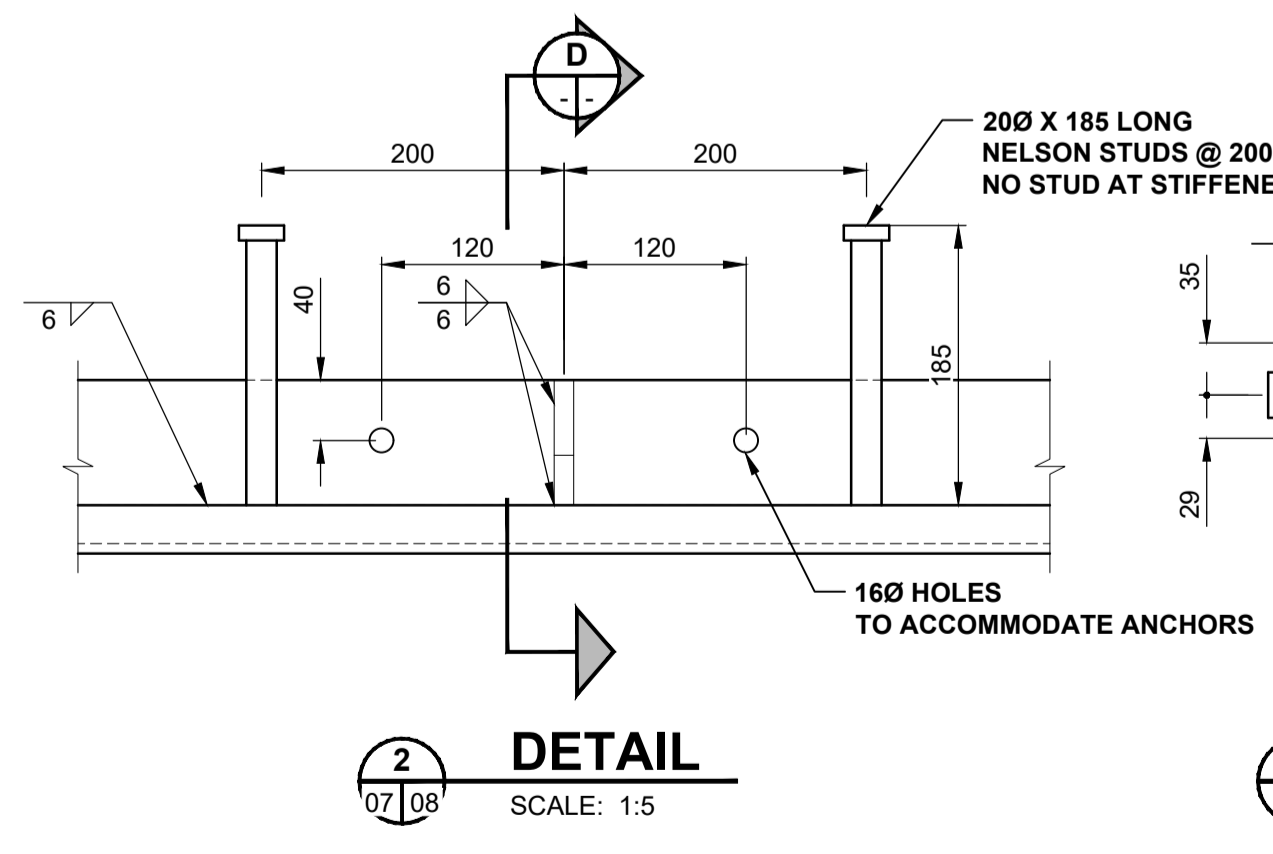
SECTION F
 SCALE: 1:15



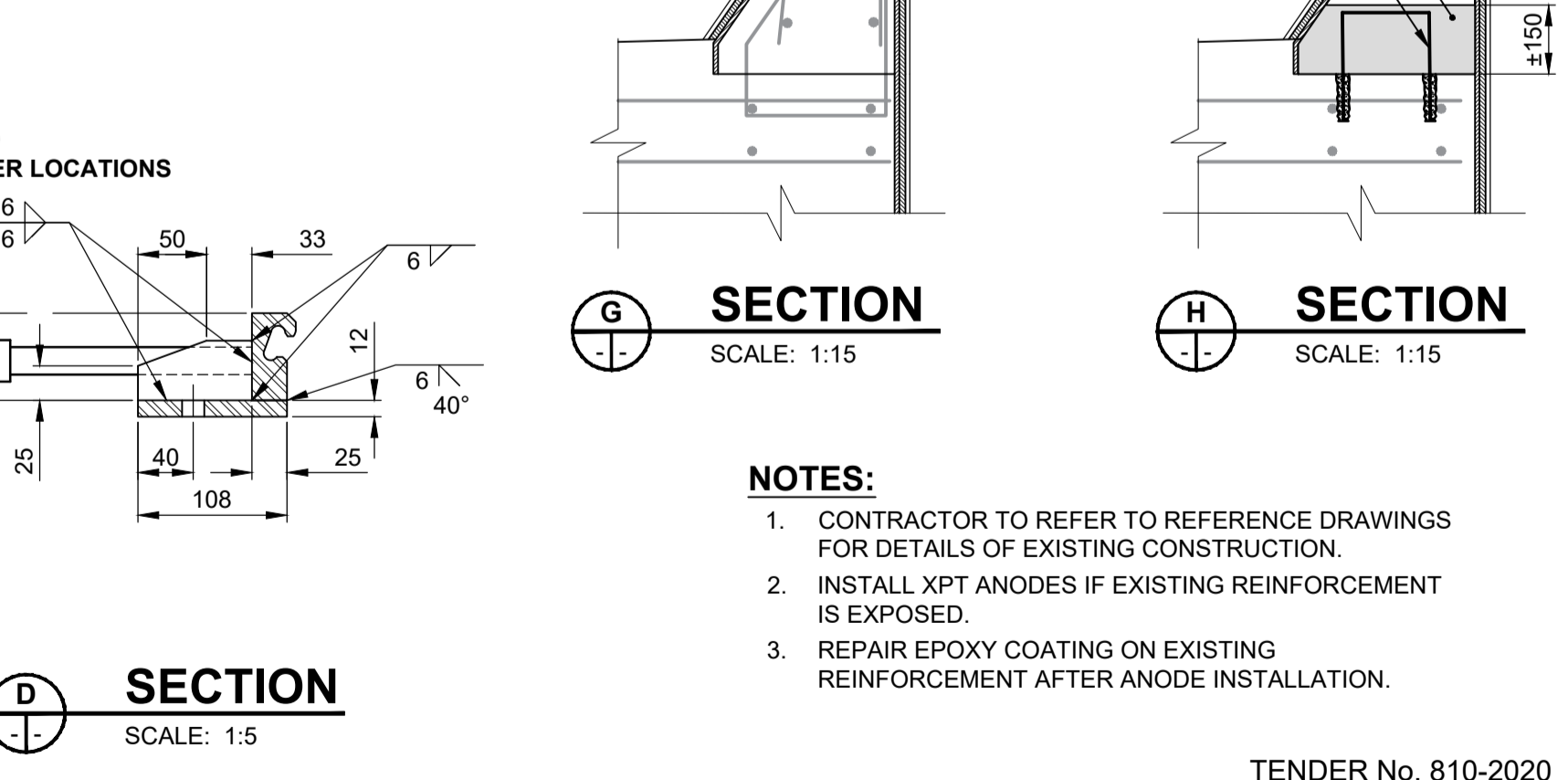
SECTION - UPDATED SIDEWALK BARRIER
 SCALE: 1:15



DETAIL 1
 SCALE: 1:5



DETAIL 2
 SCALE: 1:5



SECTION G
 SCALE: 1:15

SECTION H
 SCALE: 1:15

- NOTES:**
- CONTRACTOR TO REFER TO REFERENCE DRAWINGS FOR DETAILS OF EXISTING CONSTRUCTION.
 - INSTALL XPT ANODES IF EXISTING REINFORCEMENT IS EXPOSED.
 - REPAIR EPOXY COATING ON EXISTING REINFORCEMENT AFTER ANODE INSTALLATION.

ENGINEERS GEOSCIENTISTS MANITOBA
 Certificate of Authorization
MORRISON HERSHFIELD
 No. 1736

METRIC
 WHOLE NUMBERS INDICATE MILLIMETRES
 DECIMALIZED NUMBERS INDICATE METRES

LOCATION APPROVED UNDERGROUND STRUCTURES

BM 28-022 N.W. Cor. Nairn Ave. & Grey St. in Valve Box. Bolt in 4.8 m Conc. pile, 2.4 m E. of W.L. of Grey St. & 0.6 m N. of N.L. of Nairn Ave. produced from the E.
 ELEV 231.341 m

DESIGNED BY	AGG	CHECKED BY	BE
DRAWN BY	AH	APPROVED BY	BE
C	ISSUED FOR TENDER	21/02/09	BE
B	ISSUED FOR REVIEW	21/02/04	BE
A	ISSUED FOR REVIEW	21/01/18	BE
No.	REVISIONS	Y/M/M/DD	BY

DATE 21/01/15

MORRISON HERSHFIELD

DESIGNED BY AGG CHECKED BY BE
 DRAWN BY AH APPROVED BY BE

HOR SCALE AS SHOWN
 VERT SCALE AS SHOWN

RELEASED FOR CONSTRUCTION

DATE 21/01/15

PROFESSIONAL'S SEAL
PRELIMINARY DRAWING
 NOT TO BE USED FOR CONSTRUCTION

CONSULTANT FILE NAME
 2021423-NAIRN-DT-03.DWG

THE CITY OF WINNIPEG
 PUBLIC WORKS DEPARTMENT
 ENGINEERING DIVISION

NAIRN AVENUE OVERPASS DECK REHABILITATION

PIER EXPANSION JOINT DETAILS 2 OF 3

CITY DRAWING NUMBER B121-21-08
 SHEET 08 OF 12
 DRAWING NUMBER 08

TENDER No. 810-2020